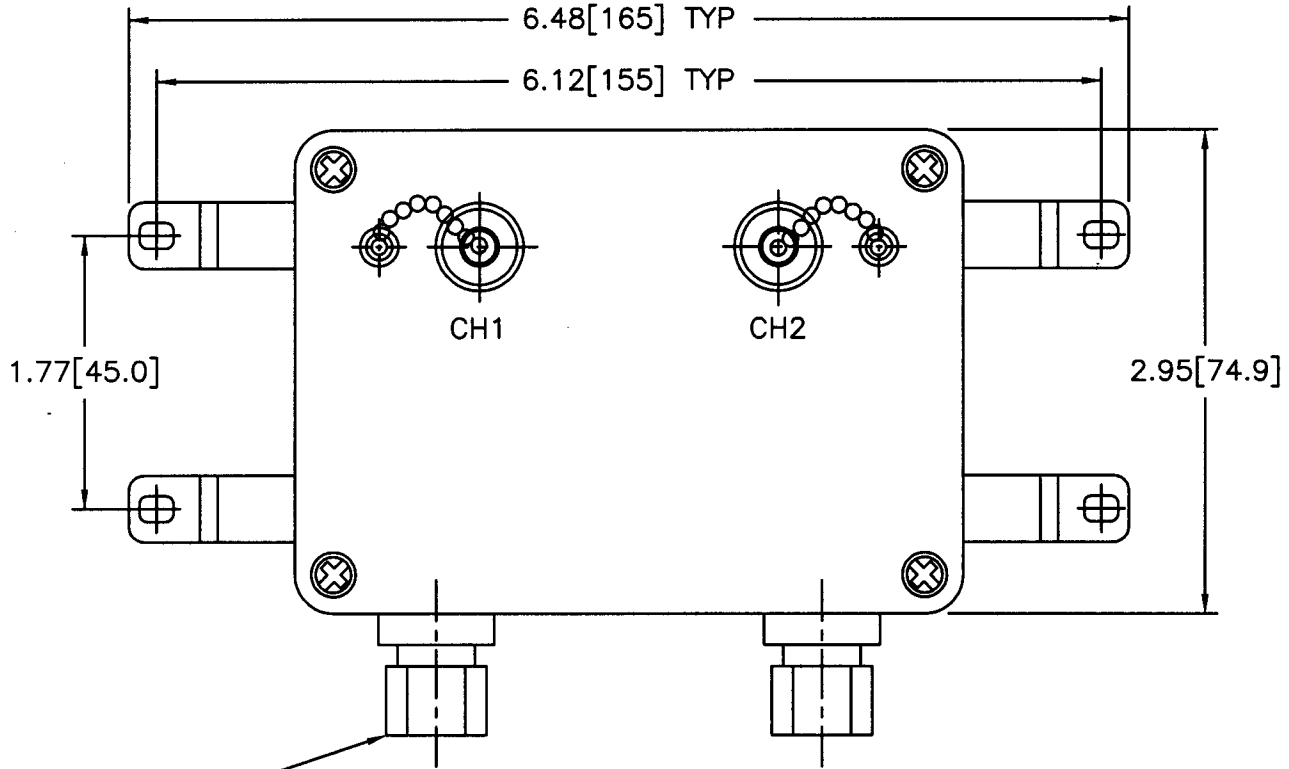


8521

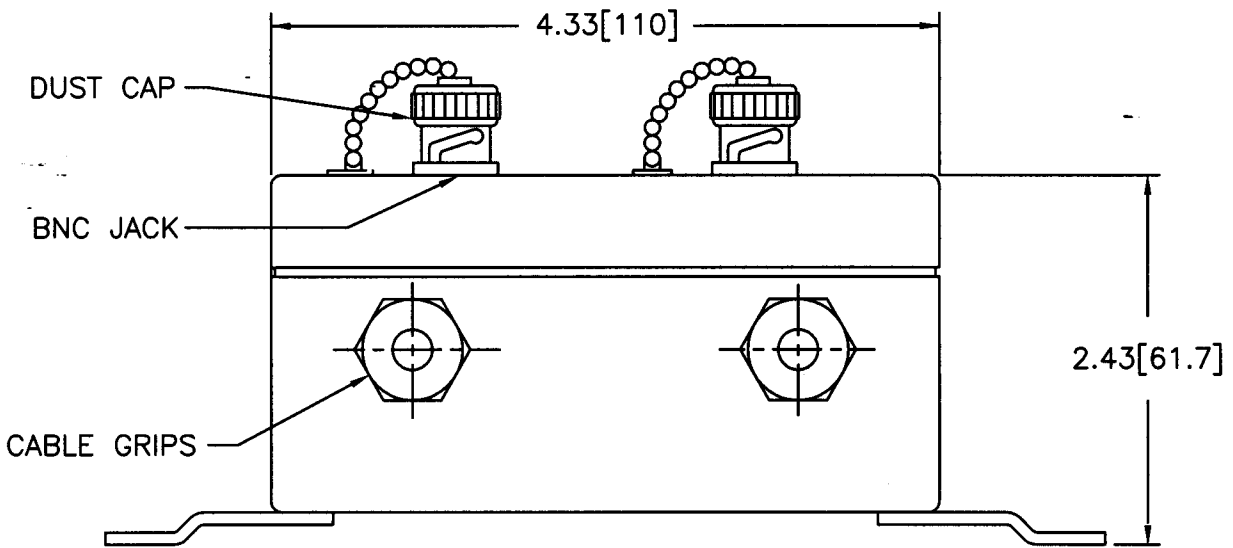
PCB Piezotronics Inc. claims proprietary rights in the information disclosed herein. Neither it nor any reproduction thereof will be disclosed to others without written consent of PCB Piezotronics Inc.

APPLICATION		
NEXT ASS'Y	USED ON	VAR

REVISIONS				
REV	DESCRIPTION	ECN	DATE	APP'D
B	REVISED PER ECN	22244	5/27/05	<i>Amber</i>



CABLE ENTRY



DUST CAP

BNC JACK

CABLE GRIPS

UNLESS SPECIFIED TOLERANCES		DRAWN	<i>RCE</i>	6/1/05	MFG	<i>P. Dolz</i>	 3425 WALDEN AVE. DEPEW, NY 14043 (716) 684-0001 EMAIL: SALES@PCB.COM
DIMENSIONS IN INCHES	DIMENSIONS IN MILLIMETERS (IN PARENTHESIS)	CHK'D	<i>DM</i>	6/2/05	ENGR	<i>CE</i>	
DECIMALS XX ±.01	DECIMALS XX ±0.3	APP'D	<i>NR</i>	6/6/05	SALES	<i>BN</i>	
XXX ±.005	XXX ±0.13	TITLE	OUTLINE DRAWING				
ANGLES ±2 DEGREES	ANGLES ±2 DEGREES	MODEL 691A51/02		CODE IDENT. NO.		52681	
FILLETS AND RADII .003 - .005	FILLETS AND RADII (0.07 - 0.13)	2 CHANNEL BREAKOUT ENCLOSURE				DWG. NO. 8521	
DD011 REV. B 03/13/98						SCALE: 0.8 SHEET 1 OF 1	