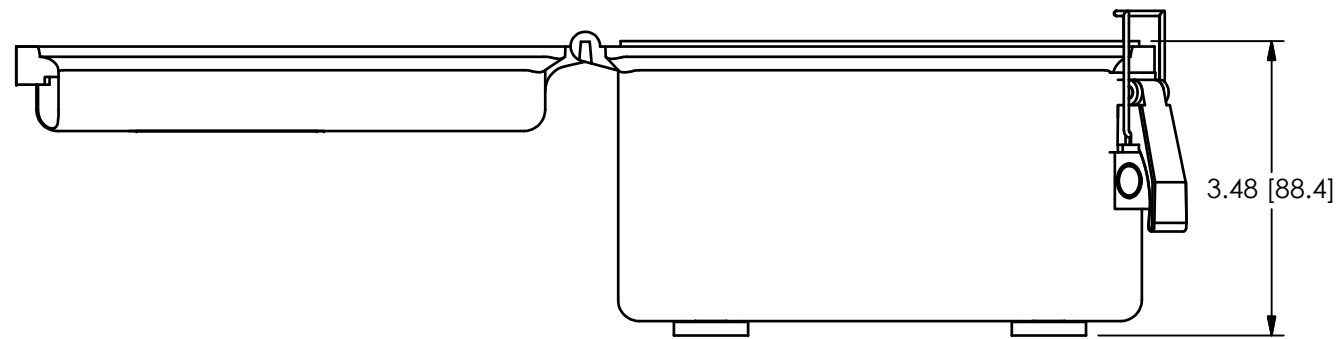
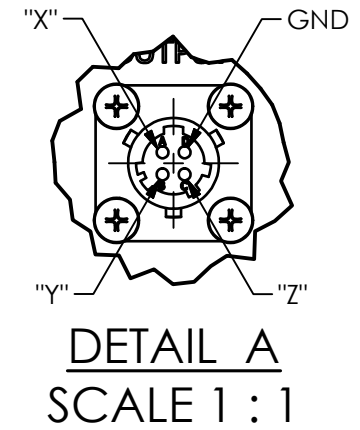
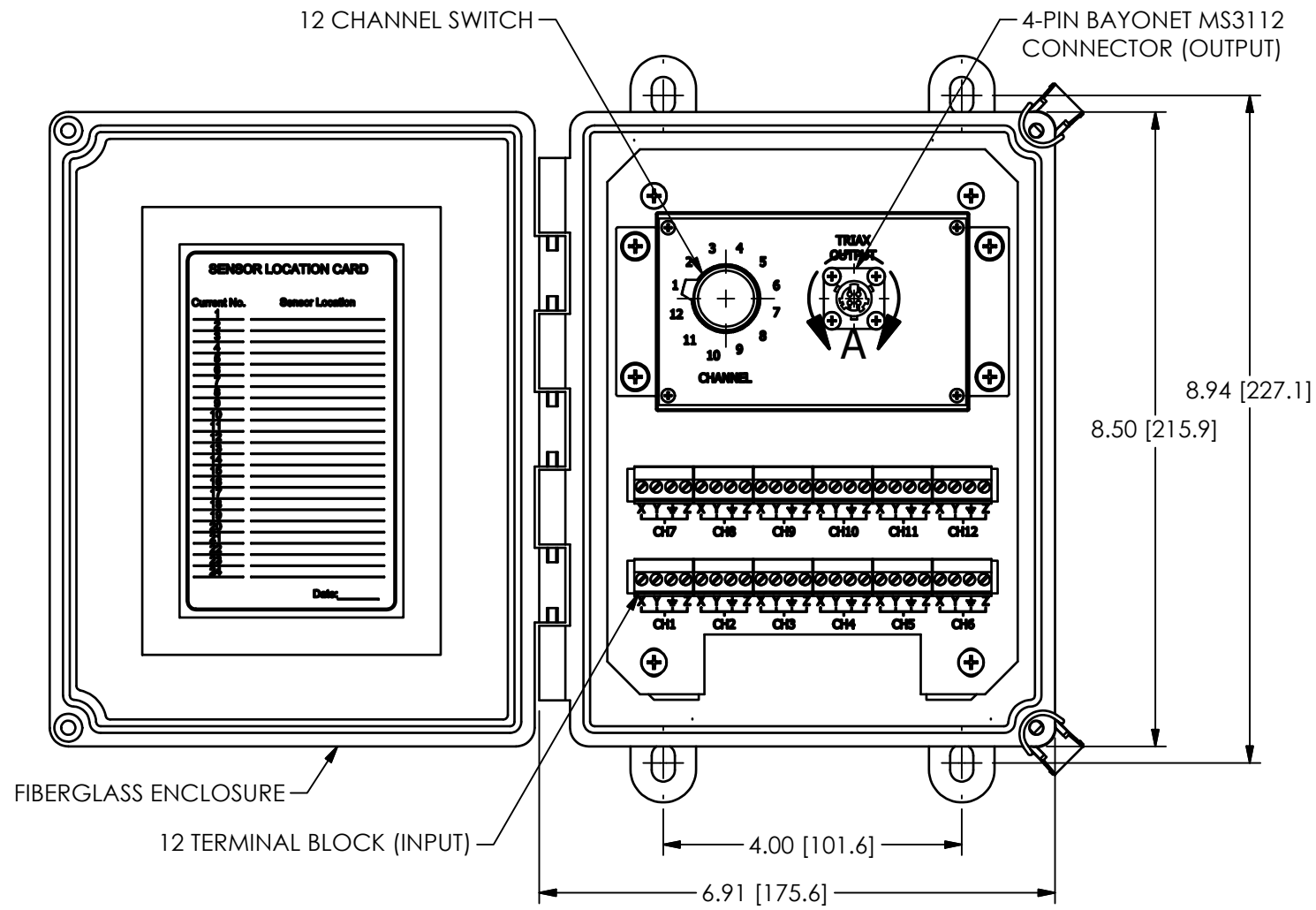


PCB Piezotronics Inc. claims proprietary rights in the information disclosed hereon. Neither it nor any reproduction thereof will be disclosed to others without the written consent of PCB Piezotronics Inc.

59496

REVISIONS		
REV	DESCRIPTION	DIN
NR	RELEASED TO DRAFTING	43192



UNLESS OTHERWISE SPECIFIED TOLERANCES ARE:		DRAWN		CHECKED		ENGINEER		PCB PIEZOTRONICS™	
DIMENSIONS IN INCHES	DIMENSIONS IN MILLIMETERS [IN BRACKETS]	JDM	7/31/14	ECB	7/31/14	GG5	7/31/14	3425 WALDEN AVE. DEPEW, NY 14043 (716) 684-0001 E-MAIL: sales@pcb.com	
DECIMALS XX ±0.03 XXX ±0.10	DECIMALS X ±0.8 XX ±0.25	TITLE OUTLINE DRAWING MODEL 691A80 VIBRATION INTERFACE ENCLOSURE						CODE IDENT. NO. 52681	DWG. NO. 59496
ANGLES ± 2 DEGREES	ANGLES ± 2 DEGREES							SCALE: .44X	
FILLETS AND RADII .003 - .005	FILLETS AND RADII 0.07 - 0.13								

jmorawski 16:34 7/31/2014