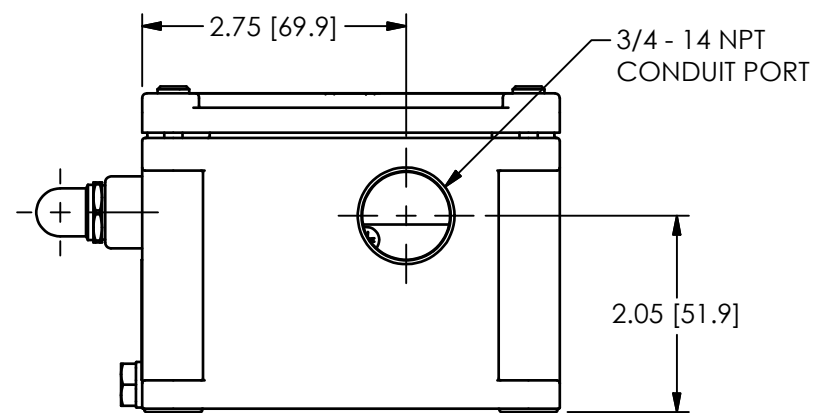
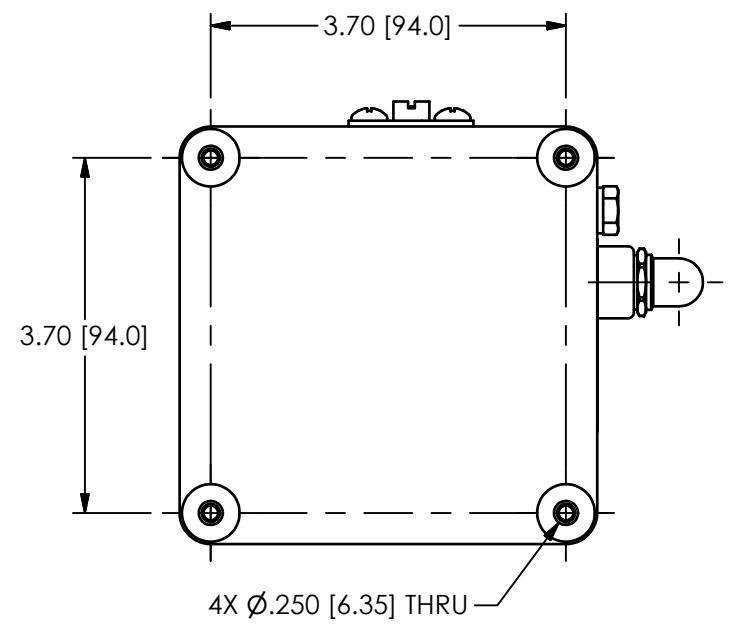
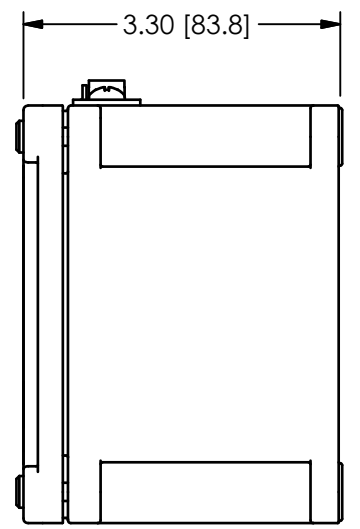
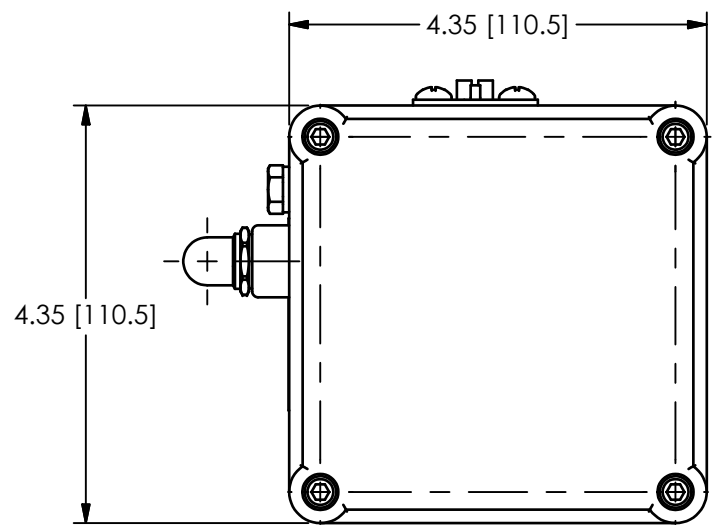
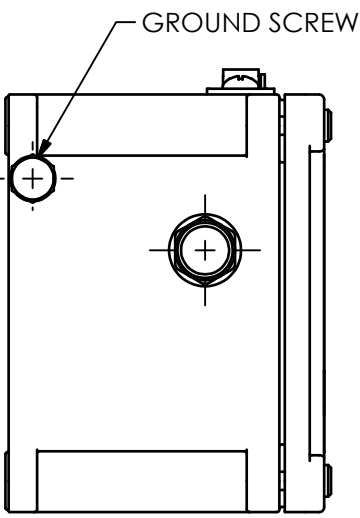
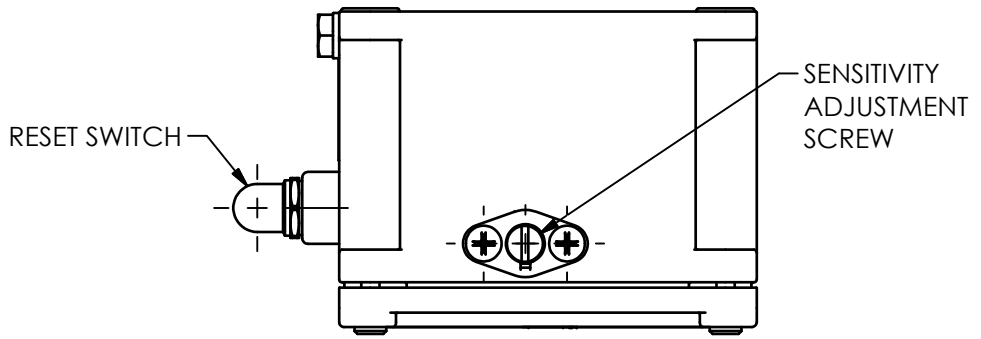


56470

PCB Piezotronics Inc. claims proprietary rights in the information disclosed hereon. Neither it nor any reproduction thereof will be disclosed to others without the written consent of PCB Piezotronics Inc.

REVISIONS		
REV	DESCRIPTION	DIN
C	ADDED NOTE 1	46319



1.) THREADED PLUG NOT SHOWN

UNLESS OTHERWISE SPECIFIED TOLERANCES ARE:		DRAWN		CHECKED		ENGINEER		PCB PIEZOTRONICS™	
DIMENSIONS IN INCHES	DIMENSIONS IN MILLIMETERS [IN BRACKETS]	KRM	1/4/17	JDM	1/4/17	JDB	1/4/17	3425 WALDEN AVE. DEPEW, NY 14043 (716) 684-0001 E-MAIL: sales@pcb.com	
DECIMALS XX ±.03 XXX ±.010	DECIMALS X ±0.8 XX ±0.25	TITLE		OUTLINE DRAWING MECHANICAL VIBRATION SWITCH 685A09, A19, A29, A39		CODE IDENT. NO. 52681		DWG. NO. 56470	
ANGLES ± 2 DEGREES	ANGLES ± 2 DEGREES					SCALE: .5X		SHEET 1 OF 1	
FILLETS AND RADII .003 - .005	FILLETS AND RADII 0.07 - 0.13								