

2

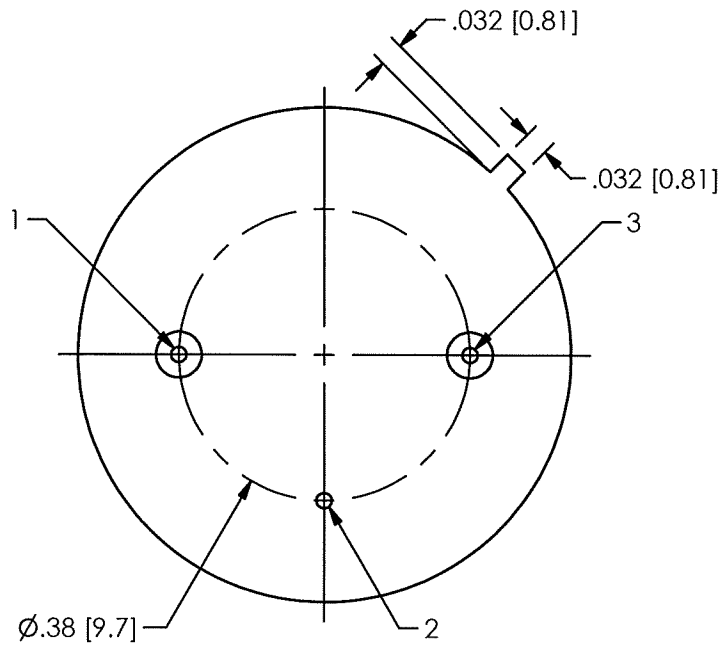
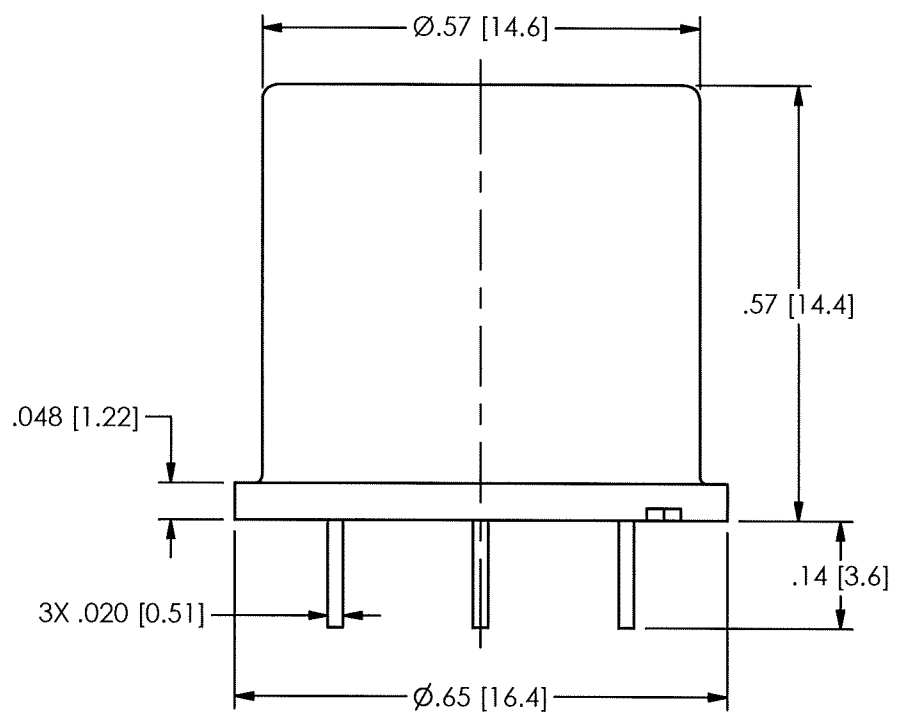
1

PCB Piezotronics Inc. claims proprietary rights in the information disclosed hereon. Neither it nor any reproduction thereof will be disclosed to others without the written consent of PCB Piezotronics Inc.

REVISIONS

REV	DESCRIPTION	DIN
NR	RELEASED TO DRAFTING	35624

49905



CHARGE: 1 - OUTPUT
 2 - GROUND
 3 - N/C

ICP®: 1 - OUTPUT/POWER
 2 - GROUND
 3 - N/C

3-WIRE: 1 - OUTPUT
 2 - GROUND
 3 - POWER

UNLESS OTHERWISE SPECIFIED TOLERANCES ARE:

DIMENSIONS IN INCHES	DIMENSIONS IN MILLIMETERS [IN BRACKETS]
DECIMALS XX ±.03 XXX ±.010	DECIMALS X ±.08 XX ±.025
ANGLES ± 2 DEGREES	ANGLES ± 2 DEGREES
FILLETS AND RADII .003 - .005	FILLETS AND RADII 0.07 - 0.13

DRAWN	CHECKED	ENGINEER
WDF 5/5/11	ECB 5/5/11	LAB 5/5/11

TITLE
 OUTLINE DRAWING
 MODEL 663 SERIES
 ACCELEROMETER

PCB PIEZOTRONICS^{INC}
 3425 WALDEN AVE. DEPEW, NY 14043
 (716) 684-0001 E-MAIL: sales@pcb.com

CODE IDENT. NO. 52681	DWG. NO. 49905
SCALE: 4X	SHEET 1 OF 1

2

1