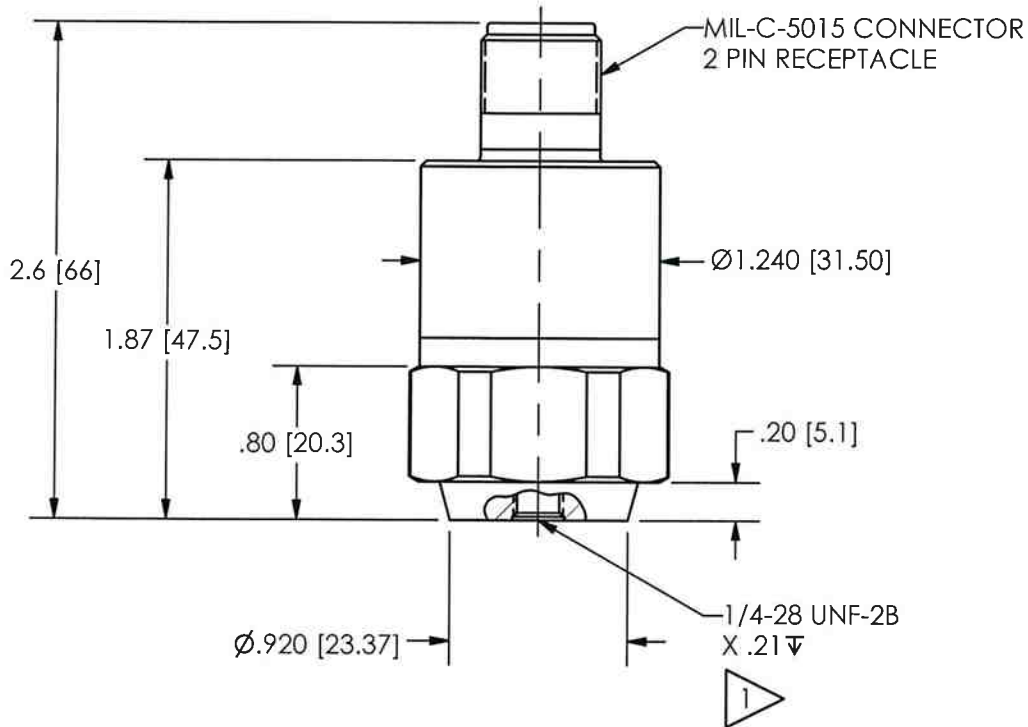
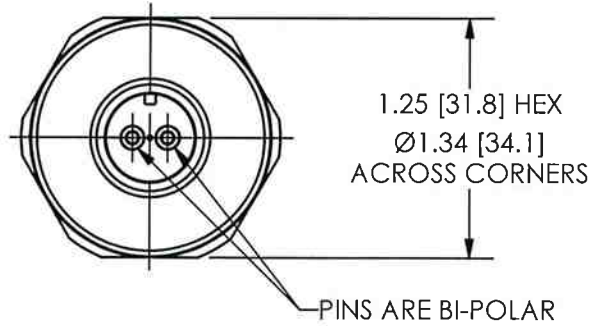


PCB Piezotronics Inc. claims proprietary rights in the information disclosed hereon. Neither it nor any reproduction thereof will be disclosed to others without the written consent of PCB Piezotronics Inc.

REVISIONS

REV	DESCRIPTION	ECN	APP'D
NR	RELEASED TO DRAFTING		ECB 8/2007

36897



1 MODEL 081A40 MOUNTING STUD SUPPLIED AS STANDARD. FOR M PREFIX MODELS (M649A01) MODEL MO81A61 (M6 X 1.0 TO 1/4-28) MOUNTING STUD REPLACES 081A40.

UNLESS OTHERWISE SPECIFIED TOLERANCES ARE:		DRAWN	MDF 8/6/07	MFG	JB 8/7/07	 3425 WALDEN AVE. DEPEW, NY 14043 (716) 684-0001 E-MAIL: sales@pcb.com
DIMENSIONS IN INCHES	DIMENSIONS IN MILLIMETERS [IN BRACKETS]	CHK'D	ECB 8/6/07	ENGR	MD 8/7/07	
DECIMALS XX ± .03	DECIMALS X ± 0.8	APP'D	SAR 8/7/07	SALES	AS 8-7-07	
XXX ± .010	XX ± 0.25	TITLE				
ANGLES ± 2 DEGREES	ANGLES ± 2 DEGREES	OUTLINE DRAWING MODEL 649A01 RECIPROCATING MACHINERY PROTECTOR				CODE IDENT. NO. 52681 DWG. NO. 36897
FILLETS AND RADII .003 - .005	FILLETS AND RADII [0.07 - 0.13]					SCALE: FULL SHEET 1 OF 1