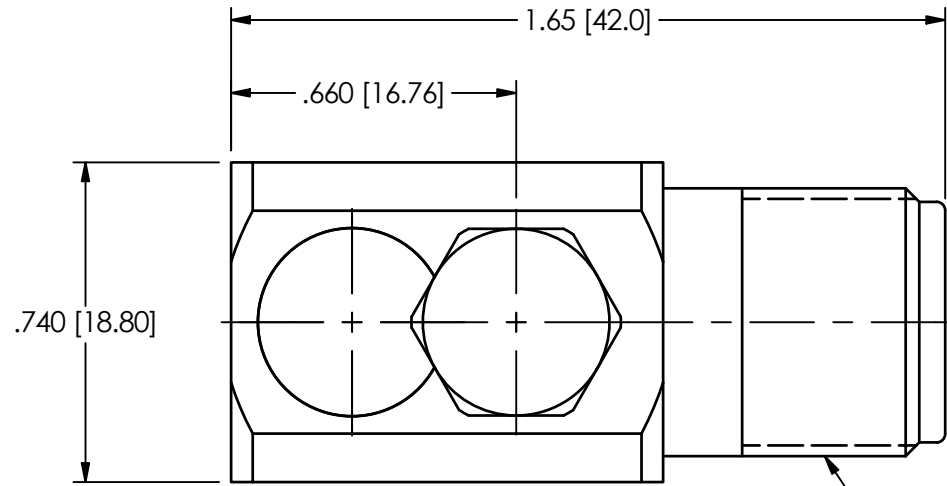


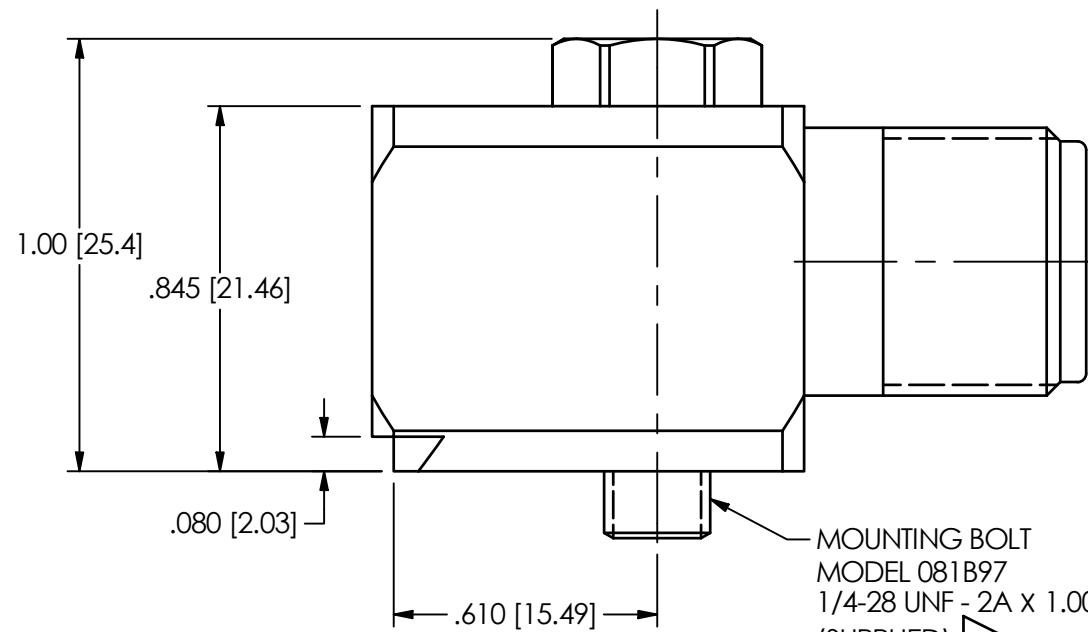
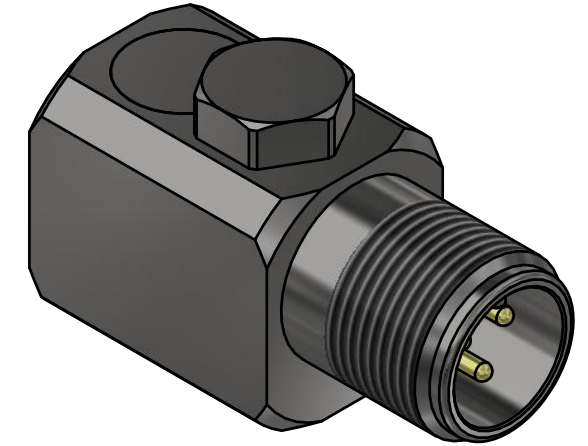
PCB Piezotronics Inc. claims proprietary rights in the information disclosed hereon. Neither it nor any reproduction thereof will be disclosed to others without the written consent of PCB Piezotronics Inc.

36467

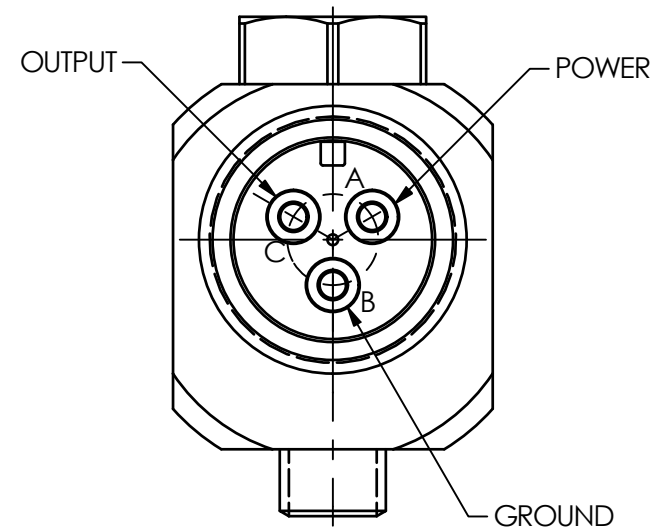
REVISIONS		
REV	DESCRIPTION	DIN
A	MODIFY TITLE BLOCK	51059



ELECTRICAL CONNECTOR
5/8-24 UNEF - 2A
3-PIN (MIL-C-5015)



MOUNTING BOLT
MODEL 081B97
1/4-28 UNF - 2A X 1.00 [25.4] LONG
(SUPPLIED) 1



1 FOR METRIC ACCELEROMETER USE MOUNTING BOLT MODEL M081B97, M6x1.00-6g X 1.00 [25.4] LONG

UNLESS OTHERWISE SPECIFIED TOLERANCES ARE:		DRAWN		CHECKED		ENGINEER		 3425 WALDEN AVE. DEPEW, NY 14043 (716) 684-0001 E-MAIL: sales@pcb.com	
DIMENSIONS IN INCHES	DIMENSIONS IN MILLIMETERS [IN BRACKETS]	JJF	9/14/20	JJF	9/14/20	GCD	9/14/20		
DECIMALS XX ±.03 XXX ±.010	DECIMALS X ±0.8 XX ±0.25	TITLE OUTLINE DRAWING 3-WIRE ACCELEROMETER							
ANGLES ± 2 DEGREES	ANGLES ± 2 DEGREES								
FILLETS AND RADII .003 - .005	FILLETS AND RADII 0.07 - 0.13	CODE IDENT. NO. 52681		DWG. NO. 36467		SCALE: 2.25X		SHEET 1 OF 1	