

2

1

APPLICATION

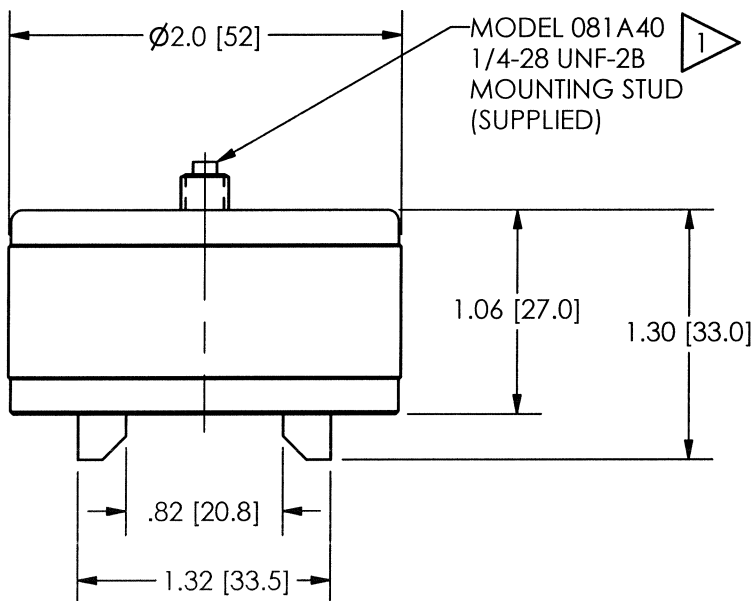
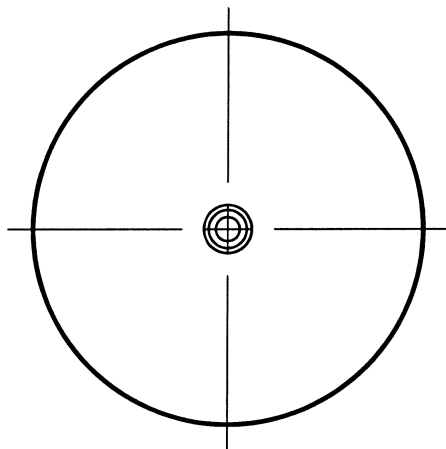
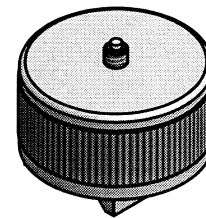
REVISIONS

NEXT ASS'Y	USED ON	VAR

REV	DESCRIPTION	ECN	APP'D
NR	RELEASED TO DRAFTING		ECB 10/6/06

34133

PCB Piezotronics Inc. claims proprietary rights in the information disclosed hereon. Neither it nor any reproduction thereof will be disclosed to others without the written consent of PCB Piezotronics Inc.



2.) PULL STRENGTH = 85 LBS.

1 FOR METRIC VERSION MODEL M080A 133, THREAD IS M6 X 1.0-6H AND MOUNTING STUD M081A61 REPLACES 081A40.

UNLESS OTHERWISE SPECIFIED TOLERANCES ARE:

DIMENSIONS IN INCHES	DIMENSIONS IN MILLIMETERS [IN BRACKETS]
DECIMALS XX ± .03 XXX ± .010 ANGLES ± 2 DEGREES	DECIMALS X ± 0.8 XX ± 0.25 ANGLES ± 2 DEGREES

DRAWN	<i>mDF</i> 10/10/06	MFG	<i>JB</i> 10/10/06
CHK'D	<i>ECB</i> 10/6/06	ENGR	<i>ms</i> 10/11/06
APP'D	<i>NR</i> 10/10/06	SALES	<i>gpm</i> 10/10/06

PCB PIEZOTRONICS INC.

3425 WALDEN AVE. DEPEW, NY 14043
(716) 684-0001 E-MAIL: sales@pcb.com

TITLE
OUTLINE DRAWING
MODEL 080A 133, M080A 133
MAGNET

CODE IDENT. NO. 52681	DWG. NO. 34133
-----------------------	----------------

SCALE: FULL SHEET 1 OF 1

B

B

A

A

2

1