

2

1

APPLICATION

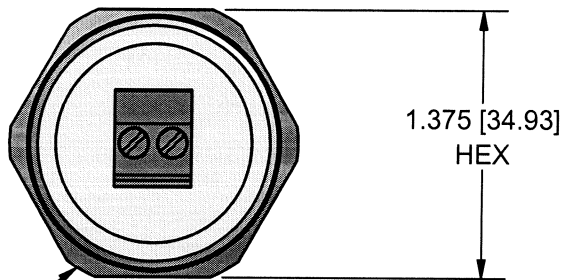
REVISIONS

NEXT ASSY	USED ON	VAR
	64XB7X	

REV	DESCRIPTION	ECN	APP'D
NR	RELEASED TO DRAFTING		
A	REVISED PER ECN	22197	<i>Dm6/05</i>

27394

PCB Piezotronics Inc. claims proprietary rights in the information disclosed hereon. Neither it nor any reproduction thereof will be disclosed to others without the written consent of PCB Piezotronics Inc.

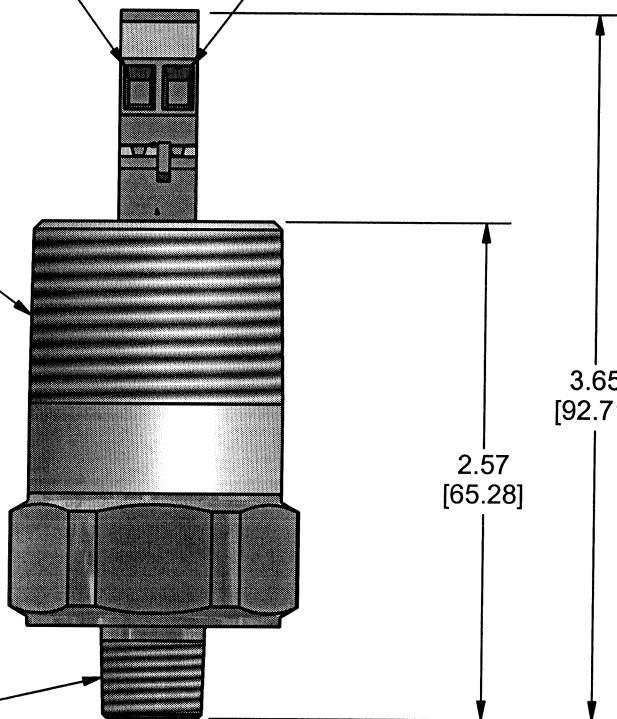


1.375 [34.93]
HEX

Ø1.500 [38.1]

POS 4-20 mA

NEG 4-20 mA



1" NPT

3.65
[92.71]

2.57
[65.28]

1/4" NPT
MOUNTING
THREAD

641B72	0-2 IPS RMS, 10Hz-1kHz
641B71	0-1 IPS RMS, 10Hz-1kHz
641B70	0-0.5 IPS RMS, 10Hz-1kHz
640B72	0-2 IPS PK, 3Hz-1kHz
640B71	0-1 IPS PK, 3Hz-1kHz
640B70	0-0.5 IPS PK, 3Hz-1kHz
MODEL	DESCRIPTION

UNLESS OTHERWISE SPECIFIED TOLERANCES ARE:

DIMENSIONS IN INCHES

DIMENSIONS IN MILLIMETERS
[IN BRACKETS]

DECIMALS XX ± .03
XXX ± .010
ANGLES ± 2 DEGREES

DECIMALS X ± 0.8
XX ± 0.25
ANGLES ± 2 DEGREES

DRAWN	<i>RCE 6/16/05</i>	MFG	<i>R.D. 6/17/05</i>
CHK'D	<i>SM 6/21/05</i>	ENGR	<i>JSD 6/17/05</i>
APP'D	<i>UP 6/21/05</i>	SALES	<i>EG 6/21/05</i>

PCB PIEZOTRONICS^{INC.}
 3425 WALDEN AVE. DEPEW, NY 14043
 (716) 684-0001 E-MAIL: sales@pcb.com

TITLE
OUTLINE DRAWING
 MODEL 64XB7X
 4-20 mA VELOCITY SENSOR

CODE IDENT. NO. 52681	DWG. NO. 27394
SCALE: FULL	SHEET 1 OF 1

2

1