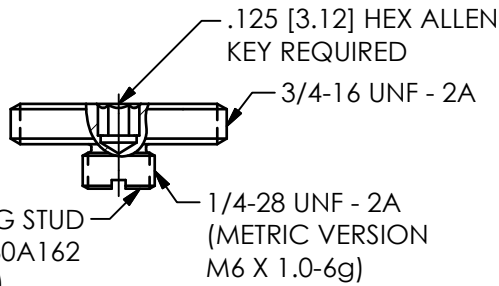
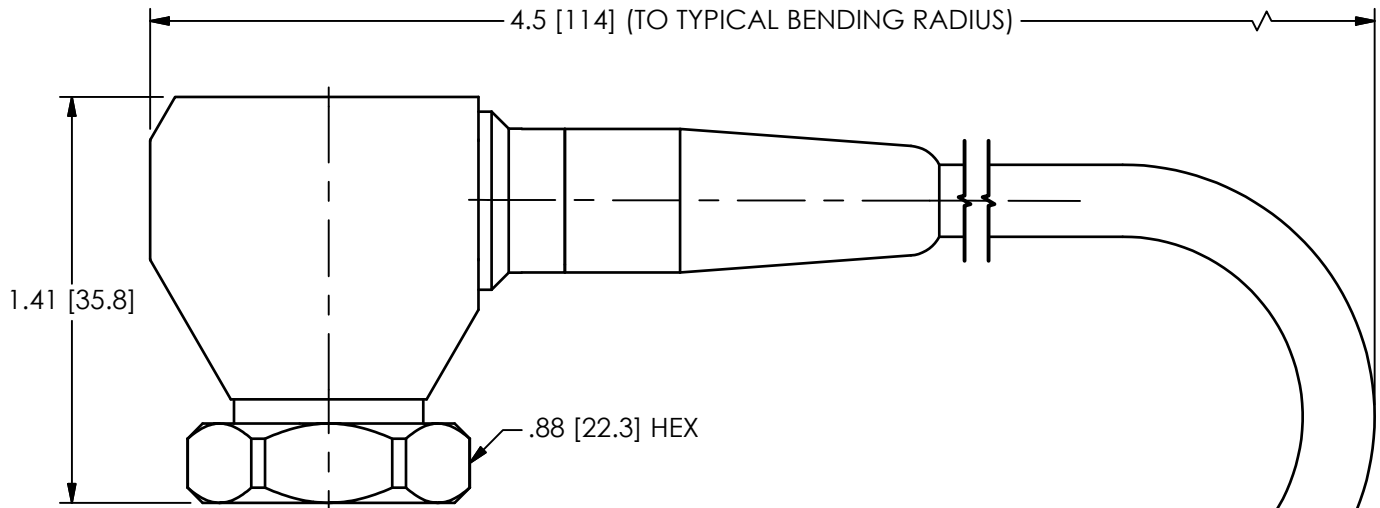
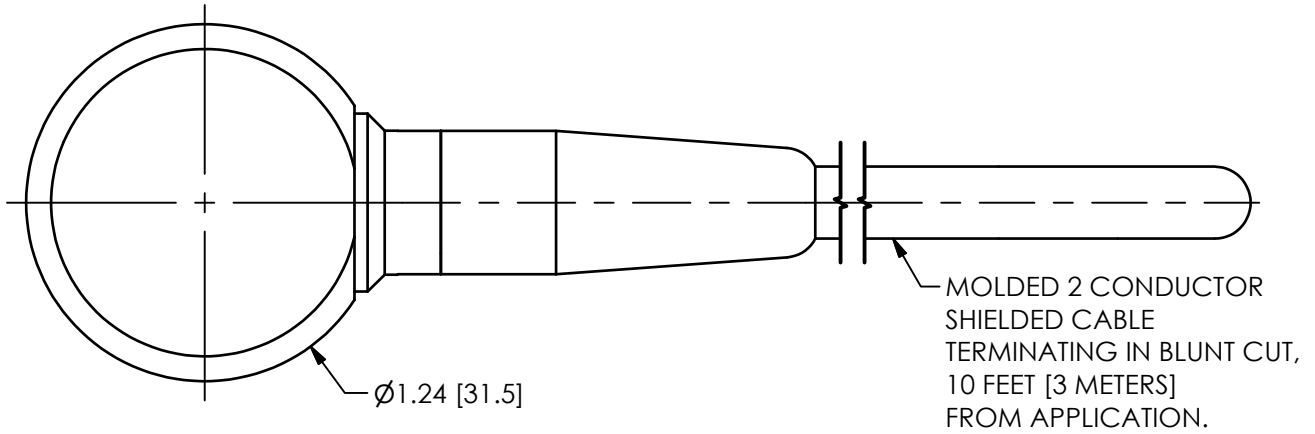


PCB Piezotronics Inc. claims proprietary rights in the information disclosed hereon. Neither it nor any reproduction thereof will be disclosed to others without the written consent of PCB Piezotronics Inc.

REVISIONS

REV	DESCRIPTION	DIN
B	UPDATED NOTE 1	43341

25777



BLUE:
NEGATIVE
4-20mA

RED:
POSITIVE
4-20mA

1 MOUNTING STUD
MODEL 080A162
(SUPPLIED)

1 FOR METRIC ACCELEROMETER (M642A1X, M643A1X, M647A1X, M648A1X), MOUNTING STUD MODEL M080A163A REPLACES 080A162, 3mm HEX ALLEN KEY REQUIRED.

UNLESS OTHERWISE SPECIFIED TOLERANCES ARE:

DIMENSIONS IN INCHES	DIMENSIONS IN MILLIMETERS [IN BRACKETS]
DECIMALS XX ±.03 XXX ±.010	DECIMALS X ± 0.8 XX ± 0.25
ANGLES ± 2 DEGREES	ANGLES ± 2 DEGREES
FILLETS AND RADII .003 - .005	FILLETS AND RADII 0.07 - 0.13

DRAWN		CHECKED		ENGINEER	
JDM	10/6/14	ECB	10/6/14	DRK	10/6/14
TITLE					
OUTLINE DRAWING MODEL 642A1X, M, 643A1X, M, 647A1X, M, 648A1X, M 4-20 VIBRATION SENSING TRANSMITTER					

PCB PIEZOTRONICS™
3425 WALDEN AVE. DEPEW, NY 14043
(716) 684-0001 E-MAIL: sales@pcb.com

CODE IDENT. NO. 52681	DWG. NO. 25777
SCALE: 1.5X	SHEET 1 OF 1

jmorawski 07:26 10/10/2014