

20631

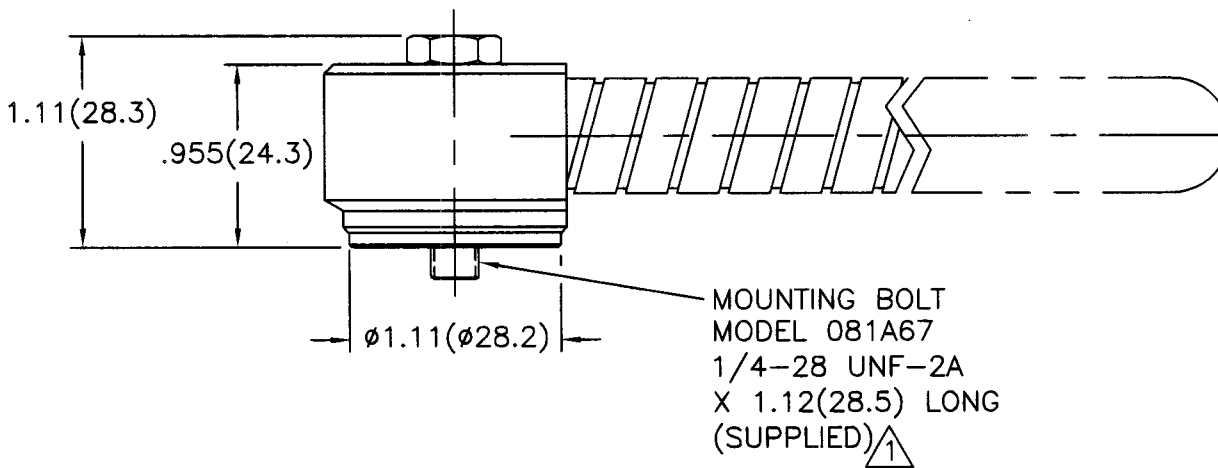
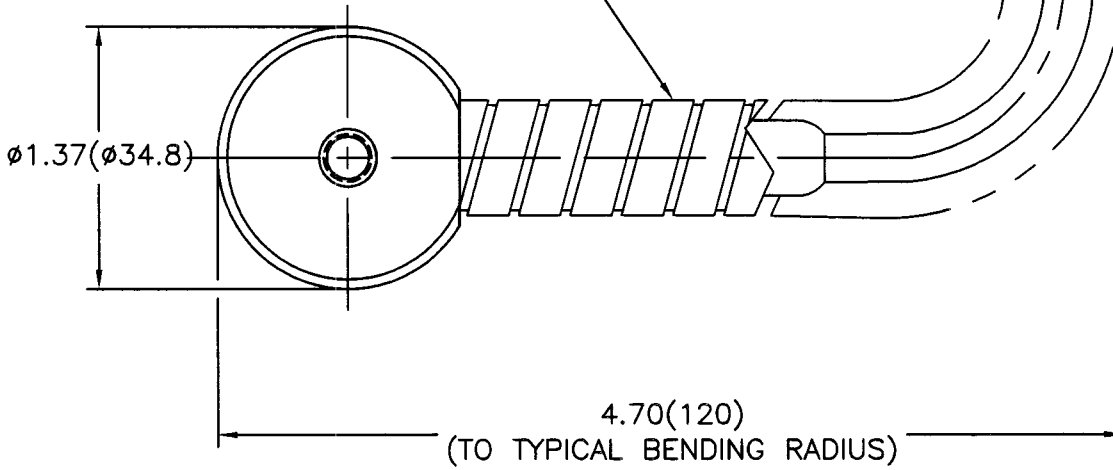
PCB Piezotronics Inc. claims proprietary rights in the information disclosed hereon. Neither it nor any reproduction thereof will be disclosed to others without written consent of PCB Piezotronics Inc.

APPLICATION		
NEXT ASS'Y	USED ON	VAR

REVISIONS				
REV	DESCRIPTION	ECN	DATE	APP'D
NR	RELEASED TO DRAFTING		9/23/02	<i>Om</i>

INTEGRAL ARMOR CABLE,
(MOLDED 2 CONDUCTOR
SHIELDED CABLE)
TERMINATING IN BLUNT CUT
10 FEET (3 METERS)
FROM APPLICATION.

BLUE:
GND
RED:
SIG/PWR



1 FOR METRIC RING ACCELEROMETER (MODEL M624B61) USE MOUNTING BOLT MODEL M081A67, M6 X 1.00-6g X 1.12(28.5) LONG.

UNLESS SPECIFIED TOLERANCES		DRAWN	CHK'D	APP'D	MFG	ENGR	SALES	DATE	PCB PIEZOTRONICS
DIMENSIONS IN INCHES	DIMENSIONS IN MILLIMETERS (IN PARENTHESIS)	<i>MWS</i>	<i>Om</i>	<i>N.S.</i>	<i>10/1/02</i>	<i>MA</i>	<i>ES</i>	<i>10/1/02</i>	3425 WALDEN AVE. DEPEW, NY 14043 (716) 684-0001 EMAIL: SALES@PCB.COM
DECIMALS XX ±.01 XXX ±.005	DECIMALS XX ±0.3 XXX ±0.13								
ANGLES ±2 DEGREES	ANGLES ±2 DEGREES								
FILLETS AND RADII .003 - .005	FILLETS AND RADII (0.07 - 0.13)	TITLE			OUTLINE DRAWING MODEL 624B61, M RING ACCELEROMETER		CODE IDENT. NO. 52681	DWG. NO. 20631	
DD011 REV. B 03/13/98							SCALE: FULL	SHEET 1 OF 1	