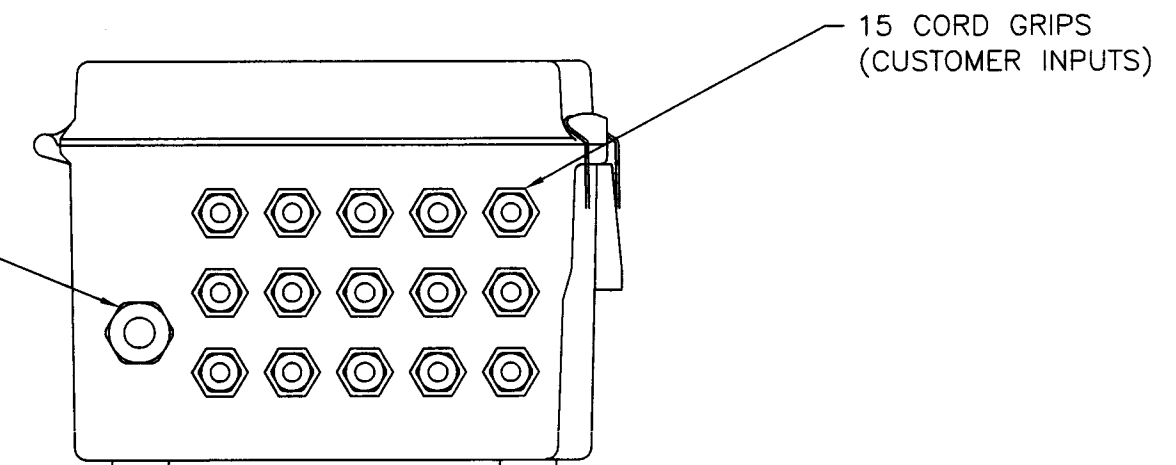
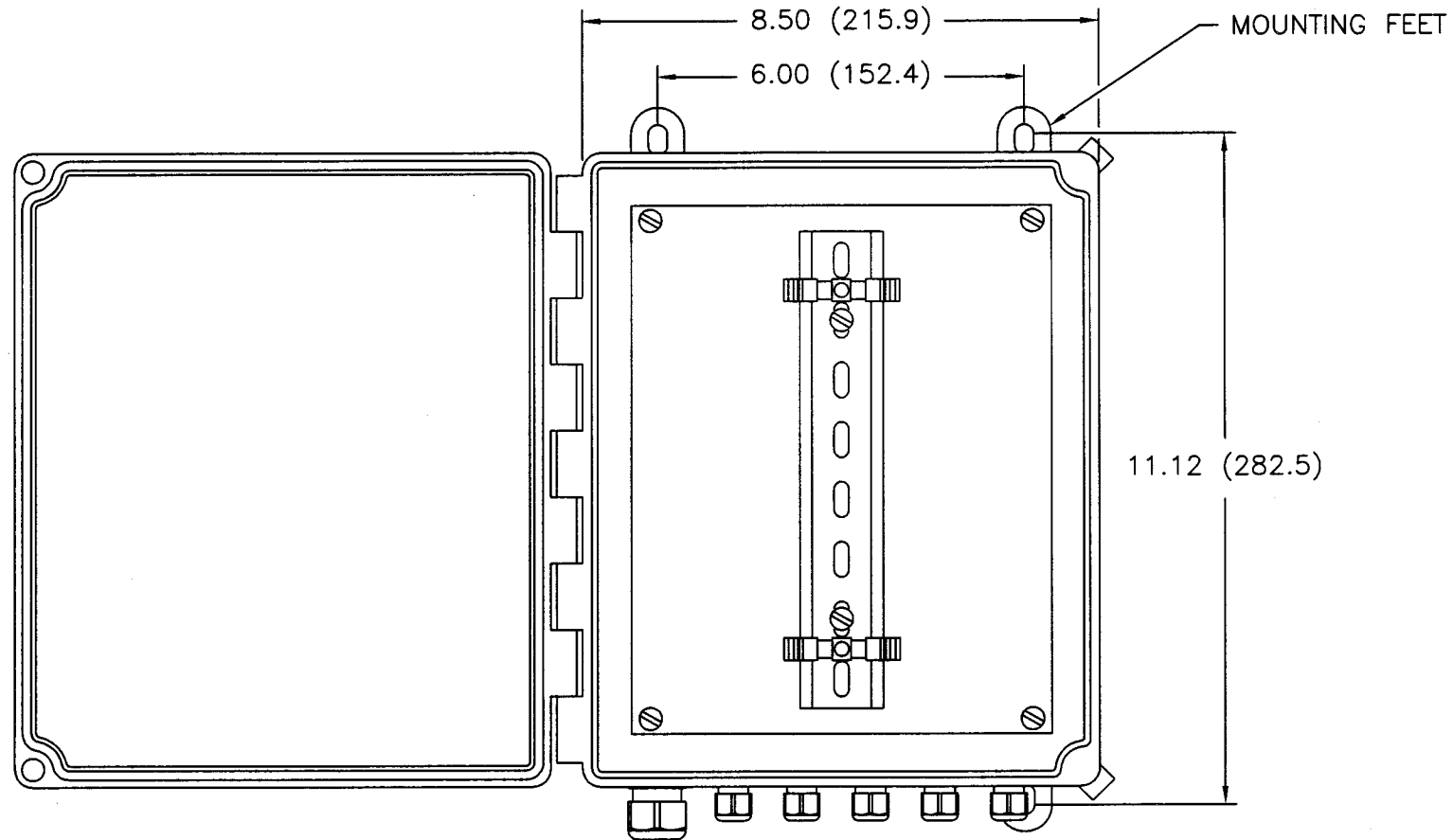
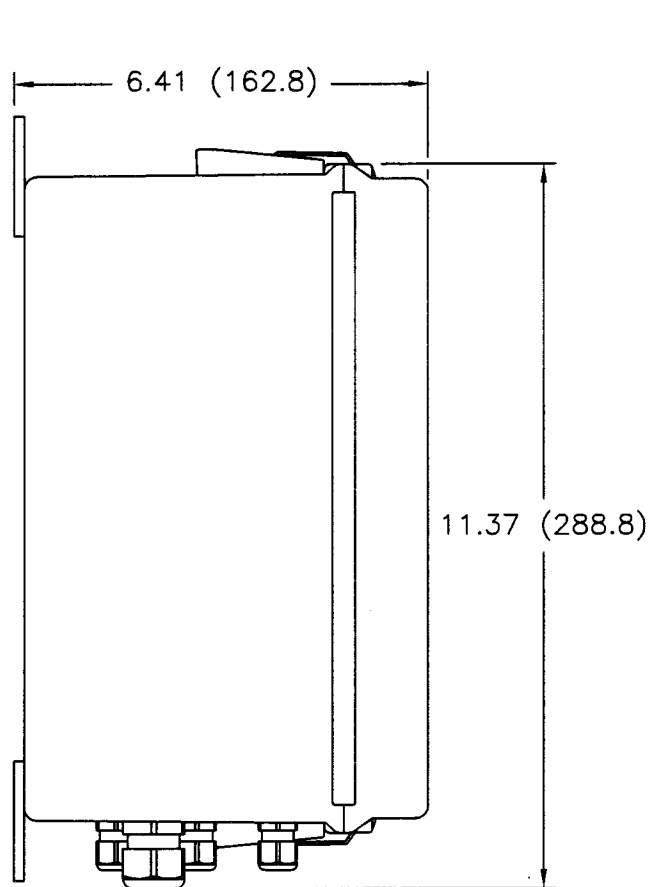


APPLICATION		
NEXT ASS'Y	USED ON	VAR

PCB Piezotronics Inc. claims proprietary rights in the information disclosed hereon. Neither it nor any reproduction thereof will be disclosed to others without written consent of PCB Piezotronics Inc.

REVISIONS				
ZONE	REV	DESCRIPTION	ECN	DATE
	NR	RELEASED TO DRAFTING		9/23/02
				DM 9/02

20364



CORD GRIP (AC POWER INPUT)

15 CORD GRIPS (CUSTOMER INPUTS)

UNLESS SPECIFIED TOLERANCES		DRAWN	MFG	DATE	PCB PIEZOTRONICS	
DIMENSIONS IN INCHES	DIMENSIONS IN MILLIMETERS (IN PARENTHESIS)	<i>DM</i>	<i>P.D</i>	<i>9/23/02</i>	3425 WALDEN AVE. DEPEW, NY 14043	
DECIMALS XX ±.01	DECIMALS XX ±0.3	CHK'D <i>DM</i>	ENGR <i>MJR</i>	<i>9/23/02</i>	(716) 684-0001 EMAIL: SALES@PCB.COM	
XXX ±.005	XXX ±0.13	APP'D <i>NR</i>	<i>DM</i>	<i>9/30/02</i>	CODE IDENT. NO. 52681	DWG. NO. 20364
ANGLES ±2 DEGREES	ANGLES ±2 DEGREES	TITLE			SCALE: 1 : 3	
FILLETS AND RADII .003 - .005	FILLETS AND RADII (0.07 - 0.13)	OUTLINE DRAWING			SHEET 1 OF 1	
		MODEL 682A00				
		DIN RAIL ENCLOSURE				
DD012 REV. B 03/13/98						