



Model 077050-00101

Stationary Torque Transducer, 100 ft-lb (136 Nm), 1/2-inch Square Drive, 4-pin PT Receptacle

Installation and Operating Manual

**For assistance with the operation of this product,
contact the PCB Piezotronics, Inc.**

Toll-free: 716-684-0001

24-hour SensorLine: 716-684-0001

Fax: 716-684-0987

E-mail: info@pcb.com

Web: www.pcb.com



	<u>ENGLISH</u>	<u>SI</u>	
Performance			
Measurement Range(Full Scale Capacity)	100 lbf-ft	136 Nm	
Sensitivity(output at rated capacity)(0.25%FS)	2 mV/V	2 mV/V	[2]
Non-Linearity	≤ 0.25 % FS	≤ 0.25 % FS	[3]
Hysteresis	≤ 0.25 % FS	≤ 0.25 % FS	[3]
Interchangeability	≤ 0.30 % FS	≤ 0.30 % FS	[4]
Overload Capacity	150 %F.S.	150 %F.S.	
Drive Size	1/2 inch Square	1/2 inch Square	[5]
Environmental			
Temperature Range(Operating)	0 to +200 °F	-18 to +93 °C	
Temperature Range(Compensated)	+70 to +150 °F	+21 to +66 °C	
Temperature Effect on Output(Maximum)	± 0.01 %RO/°F	± 0.018 %RO/°C	
Temperature Effect on Zero Balance(Maximum)	± 0.01 %FS/°F	± 0.018 %FS/°C	
Electrical			
Bridge Resistance	350 Ohm	350 Ohm	
Excitation Voltage(Recommended)	10 VDC or VAC rms	10 VDC or VAC rms	
Zero Balance	≤ 2 % FS	≤ 2 % FS	
Shunt Calibration	2 mV/V	2 mV/V	[1]
Physical			
Size (Diameter x Height)	4.0 in x 1.75 in	101.6 mm x 44.5 mm	[5]
Weight	1.8 lb	0.8 kg	
Mating Connector	PT06A-8-4S	PT06A-8-4S	
Connector	DT02H-8-4P	DT02H-8-4P	
<i>All specifications are at room temperature unless otherwise specified. In the interest of constant product improvement, we reserve the right to change specifications without notice.</i>			

OPTIONAL VERSIONS

Optional versions have identical specifications and accessories as listed for the standard model except where noted below. More than one option may be used.

NOTES:


[1] 2 mV/V with 43.575 kOhm precision resistor.
 [2] Nominal.
 [3] FS - Full Scale.
 [4] Matched for mV/V and shunt calibration.
 [5] See Drawing 66212 for Complete Dimensions

SUPPLIED ACCESSORIES:
 Model 7122R-04352A PRECISION CAL RESISTOR 43.575 kOhm

OPTIONAL ACCESSORIES:
 Model 080920-01000 Model 920 Portable Digital Peak Meter for torque, torque-angle or load measurement; Click-Wrench calc feature, w/battery charger, instruction manual & shoulder strap
 Model 097000-34149 INTERCONNECT CABLE
 Model 4242R-000600 MATING CONNECTOR PT06A-8-4S

Entered: LK	Engineer: PE	Sales: DM	Approved: JSD	Spec Number:
Date: 12/19/2016	Date: 12/19/2016	Date: 12/19/2016	Date: 12/19/2016	66213

PCB Load & Torque
 24350 Indoplex Circle
 Farmington Hills, MI 48335
 UNITED STATES
 Phone: 866-684-7107
 Fax: 716-684-0987
 E-Mail: ltinfo@pcbloadtorque.com
 Web site: <http://www.pcbloadtorque.com>

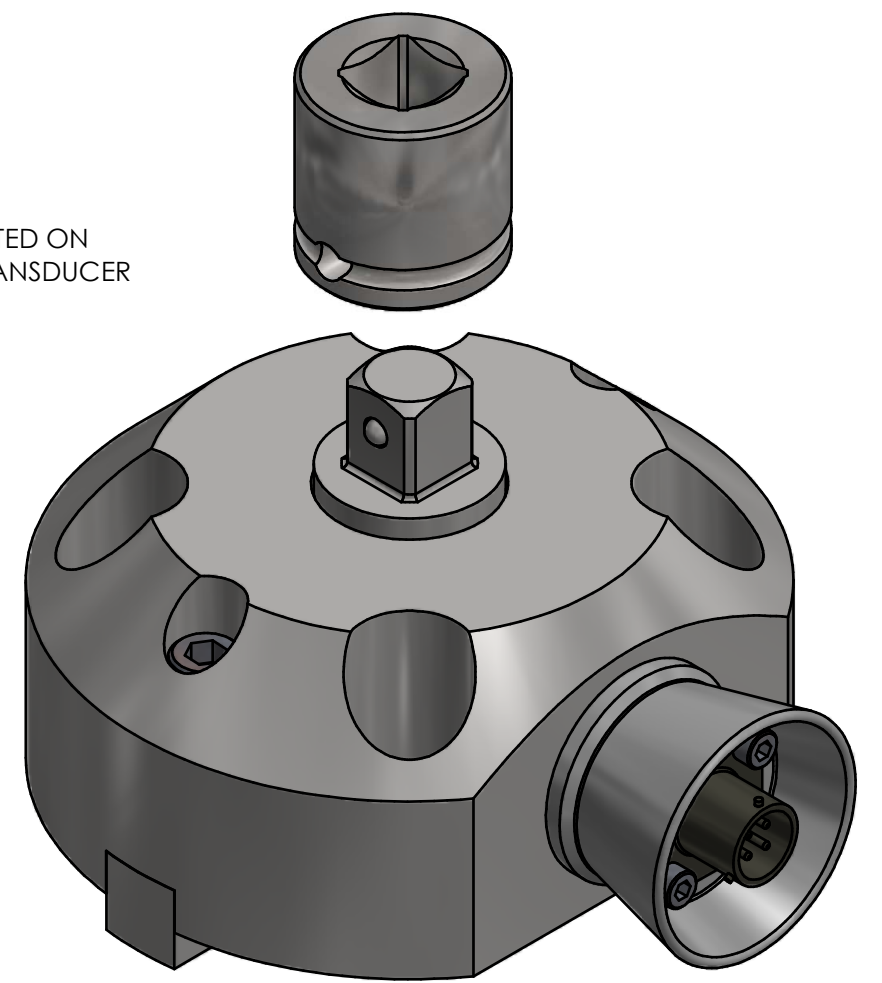
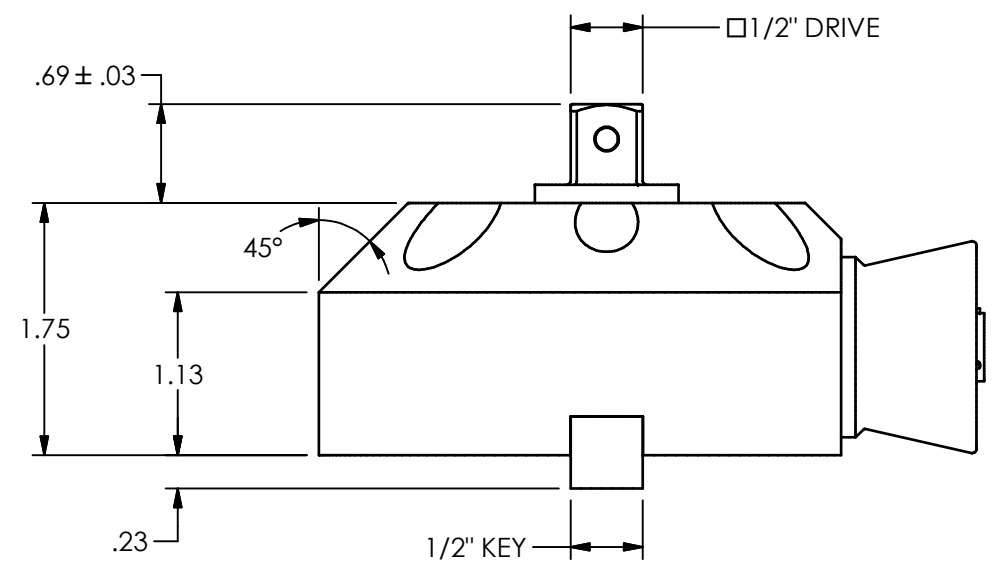
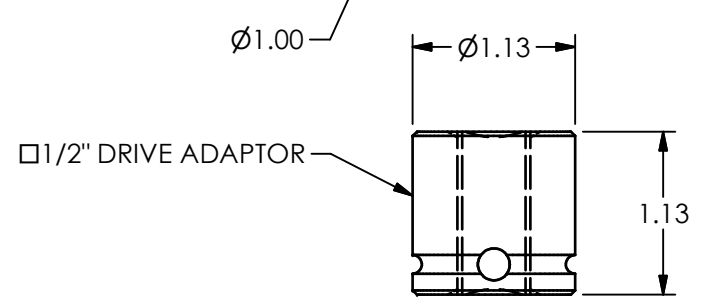
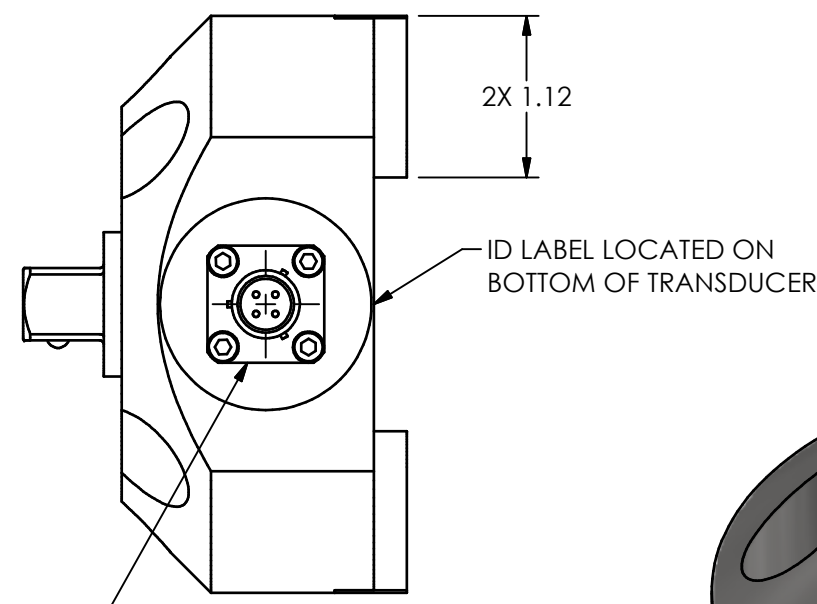
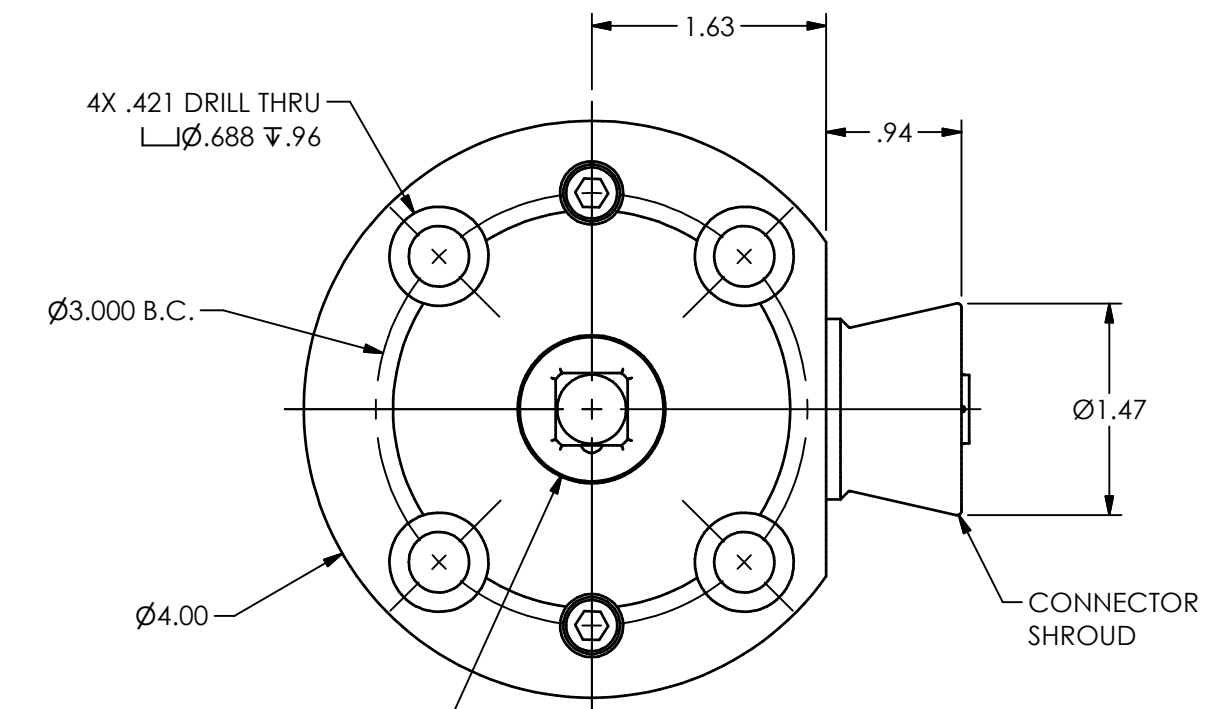


PCB LOAD & TORQUE
 A PCB PIEZOTRONICS DIV.

PCB Load & Torque (A Division of PCB Piezotronics, Inc.) claims proprietary rights in the information disclosed hereon. Neither it nor any reproduction thereof will be disclosed to others without the written consent of PCB Load and Torque.

66212

REVISIONS		
REV	DESCRIPTION	ECO
NR	RELEASED FOR PRODUCTION - 01.05.17, PTE	46257



ISO VIEW
SCALE 1 : 1

UNLESS OTHERWISE SPECIFIED TOLERANCES ARE:		DRAWN		CHECKED		ENGINEER		 24350 Indoplex Circle, Farmington Hills, MI 48335 (248) 888-8260 E-MAIL: linfo@pcb.com DWG. NO. 66212 SCALE: 3/4 SHEET 1 OF 1
DIMENSIONS IN INCHES	DIMENSIONS IN MILLIMETERS [IN BRACKETS]	PTE	12.05.16	JSD	12.08.16	PTE	12.05.16	
DECIMALS XX ±.01 XXX ±.005	DECIMALS X ±.3 XX ±.13	TITLE OUTLINE DRAWING STATIONARY TORQUE TRANSDUCER 1/2" SQ. DRIVE (STAT-DUCER)						
ANGLES ± .5 DEGREES	ANGLES ± .5 DEGREES							
FILLETS AND RADII .015 MAX	FILLETS AND RADII 0.38 MAX							