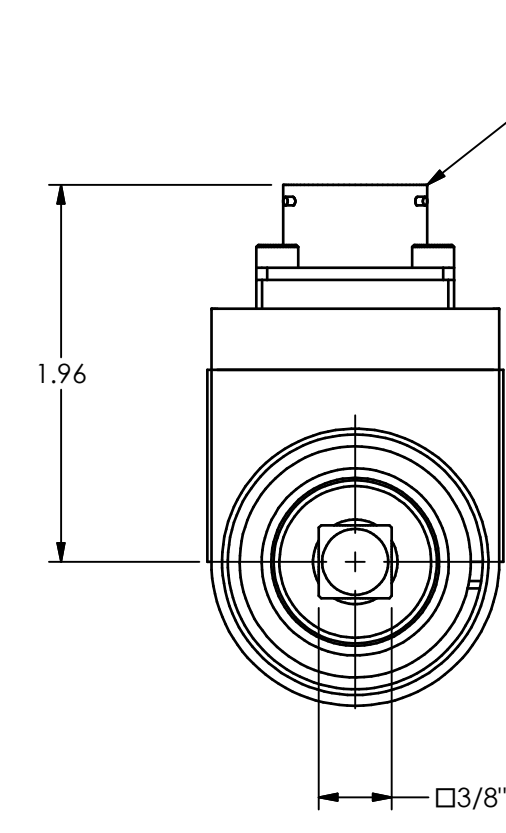
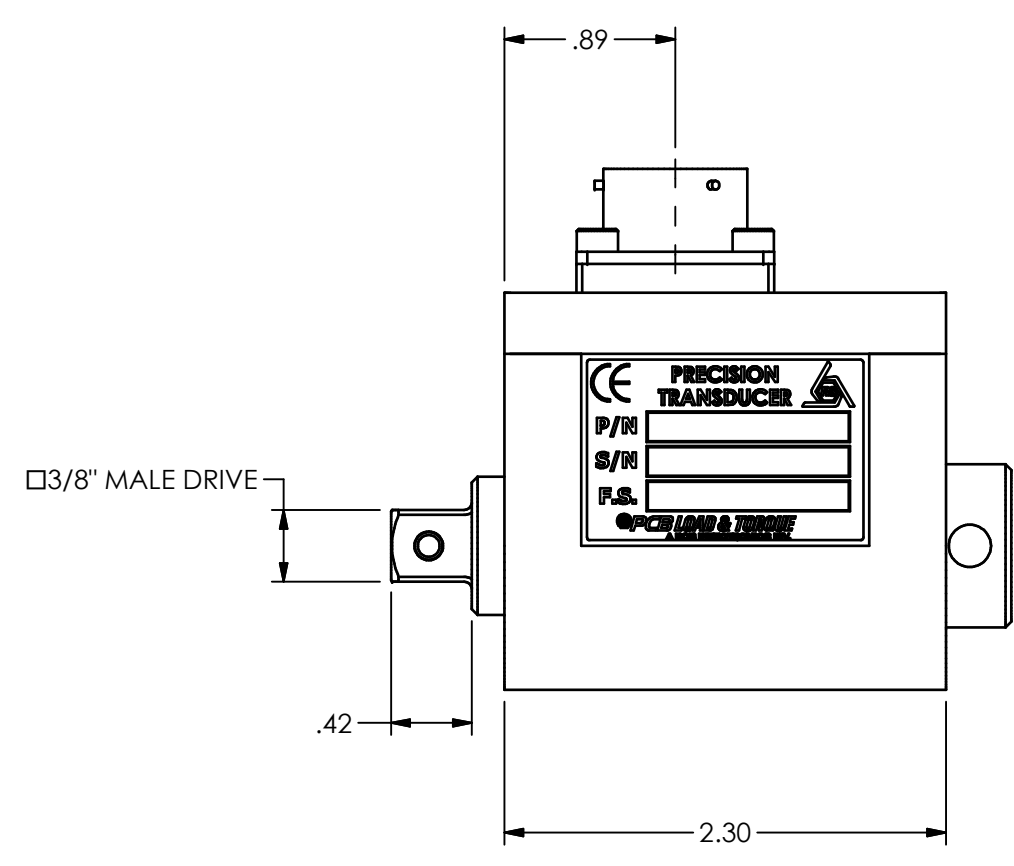
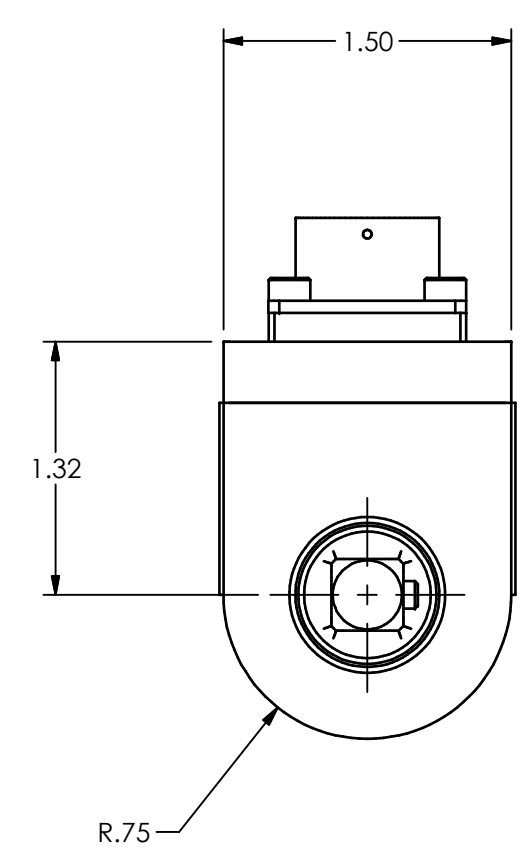
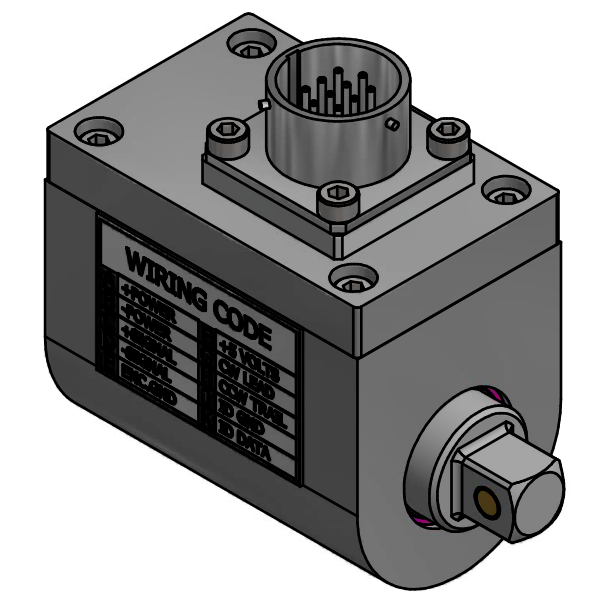
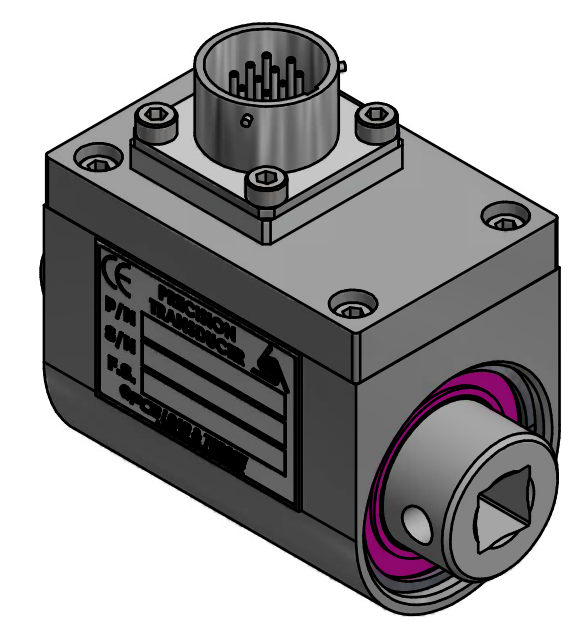
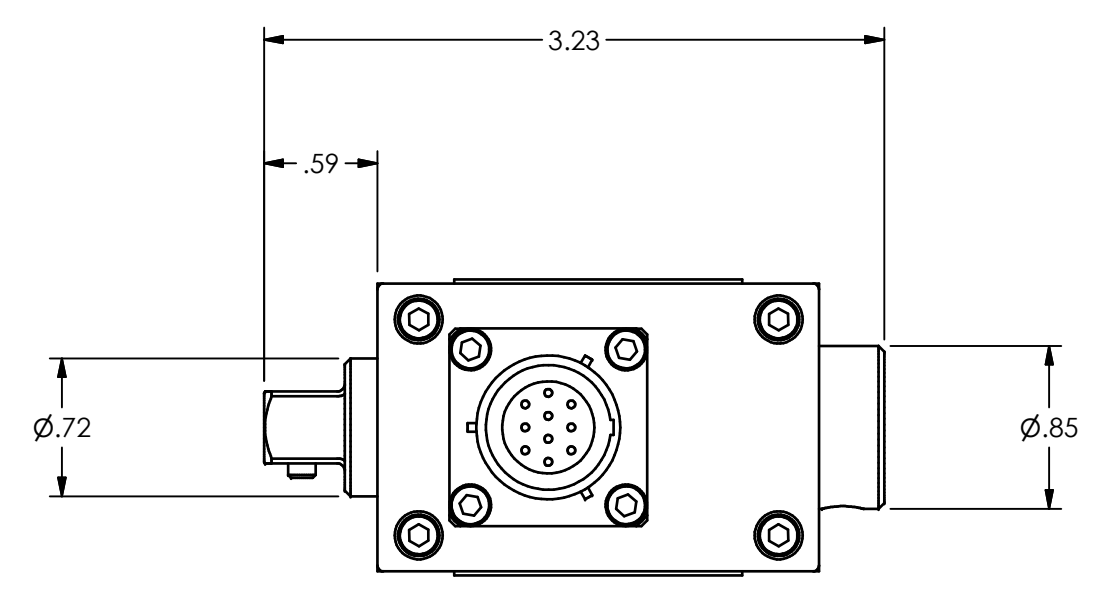


LT38037

PCB Load & Torque Inc. claims proprietary rights in the information disclosed hereon. Neither it nor any reproduction thereof will be disclosed to others without the written consent of PCB Load and Torque Inc.

REVISIONS		
REV	DESCRIPTION	ECO
A	UPDATED DIM'S AND WIRING CODE - 06.21.17, PTE	46925



PUSH/TURN RECEPTACLE
(BENDIX PT02H-12-10P OR EQUIV.)
WIRING CODE:
9037 SERIES
PIN A +POWER
PIN B -POWER
PIN C +SIGNAL
PIN D -SIGNAL
PIN E N/C
PIN F N/C
PIN G N/C
PIN H N/C
PIN J ID GRD
PIN K ID DATA

9237 SERIES
PIN A +POWER
PIN B -POWER
PIN C +SIGNAL
PIN D -SIGNAL
PIN E ENCODER GRD
PIN F +5V
PIN G CW LEAD
PIN H CCW TRAIL
PIN J ID GRD
PIN K ID DATA

UNLESS OTHERWISE SPECIFIED TOLERANCES ARE:		DRAWN	CHECKED	ENGINEER	<p>24350 Indoplex Circle, Farmington Hills, MI 48335 (716) 684-0001 E-MAIL: ltinfo@pcbloadtorque.com DWG. NO. LT38037 SCALE: FULL SHEET 1 OF 1</p>			
DIMENSIONS IN INCHES	DIMENSIONS IN MILLIMETERS [IN BRACKETS]	PTE	3/22/12	JAM		3/22/12	PTE	2/28/12
DECIMALS XX ±.01 XXX ±.005	DECIMALS X ± 0.3 XX ± 0.13	TITLE OUTLINE DRAWING ROTARY TORQUE 3/8" SQ DRIVE, 10 PIN						
ANGLES ± .5 DEGREES	ANGLES ± .5 DEGREES	FILLETS AND RADII .015 MAX						
FILLETS AND RADII 0.38 MAX								