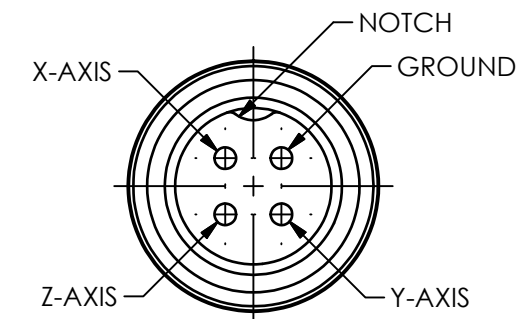
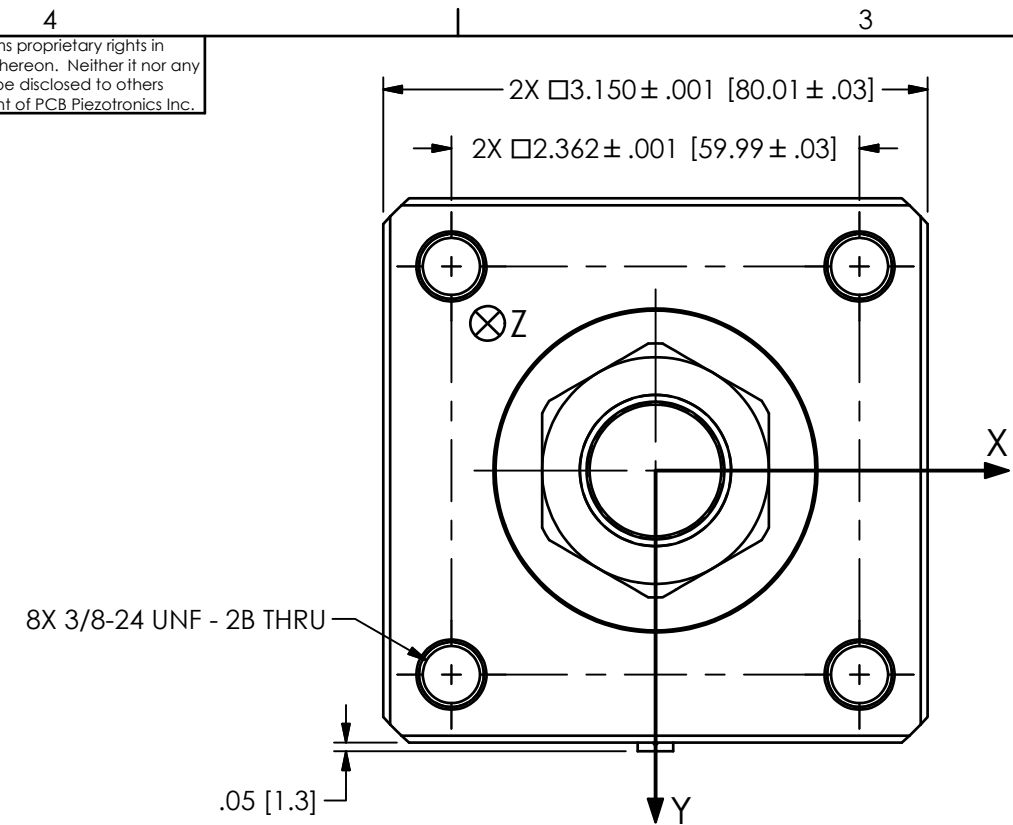


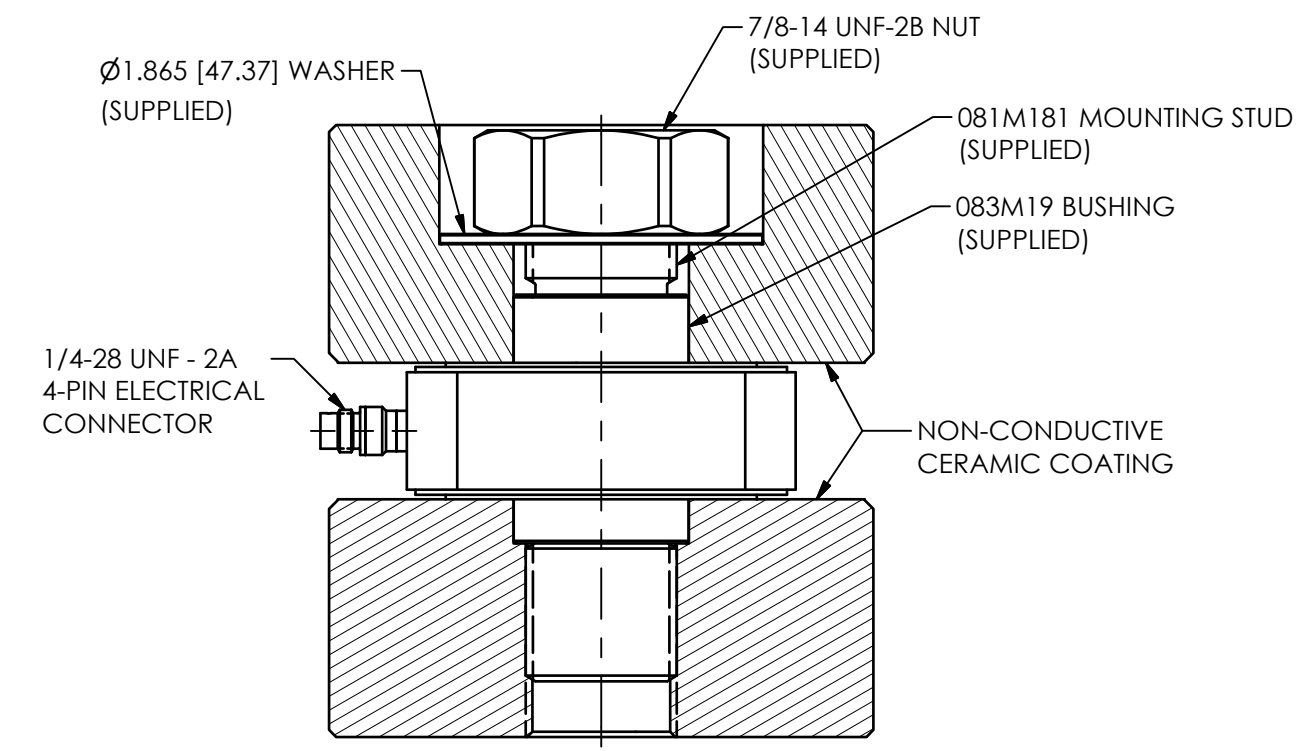
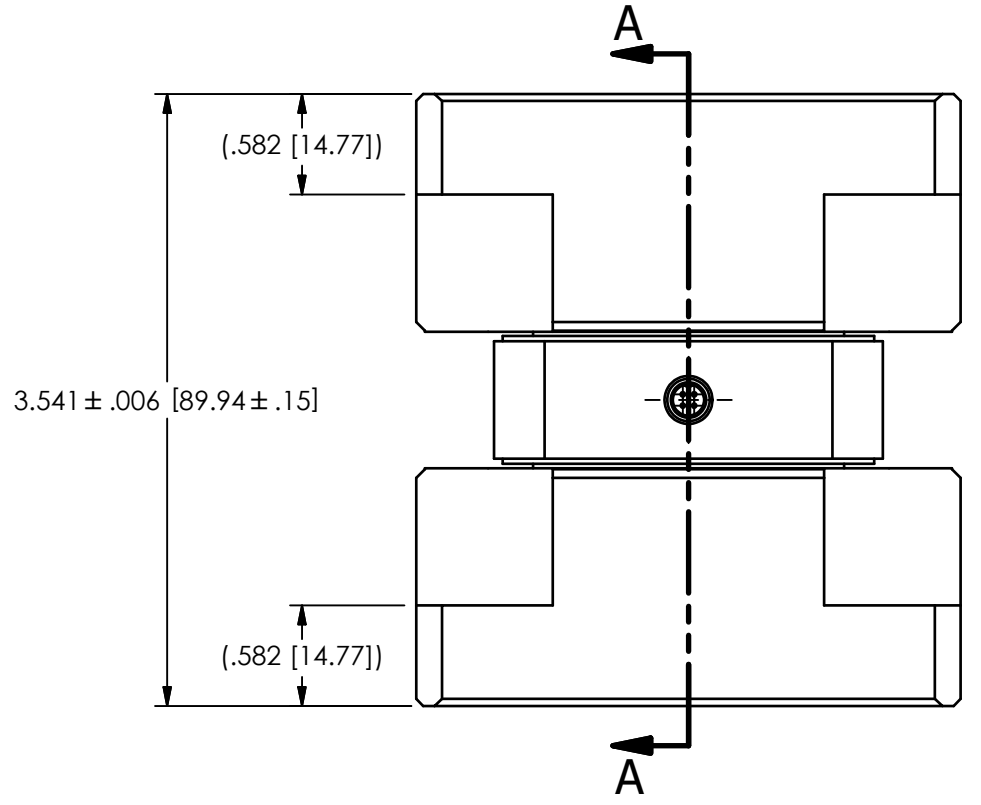
PCB Piezotronics Inc. claims proprietary rights in the information disclosed hereon. Neither it nor any reproduction thereof will be disclosed to others without the written consent of PCB Piezotronics Inc.

74529

REVISIONS		
REV	DESCRIPTION	DIN
NR	RELEASED TO DRAFTING	52099



**PIN OUT**  
SCALE 4.5X



**SECTION A-A**

UNLESS OTHERWISE SPECIFIED TOLERANCES ARE:		DRAWN		CHECKED		ENGINEER		PCB PIEZOTRONICS			
DIMENSIONS IN INCHES		JJF	10/26/21	JJF	10/26/21	EDB	10/26/21	AN AMPHENOL COMPANY			
DECIMALS XX $\pm$ .03		TITLE						3425 WALDEN AVE. DEPEW, NY 14043			
XXX $\pm$ .010								OUTLINE DRAWING		(716) 684-0001 E-MAIL: sales@pcb.com	
ANGLES $\pm$ 2 DEGREES								MODEL 261B03		CODE IDENT. NO. 52681	
CABLE TOLERANCES IN ENGLISH		TRIXIAL FORCE SENSOR		DWG. NO. 74529		SCALE: .85X		SHEET 1 OF 1			
1" $\le$ LENGTH < 1' = +1' / - 0											
1' $\le$ LENGTH < 5' = +2" / - 0											
5' $\le$ LENGTH < 100' = +6" / - 0											
100' $\le$ LENGTH = +1' / - 0											
FILLETS AND RADII .003 - .005											
DIMENSIONS IN MILLIMETERS [IN BRACKETS]											
DECIMALS X $\pm$ 0.8											
XX $\pm$ 0.25											
ANGLES $\pm$ 2 DEGREES											
CABLE TOLERANCES IN METRIC											
2.54cm $\le$ LENGTH < 30.5cm = +2.54cm / - 0											
30.5cm $\le$ LENGTH < 1.5m = +5.1cm / - 0											
1.5m $\le$ LENGTH < 30.5m = +15.2cm / - 0											
30.5m $\le$ LENGTH = +30.5cm / - 0											
FILLETS AND RADII 0.07 - 0.13											