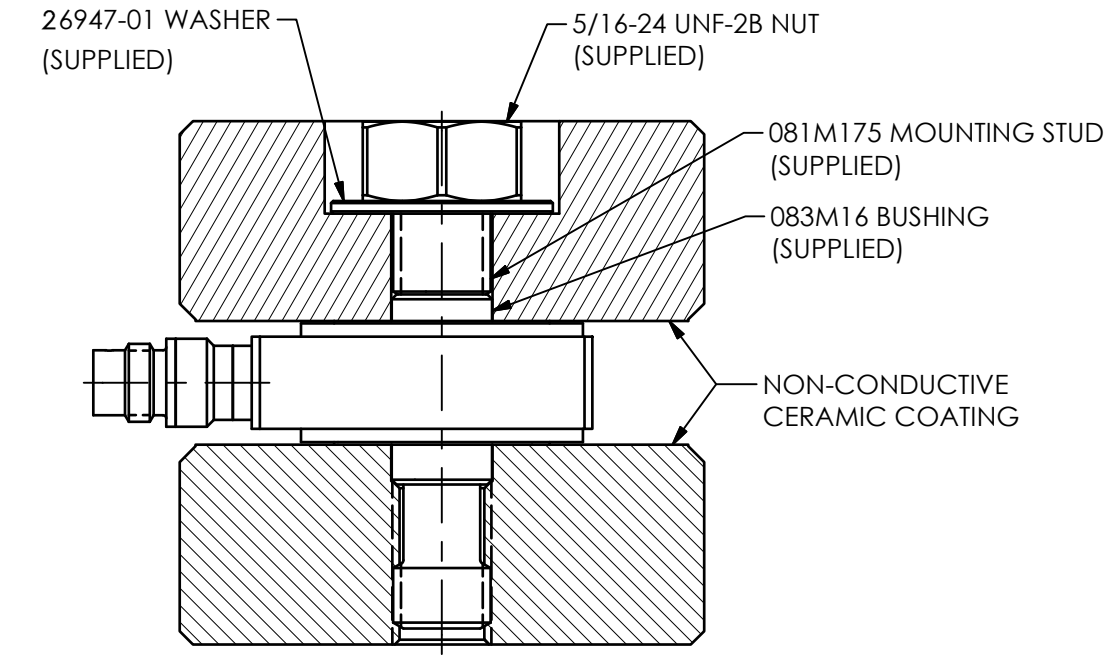
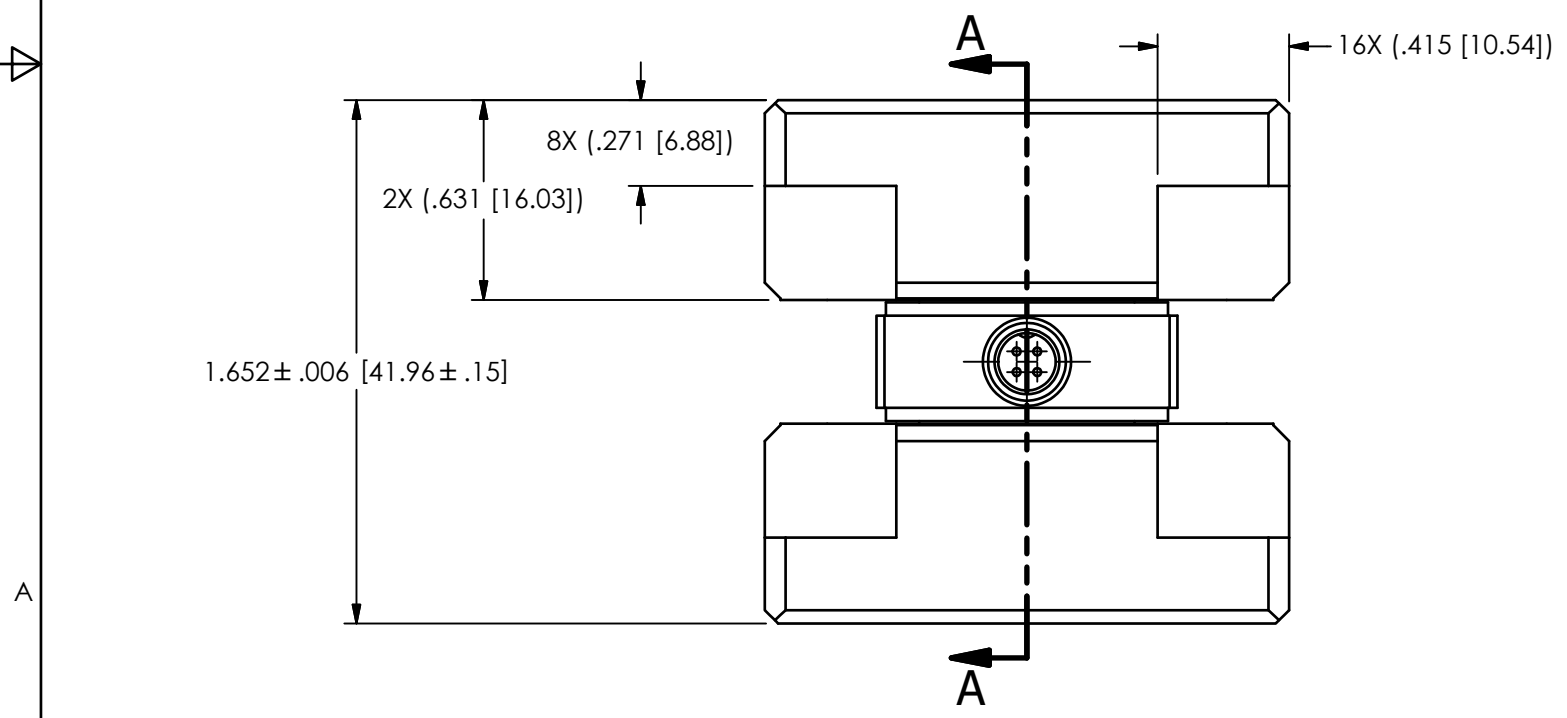
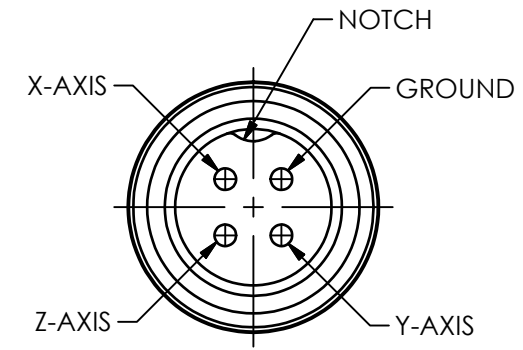
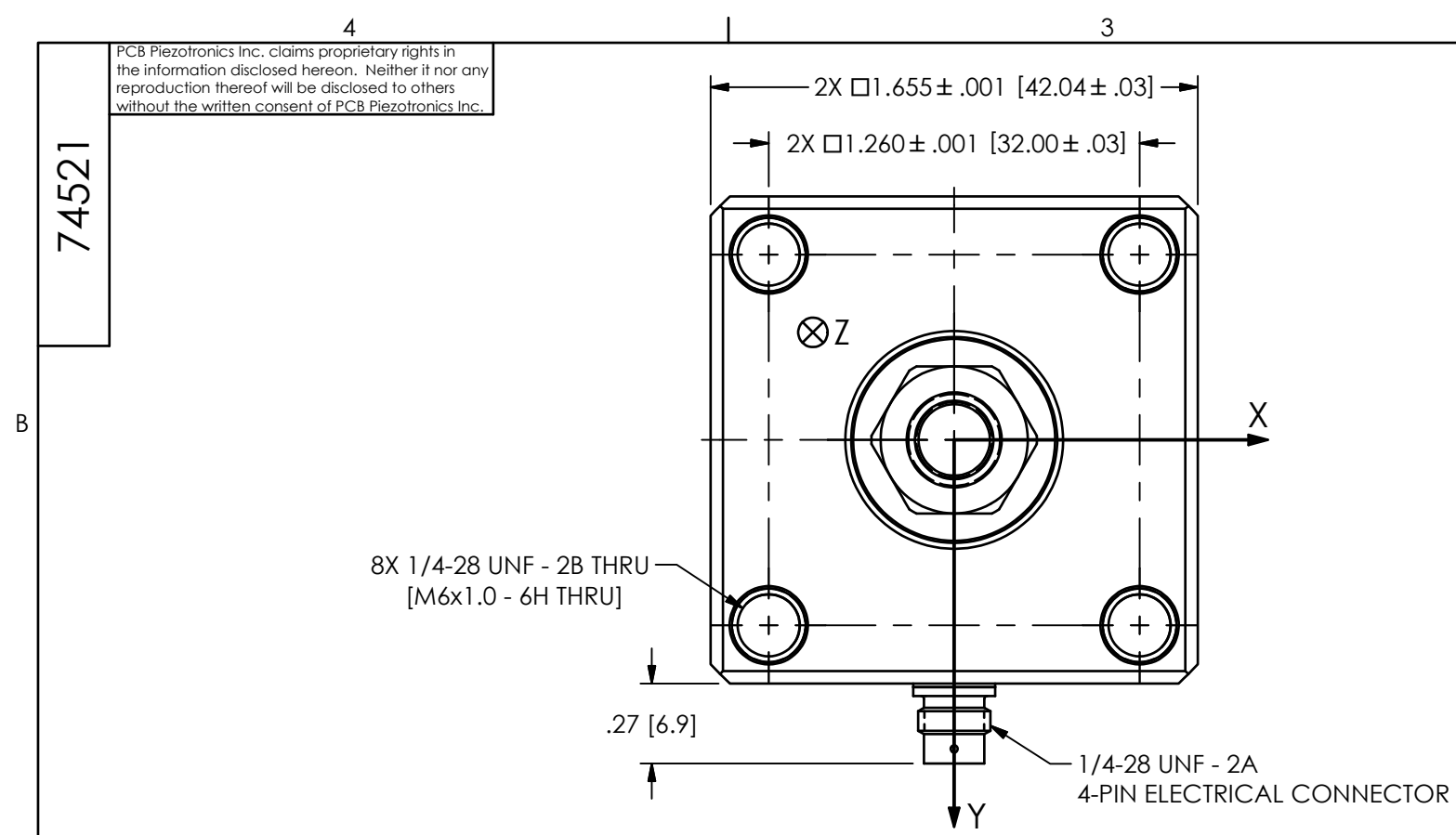


PCB Piezotronics Inc. claims proprietary rights in the information disclosed hereon. Neither it nor any reproduction thereof will be disclosed to others without the written consent of PCB Piezotronics Inc.

74521

REVISIONS		
REV	DESCRIPTION	DIN
A	UPDATED FOR METRIC & REFERENCE DIMENSIONS	52939



UNLESS OTHERWISE SPECIFIED TOLERANCES ARE:		DRAWN		CHECKED		ENGINEER		PCB PIEZOTRONICS	
DIMENSIONS IN INCHES		NJF 08/11/22		JDM 08/11/22		EDB 08/11/22		AN AMPHENOL COMPANY	
DECIMALS XX ±.03		TITLE		OUTLINE DRAWING		3425 WALDEN AVE. DEPEW, NY 14043		CODE IDENT. NO. 52681	
XXX ±.010		MODEL 261B01, M261B01		TRIAXIAL FORCE SENSOR		(716) 684-0001 E-MAIL: sales@pcb.com		DWG. NO. 74521	
ANGLES ± 2 DEGREES								SCALE: 1.65X SHEET 1 OF 1	
CABLE TOLERANCES IN ENGLISH									
1" ≤ LENGTH < 1' = +1' / - 0									
1' ≤ LENGTH < 5' = +2' / - 0									
5' ≤ LENGTH < 100' = +6' / - 0									
100' ≤ LENGTH = +1' / - 0									
FILLETS AND RADII .003 - .005									
DIMENSIONS IN MILLIMETERS [IN BRACKETS]									
DECIMALS X ± 0.8									
XX ± 0.25									
ANGLES ± 2 DEGREES									
CABLE TOLERANCES IN METRIC									
2.54cm ≤ LENGTH < 30.5cm = +2.54cm / - 0									
30.5cm ≤ LENGTH < 1.5m = +5.1cm / - 0									
1.5m ≤ LENGTH < 30.5m = +15.2cm / - 0									
30.5m ≤ LENGTH = +30.5cm / - 0									
FILLETS AND RADII 0.07 - 0.13									