

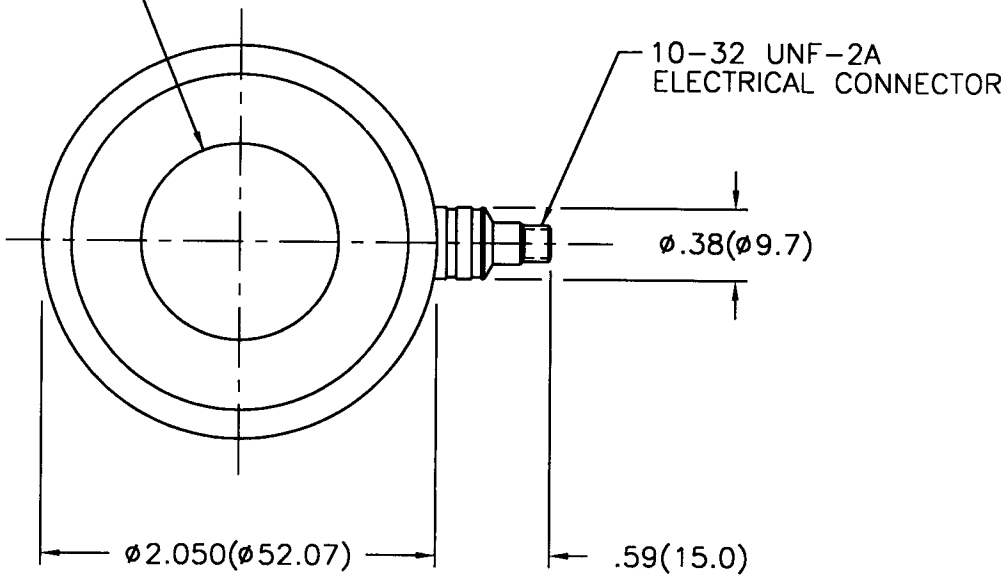
| APPLICATION | | |
|-------------|---------|-----|
| NEXT ASS'Y | USED ON | VAR |
| | | |

| REVISIONS | | | | |
|-----------|-------------|-----|------|-------|
| REV | DESCRIPTION | ECN | DATE | APP'D |
| | | | | |

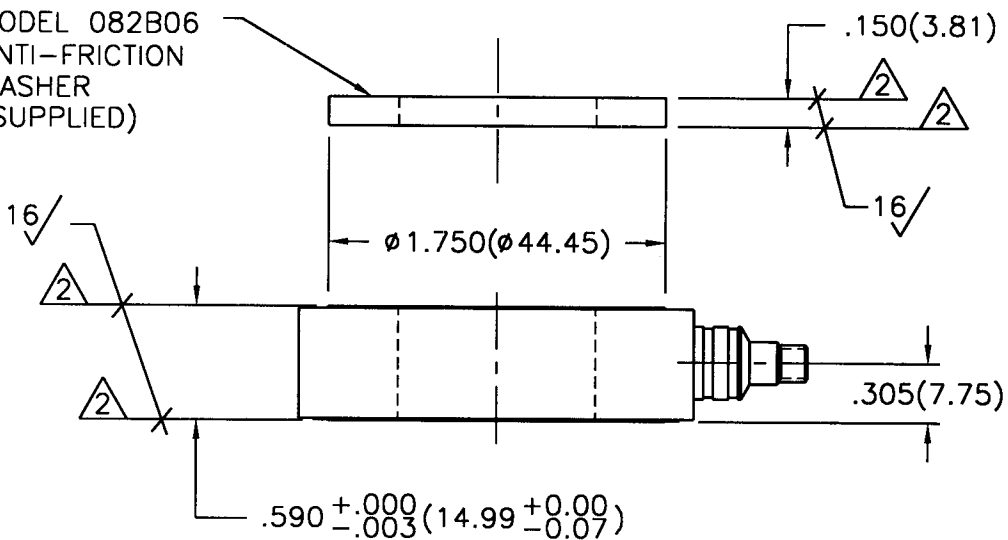
6689

PCB Piezotronics Inc. claims proprietary rights in the information disclosed herein. Neither it nor any reproduction thereof will be disclosed to others without written consent of PCB Piezotronics Inc.

Ø1.025(Ø26.04)
THRU HOLE



MODEL 082B06
ANTI-FRICTION
WASHER
(SUPPLIED)



△ THESE SURFACES TO BE FLAT AND PARALLEL TO WITHIN .001(0.03) TIR.
1.) SEE SHEET TWO FOR MOUNTING INSTRUCTIONS.

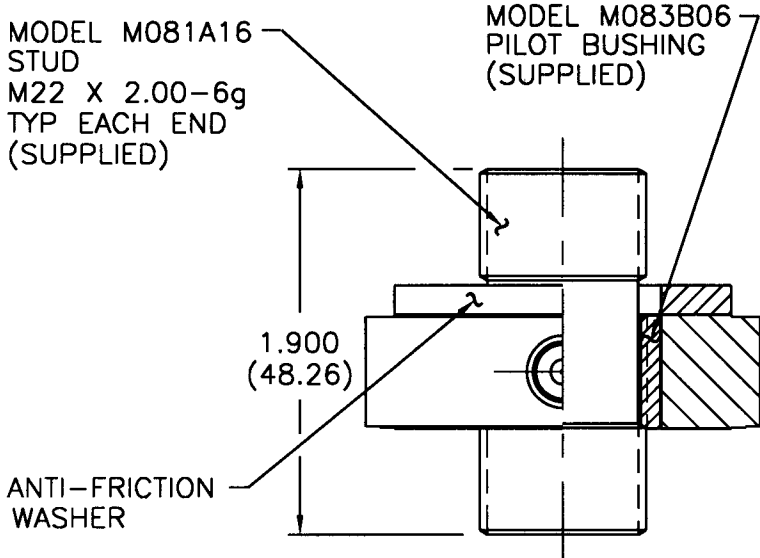
| | | | | | | | | |
|----------------------------------|---|-------|---|---------|------|-----|-------------|--|
| UNLESS SPECIFIED TOLERANCES | | DRAWN | TW | 7/16/97 | MFG | STA | 7/16/97 | PCB PIEZOTRONICS, INC. 3425 WALDEN AVE. DEPEW, NEW YORK 14043 PHONE: (716) 684-0001 |
| DIMENSIONS IN INCHES | DIMENSIONS IN MILLIMETERS (IN PARENTHESIS) | CHK'D | DM | 7/16/97 | ENGR | ZAB | 7/16/97 | |
| DECIMALS XX ±.01 XXX ±.005 | DECIMALS XX ±0.3 XXX ±0.13 | APP'D | WSE | 7/16/97 | | | | |
| ANGLES ±2 DEGREES | ANGLES ±2 DEGREES | TITLE | INSTALLATION DRAWING MODEL M216B FORCE RING | | | | | |
| FILLETS AND RADII .003 - .005 | FILLETS AND RADII (0.07 - 0.13) | | | | | | | DWG. NO. 6689 |
| DD011 REV. A 05/26/95 | | | | | | | SCALE: FULL | SHEET 1 OF 2 |

6689

PCB Piezotronics Inc. claims proprietary rights in the information disclosed hereon. Neither it nor any reproduction thereof will be disclosed to others without written consent of PCB Piezotronics Inc.

| APPLICATION | | |
|-------------|---------|-----|
| NEXT ASS'Y | USED ON | VAR |
| | | |

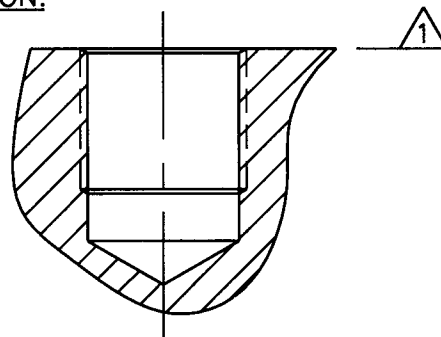
| REVISIONS | | | | |
|-----------|-----------------|-----|------|-------|
| REV | DESCRIPTION | ECN | DATE | APP'D |
| | -SEE SHEET ONE- | | | |



TYP STUD MOUNTING
INSTALLATION

MOUNTING HOLE PREPARATION:

DRILL $\phi .787(\phi .20.00)$ $\triangle 2$
 X 1.00(25.4) ∇
 TAP M22 X 2.00-6H
 X .750(19.05) ∇
 PERFECT THREAD



- 3.) SEE MANUAL FOR PRELOAD INSTRUCTIONS.
- $\triangle 2$ DRILL PERPENDICULAR TO MOUNTING SURFACE TO WITHIN $\pm .001^{\circ}$.
- $\triangle 1$ MOUNTING SURFACE UNDER FORCE RING MUST BE FLAT WITHIN .001(0.03) TIR WITH A $63\sqrt{(1.6)}$ FINISH.

| | | | | | | | | |
|---|--|-------|---|---------|------|------------|--------------------------|--|
| UNLESS SPECIFIED TOLERANCES | | DRAWN | <i>rw</i> | 7/16/97 | MFG | <i>RJA</i> | 7/16/97 | PCB PIEZOTRONICS, INC. 3425 WALDEN AVE. DEPEW, NEW YORK 14043 PHONE: (716) 684-0001 |
| DIMENSIONS IN INCHES | DIMENSIONS IN MILLIMETERS (IN PARENTHESIS) | CHK'D | <i>dm</i> | 7/16/97 | ENGR | <i>ZAB</i> | 7/16/97 | |
| DECIMALS XX $\pm .01$ XXX $\pm .005$ | DECIMALS XX ± 0.3 XXX ± 0.13 | APP'D | <i>WST</i> | 7/16/97 | | | | |
| ANGLES ± 2 DEGREES | ANGLES ± 2 DEGREES | TITLE | INSTALLATION DRAWING MODEL M216B FORCE RING | | | | CODE IDENT. NO. 52681 | |
| FILLETS AND RADII .003 - .005 | FILLETS AND RADII (0.07 - 0.13) | | | | | | | SCALE: FULL SHEET 2 OF 2 |
| DD011 REV. A 05/26/95 | | | | | | | | |