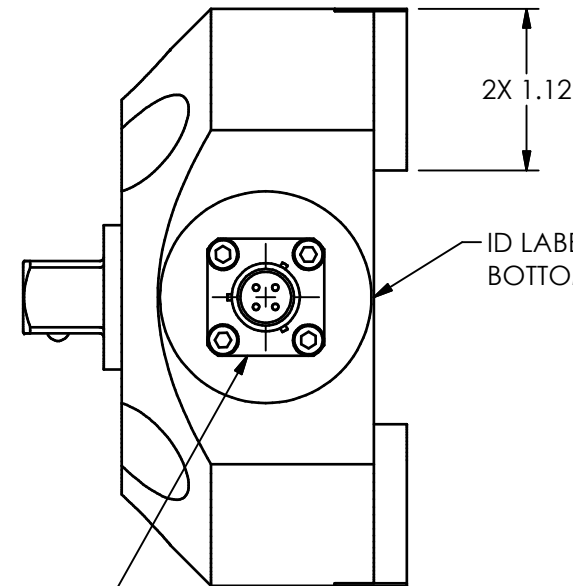
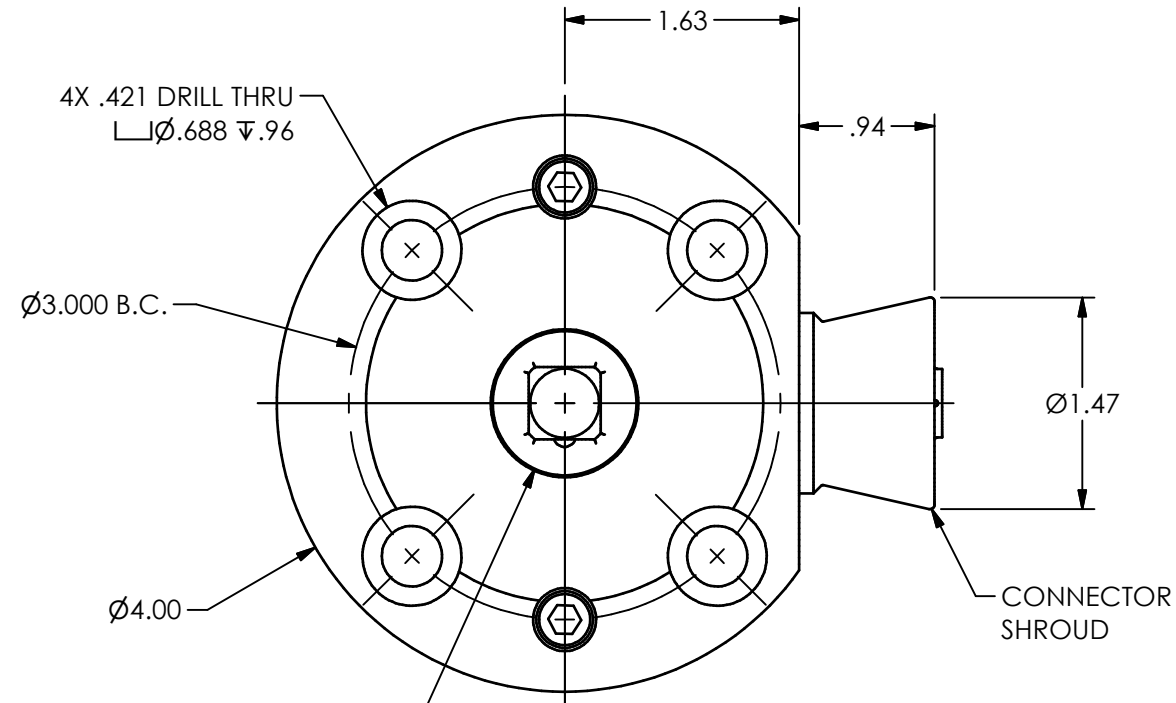


PCB Load & Torque (A Division of PCB Piezotronics, Inc.) claims proprietary rights in the information disclosed hereon. Neither it nor any reproduction thereof will be disclosed to others without the written consent of PCB Load and Torque.

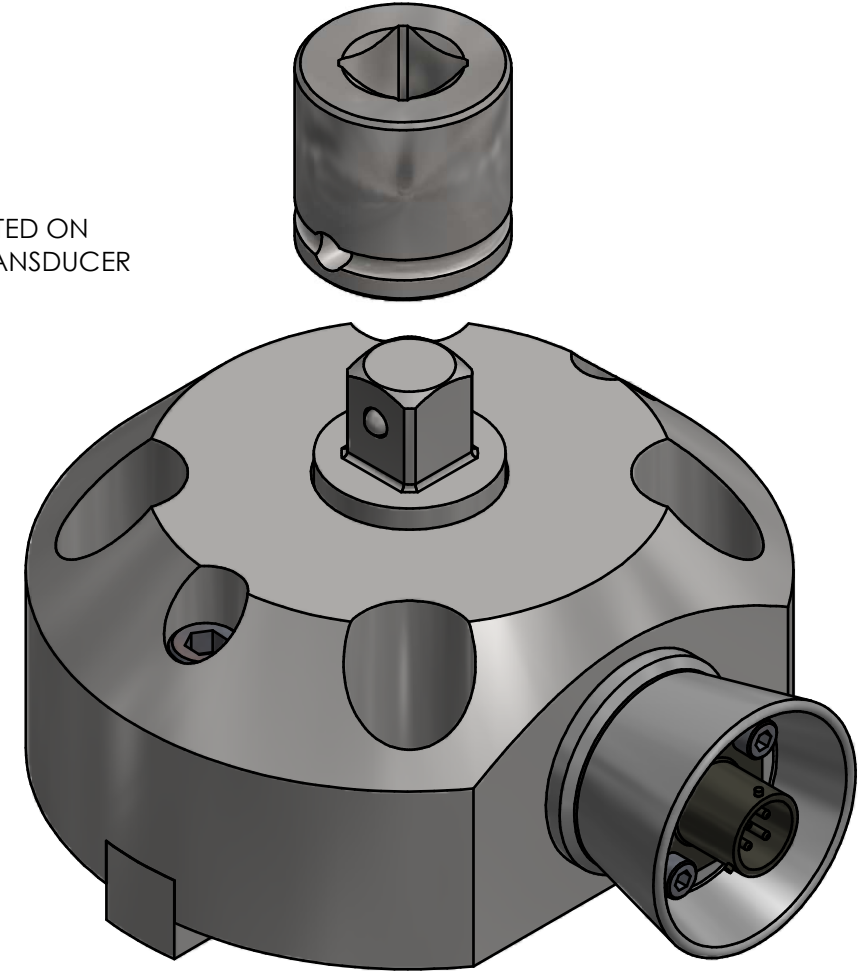
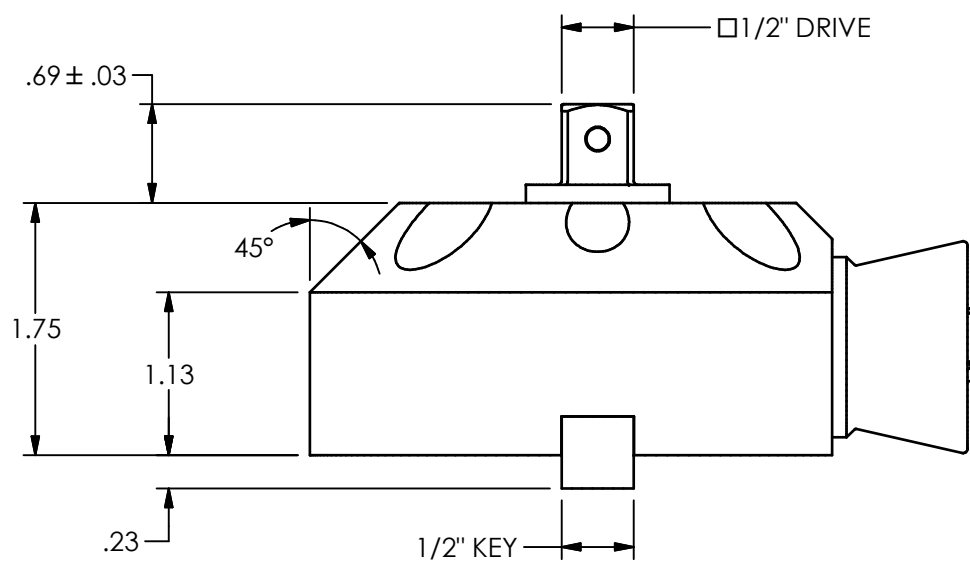
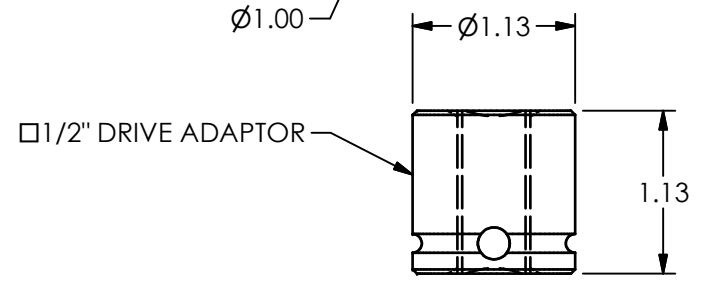
66212

REVISIONS		
REV	DESCRIPTION	ECO
NR	RELEASED FOR PRODUCTION - 01.05.17, PTE	46257



ID LABEL LOCATED ON BOTTOM OF TRANSDUCER

4 PIN RECEPTACLE
(BENDIX PTO2A-8-4P OR EQUIV.)
WIRING CODE:
PIN A +EXC.
PIN B -EXC.
PIN C +SIG.
PIN D -SIG.



ISO VIEW
SCALE 1 : 1

UNLESS OTHERWISE SPECIFIED TOLERANCES ARE:		DRAWN		CHECKED		ENGINEER		 24350 Indoplex Circle, Farmington Hills, MI 48335 (248) 888-8260 E-MAIL: linfo@pcb.com DWG. NO. 66212
DIMENSIONS IN INCHES	DIMENSIONS IN MILLIMETERS [IN BRACKETS]	PTE	12.05.16	JSD	12.08.16	PTE	12.05.16	
DECIMALS XX ±.01 XXX ±.005 ANGLES ± .5 DEGREES FILLETS AND RADII .015 MAX	DECIMALS X ± 0.3 XX ± 0.13 ANGLES ± .5 DEGREES FILLETS AND RADII 0.38 MAX	TITLE OUTLINE DRAWING STATIONARY TORQUE TRANSDUCER 1/2" SQ. DRIVE (STAT-DUCER)						