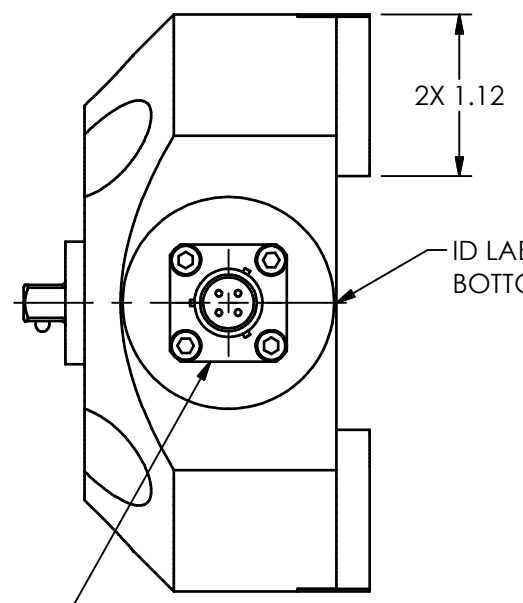
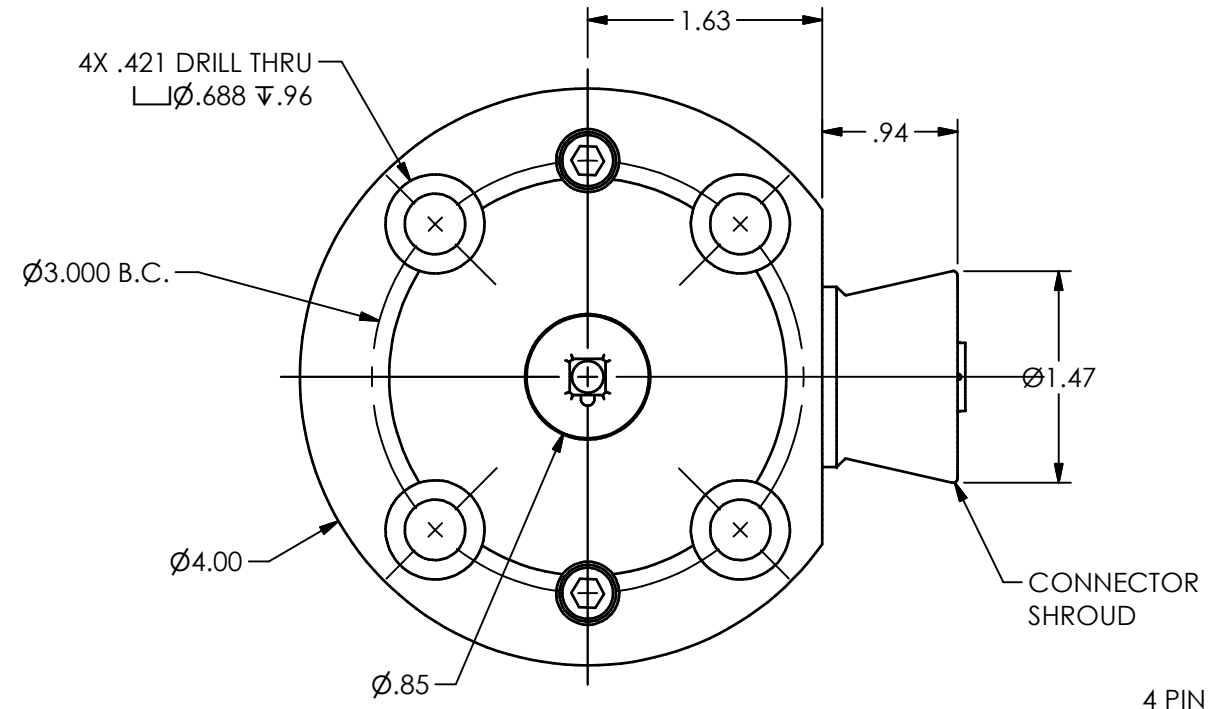


PCB Load & Torque (A Division of PCB Piezotronics, Inc.) claims proprietary rights in the information disclosed hereon. Neither it nor any reproduction thereof will be disclosed to others without the written consent of PCB Load and Torque.

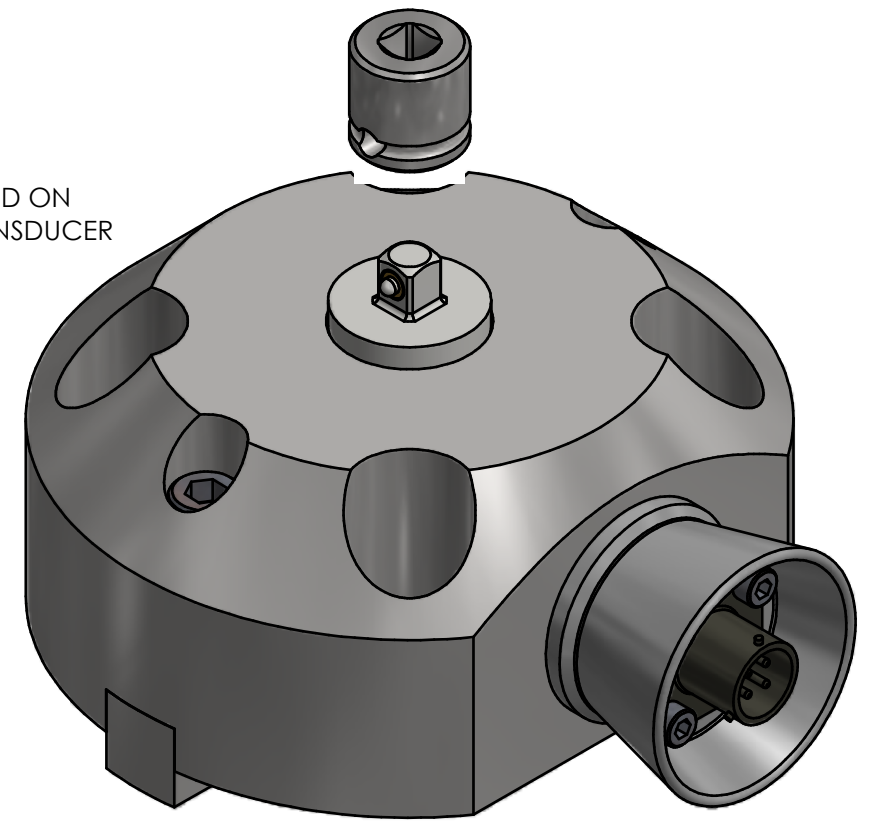
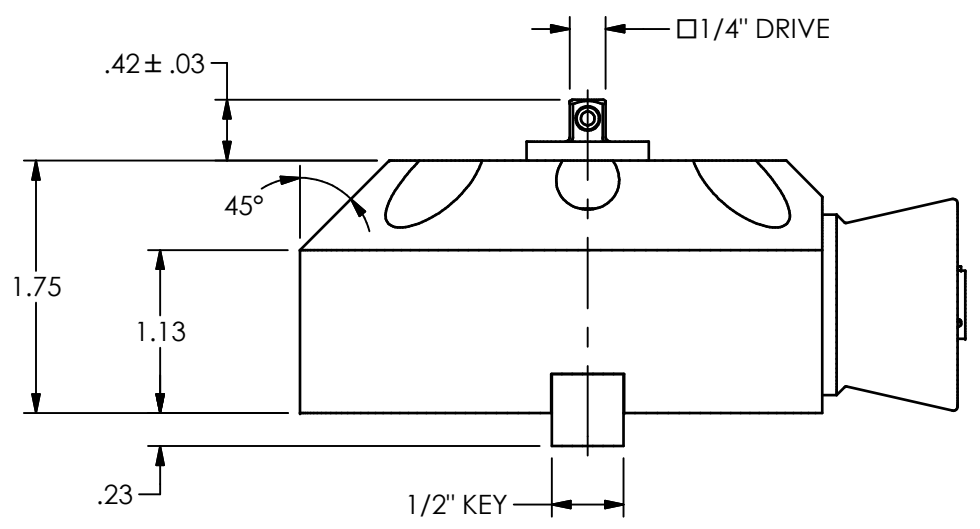
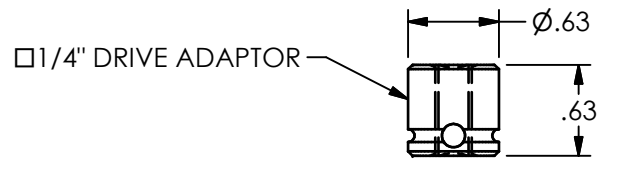
REVISIONS		
REV	DESCRIPTION	ECO
NR	RELEASED FOR PRODUCTION - 01.05.17, PTE	46257

66207



ID LABEL LOCATED ON BOTTOM OF TRANSDUCER

4 PIN RECEPTACLE  
(BENDIX PTO2A-8-4P OR EQUIV.)  
WIRING CODE:  
PIN A +EXC.  
PIN B -EXC.  
PIN C +SIG.  
PIN D -SIG.



ISO VIEW  
SCALE 1 : 1

UNLESS OTHERWISE SPECIFIED TOLERANCES ARE:		DRAWN		CHECKED		ENGINEER		 A PCB GROUP COMPANY	
DIMENSIONS IN INCHES	DIMENSIONS IN MILLIMETERS [ IN BRACKETS ]	PTE	12.05.16	JSD	12.08.16	PTE	12.05.16		24350 Indoplex Circle, Farmington Hills, MI 48335 (248) 888-8260 E-MAIL: linfo@pcb.com
DECIMALS XX ±.01 XXX ±.005	DECIMALS X ±.3 XX ±.13	TITLE OUTLINE DRAWING STATIONARY TORQUE TRANSDUCER 1/4" SQ. DRIVE (STAT-DUCER)						DWG. NO.	66207
ANGLES ± .5 DEGREES	ANGLES ± .5 DEGREES							SCALE:	3/4
FILLETS AND RADII .015 MAX	FILLETS AND RADII 0.38 MAX								