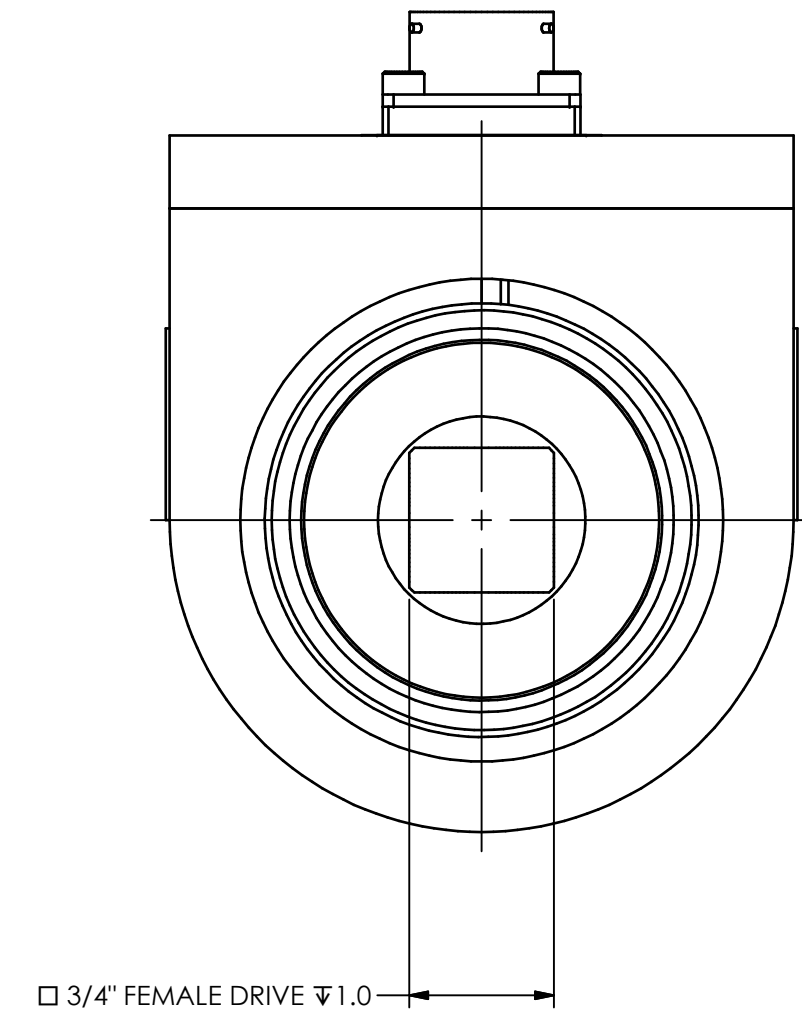
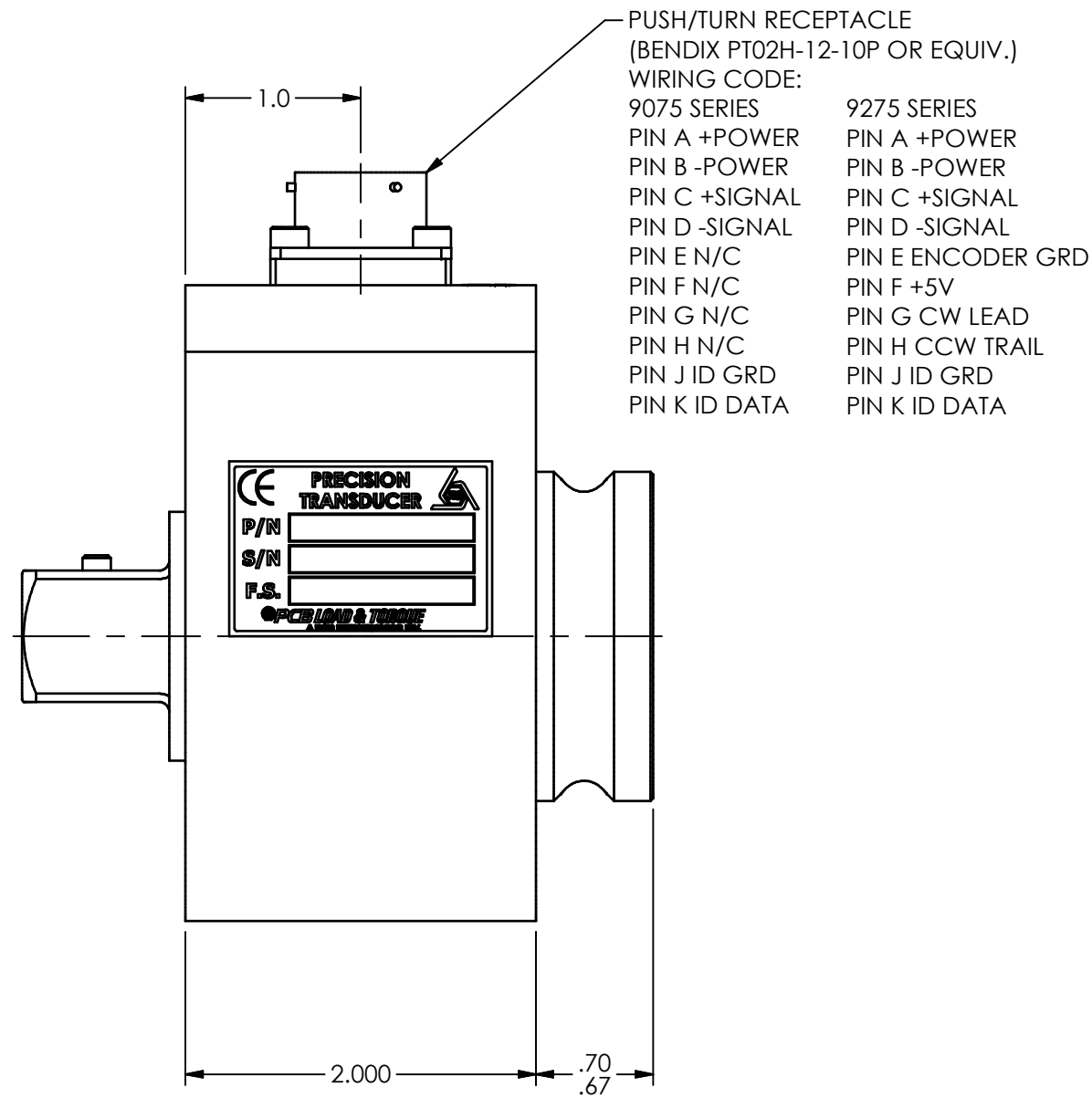
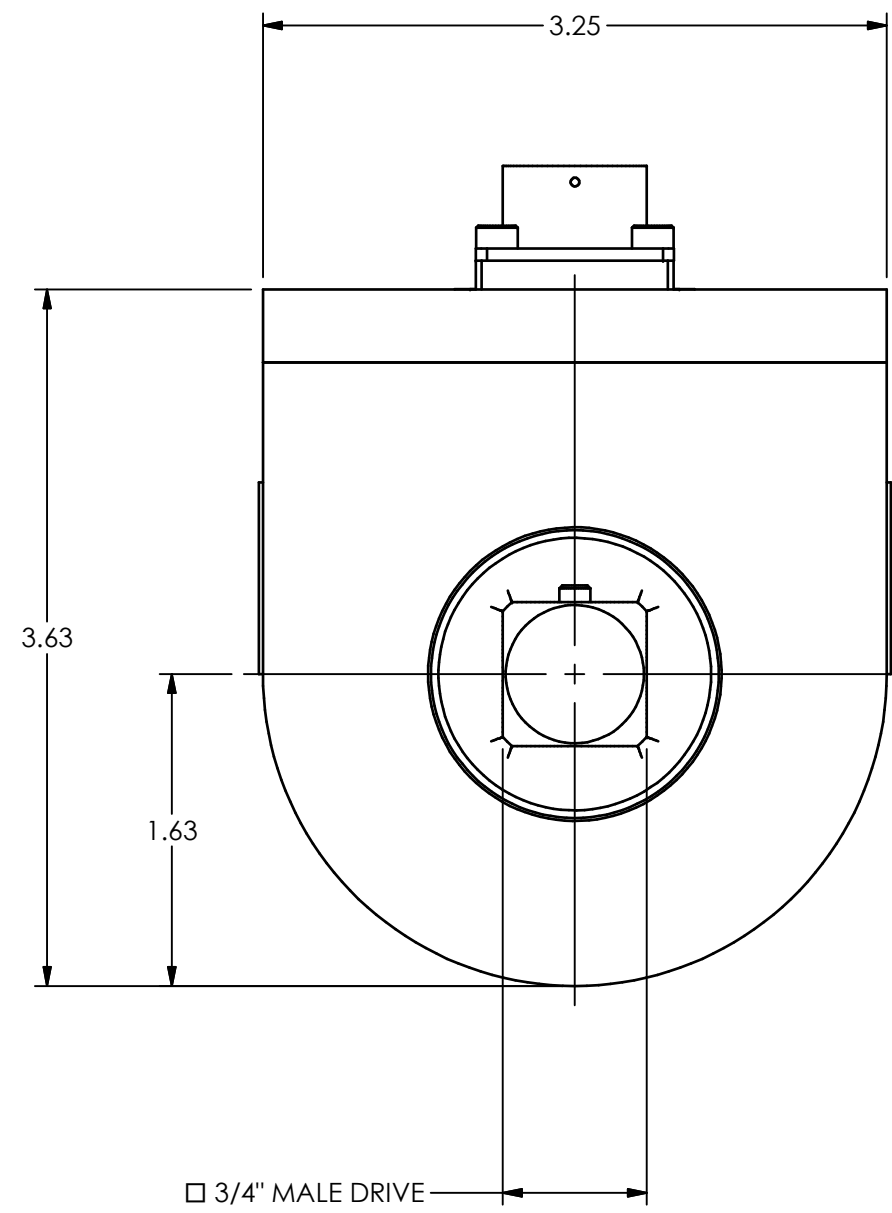
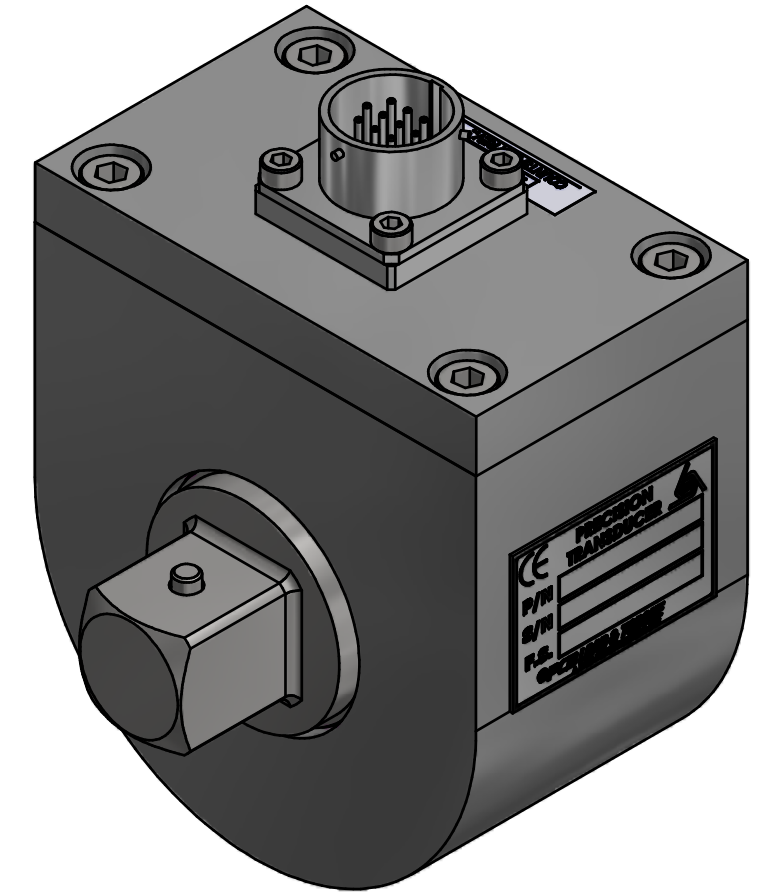
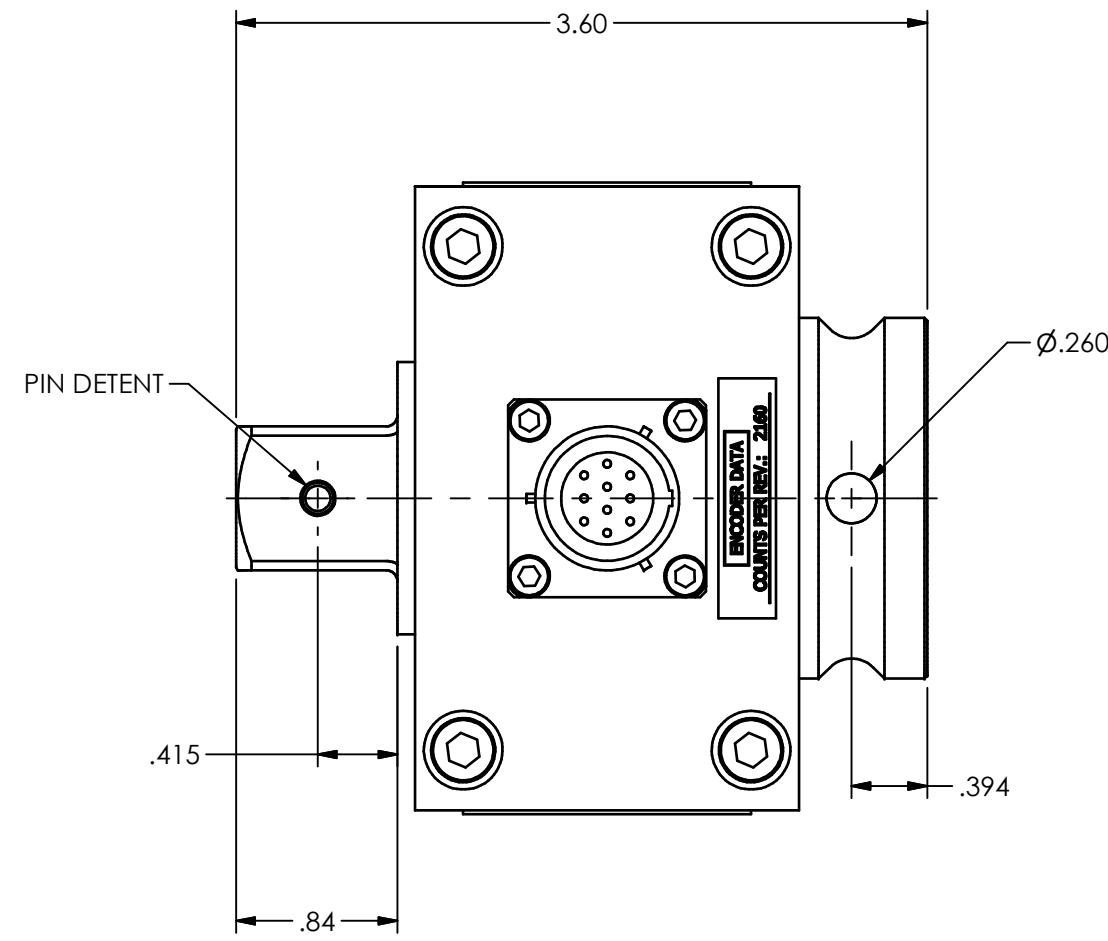


PCB Load & Torque (A Division of PCB Piezotronics, Inc.)  
 claims proprietary rights in the information disclosed herein.  
 Neither it nor any reproduction thereof will be disclosed to  
 others without the written consent of PCB Load and Torque.

63614

REVISIONS		
REV	DESCRIPTION	ECO
A	UPDATED WIRING CODE - 06.21.17, PTE	46925



UNLESS OTHERWISE SPECIFIED  
 DIMENSIONS ARE IN INCHES  
 DECIMALS X ± .05  
 XX ± .01  
 XXX ± .005  
 ANGLES ± .5 DEGREES  
 BREAK SHARP EDGES & CORNERS:  
 .015 X 45°  
 FILLETS AND RADDII R .015 MAX  
 CHAMFER 1ST THREAD

DRAWN	CHECKED	ENGINEER
PTE 01.20.16	JSD 01.20.16	PTE 01.20.16

TITLE  
 OUTLINE DRAWING  
 ROTARY TORQUE TRANSDUCER  
 3/4" SQ. DRIVE 600FTLB CAP.

**PCB LOAD & TORQUE**  
 A PCB GROUP COMPANY

24350 Indoplex Circle, Farmington Hills, MI 48335  
 (248) 888-8260 E-MAIL: [tlinfo@pcb.com](mailto:tlinfo@pcb.com)  
 DWG. NO. **63614**  
 SCALE: FULL SHEET 1 OF 1