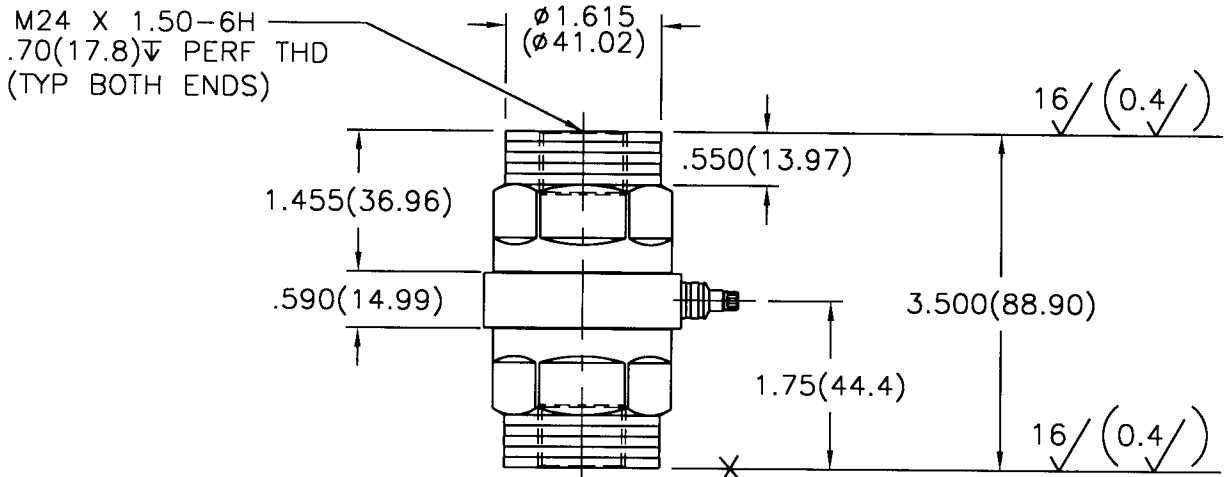
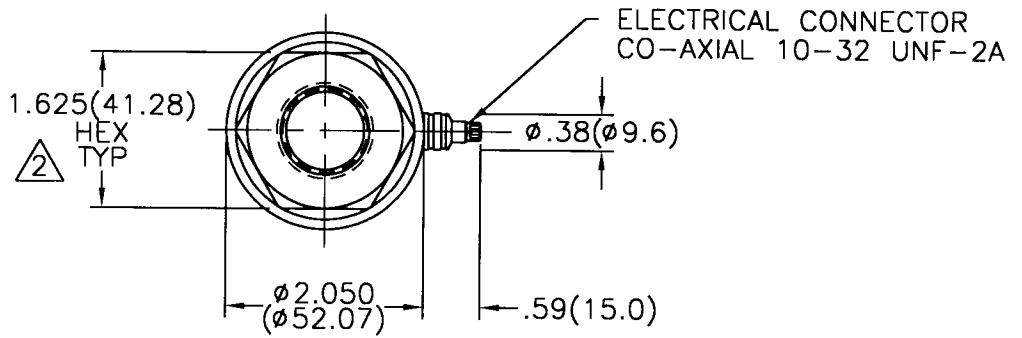


5785

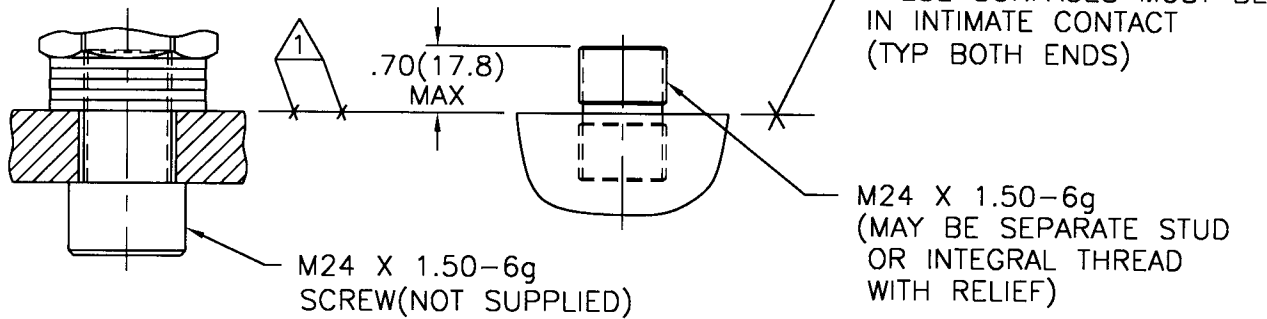
PCB Piezotronics Inc. claims proprietary rights in the information disclosed hereon. Neither it nor any reproduction thereof will be disclosed to others without written consent of PCB Piezotronics Inc.

APPLICATION		
NEXT ASS'Y	USED ON	VAR

REVISIONS				
REV	DESCRIPTION	ECN	DATE	APP'D



ALTERNATE MOUNTING



- 4.) COMPRESSIVE FORCE RESULTS IN POSITIVE GOING OUTPUT VOLTAGE.
- 3.) EPOXY OR LOCTITE MAY BE USED ON THREADS TO LOCK FORCE LINK IN PLACE.
- 2.) RECOMMENDED MOUNTING TORQUE ON 1.625(41.28) HEX 45-50 FOOT POUNDS (61-68 NEWTON METERS).
- 1.) MOUNTING SURFACES MUST BE FLAT TO WITHIN .001(0.03) TIR WITH A MIN $63 \sqrt{(1.6)}$ FIN.

UNLESS SPECIFIED TOLERANCES		DRAWN	<i>RJA</i>	MFG	<i>3/1/97</i>	PCB PIEZOTRONICS, INC. 3425 WALDEN AVE. DEPEW, NEW YORK 14043 PHONE: (716) 684-0001
DIMENSIONS IN INCHES	DIMENSIONS IN MILLIMETERS (IN PARENTHESIS)	CHK'D	<i>RJA</i>	ENGR	<i>3/1/97</i>	
DECIMALS XX ± .01 XXX ± .005	DECIMALS XX ± 0.3 XXX ± 0.13	APP'D	<i>RJA</i>		<i>3/1/97</i>	
ANGLES ± 2 DEGREES	ANGLES ± 2 DEGREES	TITLE	INSTALLATION DRAWING			
FILLETS AND RADII .003 - .005	FILLETS AND RADII (0.07 - 0.13)	MODEL M226C				CODE IDENT. NO. 52681
DD011 REV. A 05/26/95	HERMETIC SEALED ICP FORCE LINK				SCALE: 1=2	DWG. NO. 5785
						SHEET 1 OF 1