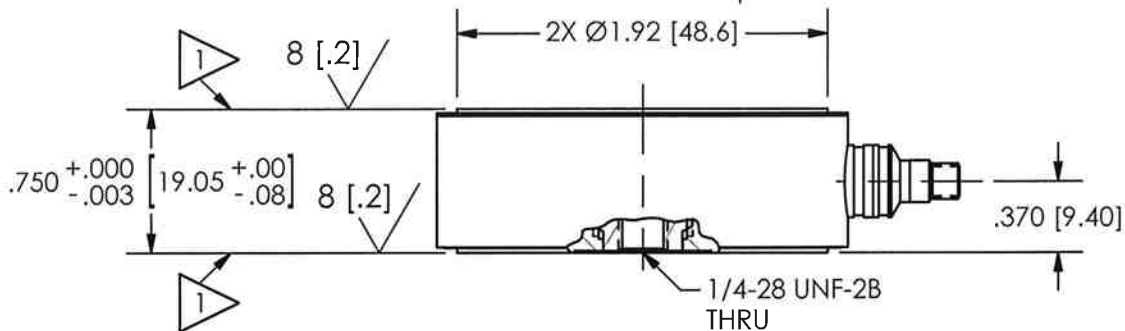
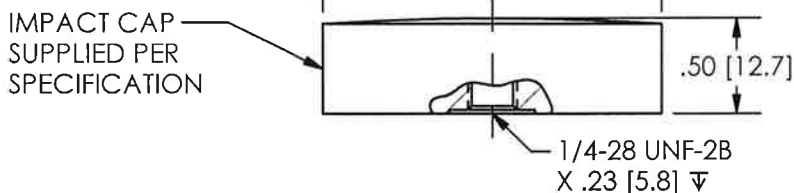
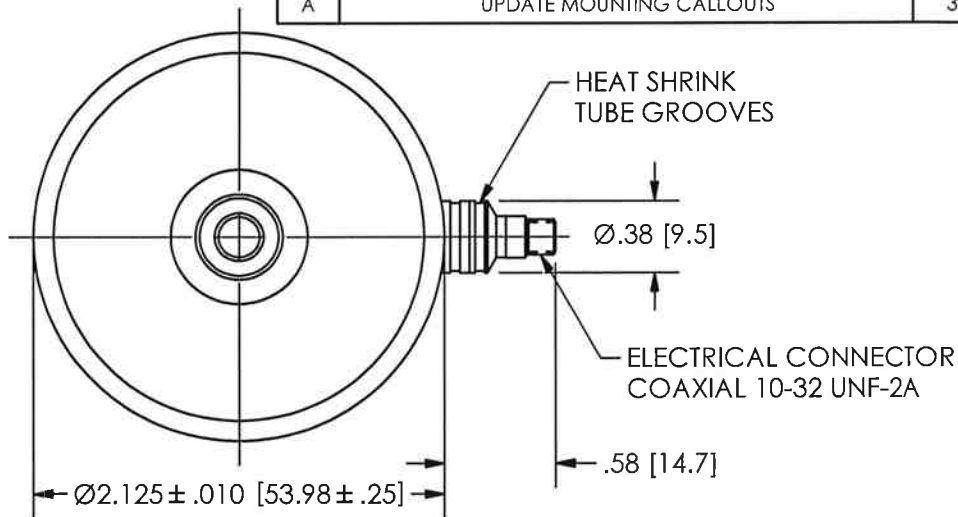


PCB Piezotronics Inc. claims proprietary rights in the information disclosed hereon. Neither it nor any reproduction thereof will be disclosed to others without the written consent of PCB Piezotronics Inc.

REVISIONS		
REV	DESCRIPTION	ECO
NR	RELEASED TO DRAFTING	
A	UPDATE MOUNTING CALLOUTS	30055

5537



3.) TIGHTEN CELL IN PLACE TORQUING BY HAND ONLY. USE LOCKTITE OR EQUIVALENT TO LOCK IN PLACE.

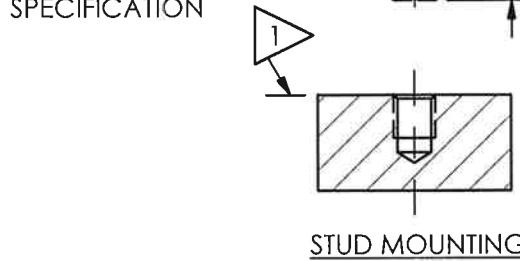
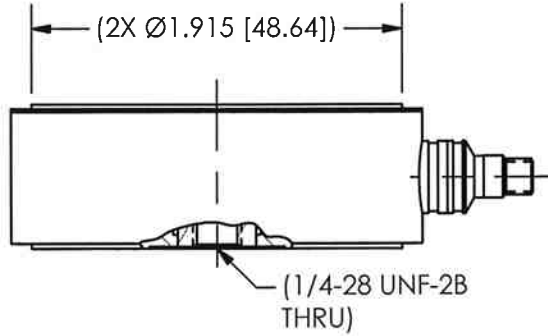
- 2 DRILL PERPENDICULAR TO MOUNTING SURFACE WITHIN ± 1°.
- 1 THIS SURFACE TO BE FLAT WITHIN .001 [.03] TIR WITH A MINIMUM 63 [1.6] FINISH.

UNLESS OTHERWISE SPECIFIED TOLERANCES ARE:		DRAWN	MDF	2/13/09	MFG	APB	2/13/09	 3425 WALDEN AVE. DEPEW, NY 14043 (716) 684-0001 E-MAIL: sales@pcb.com	
DIMENSIONS IN INCHES	DIMENSIONS IN MILLIMETERS [IN BRACKETS]	CHK'D	EB	2/13/09	ENGR	BM	2/13/09		
DECIMALS XX ±.01 XXX ±.005	DECIMALS X ±0.3 XX ±0.13	APP'D	EB	2/13/09	SALES	RWM	2/13/09		
ANGLES ± 2 DEGREES	ANGLES ± 2 DEGREES	TITLE						CODE IDENT. NO. 52681	DWG. NO. 5537
FILLETS AND RADII .003 - .005	FILLETS AND RADII [0.07 - 0.13]	INSTALLATION DRAWING MODEL 200C50 SERIES IMPACT TRANSDUCER						SCALE: FULL	SHEET 1 OF 2

PCB Piezotronics Inc. claims proprietary rights in the information disclosed hereon. Neither it nor any reproduction thereof will be disclosed to others without the written consent of PCB Piezotronics Inc.

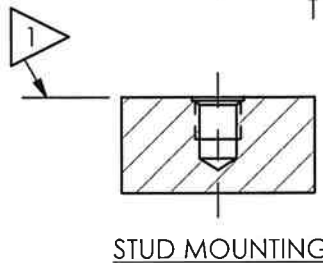
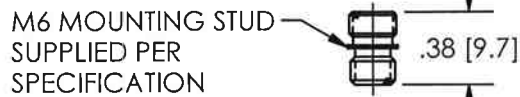
5537

REVISIONS		
REV	DESCRIPTION	ECO
	- SEE SHEET ONE -	



STANDARD MOUNTING HOLE PREPARATION

\varnothing .218 [5.54]
 X .300 [7.62] ∇ 2
 1/4-28 UNF-2B
 X .200 [5.08] ∇
 MIN PERFECT THREAD



METRIC MOUNTING HOLE PREPARATION

\varnothing .199 [5.05]
 X .320 [8.13] ∇ 2
 \perp \varnothing .270 [6.86]
 X .020 [.51] ∇
 M6 X 1-6H
 X .220 [5.59] ∇
 MIN PERFECT THREAD

UNLESS OTHERWISE SPECIFIED TOLERANCES ARE:		DRAWN	MDF	2/13/09	MFG	APB	2/13/09	 3425 WALDEN AVE. DEPEW, NY 14043 (716) 684-0001 E-MAIL: sales@pcb.com	
DIMENSIONS IN INCHES	DIMENSIONS IN MILLIMETERS [IN BRACKETS]	CHK'D	ECB	2/13/09	ENGR	BM	2/13/09		
DECIMALS XX ±.01 XXX ±.005	DECIMALS X ±0.3 XX ±0.13	APP'D	EB	2/13/09	SALES	RWM	2/13/09		
ANGLES ± 2 DEGREES	ANGLES ± 2 DEGREES	TITLE INSTALLATION DRAWING MODEL 200C50 SERIES IMPACT TRANSDUCER						CODE IDENT. NO. 52681	DWG. NO. 5537
FILLETS AND RADII .003 - .005	FILLETS AND RADII [0.07 - 0.13]							SCALE: FULL	SHEET 2 OF 2