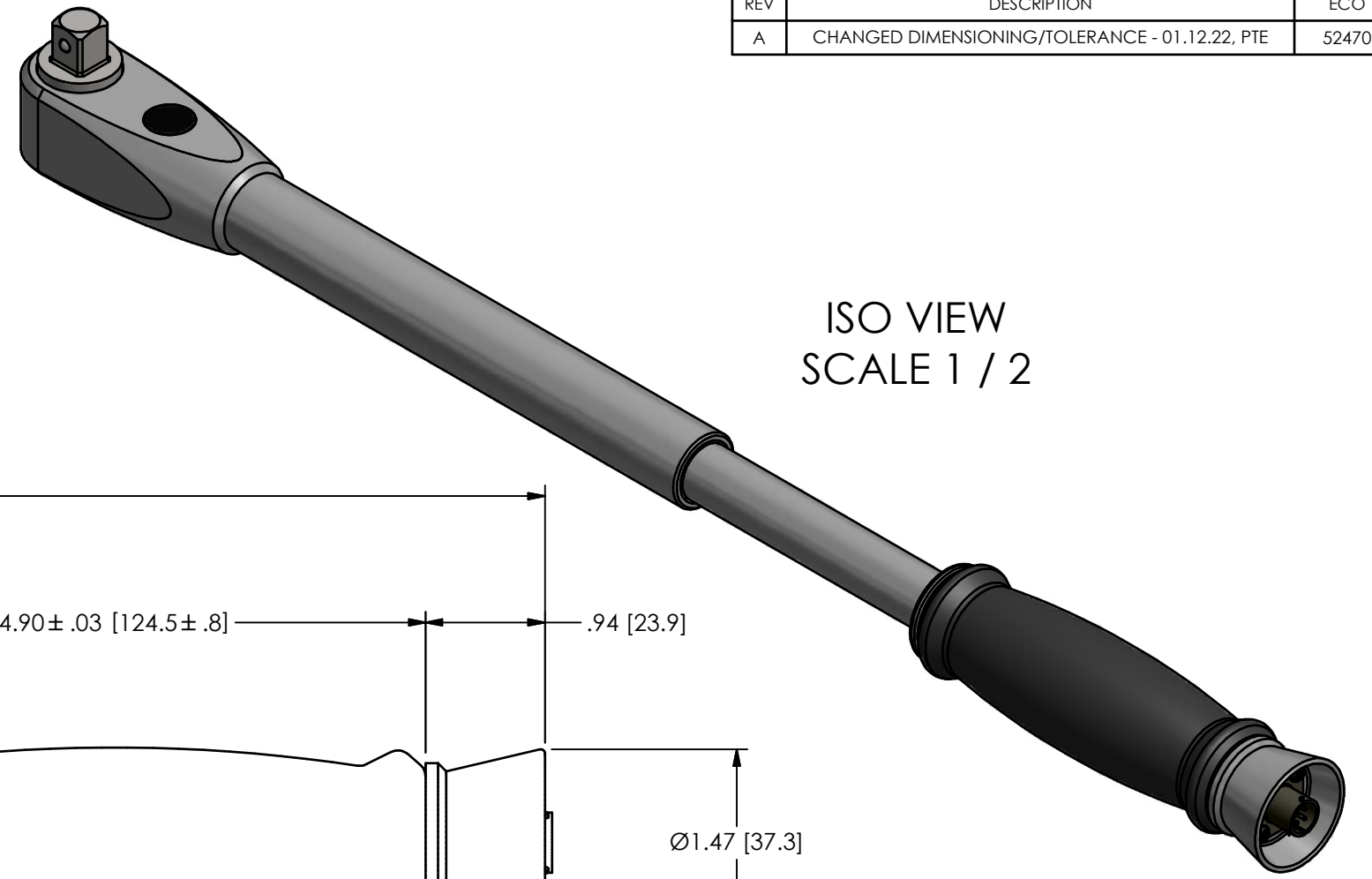


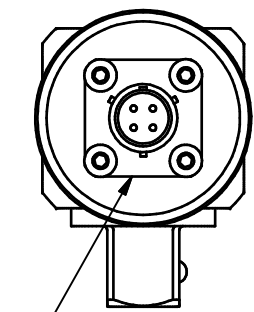
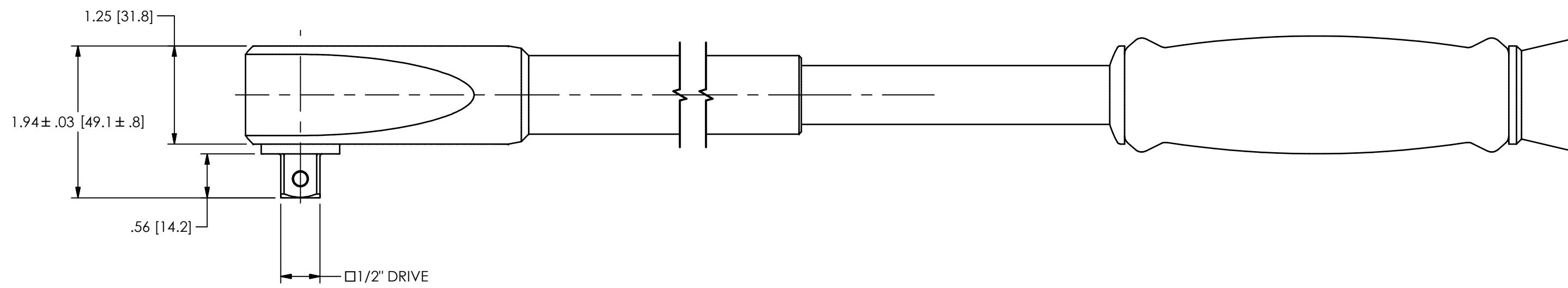
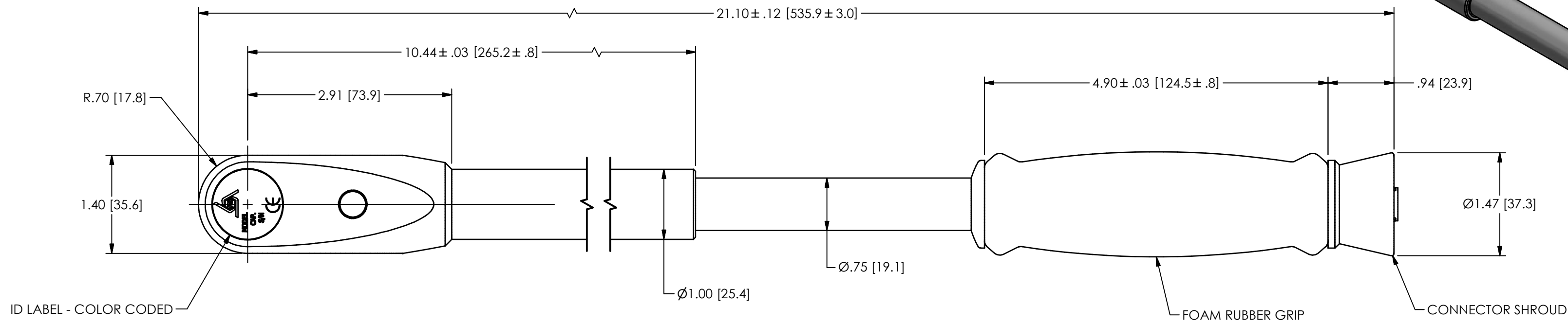
PCB Load & Torque (A Division of PCB Piezotronics, Inc.)
 claims proprietary rights in the information disclosed herein.
 Neither it nor any reproduction thereof will be disclosed to
 others without the written consent of PCB Load and Torque.

52104

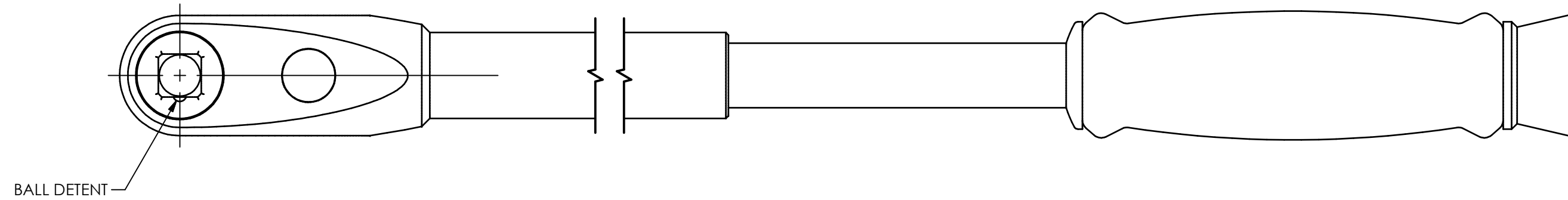
REVISIONS		
REV	DESCRIPTION	ECO
A	CHANGED DIMENSIONING/TOLERANCE - 01.12.22, PTE	52470



ISO VIEW
 SCALE 1 / 2



PUSH/TURN RECEPTACLE
 (PT02H-8-4P OR EQUIV.)
 WIRING CODE:
 PIN A +EXC.
 PIN B -EXC.
 PIN C +SIG.
 PIN D -SIG.



BALL DETENT

UNLESS OTHERWISE SPECIFIED TOLERANCES ARE:		DRAWN	CHECKED	ENGINEER	 <small>24350 Indoplex Circle, Farmington Hills, MI 48335 (248) 888-8260 E-MAIL: ltlmfo@pcb.com</small>		
DIMENSIONS IN INCHES	DIMENSIONS IN MILLIMETERS [IN BRACKETS]	PTE	01.19.17	JSD		01.23.17	PTE
DECIMALS XX ±.01 XXX ±.005	DECIMALS X ± 0.3 XX ± 0.13	TITLE		OUTLINE DRAWING 1/2" SQ. DRIVE (027250-04XXX) HAND TORQUE WRENCH		DWG. NO. 52104	
ANGLES ± .5 DEGREES	ANGLES ± .5 DEGREES	FILLETS AND RADII .015 MAX		FILLETS AND RADII 0.38 MAX		SCALE: 3/4 SHEET 1 OF 1	