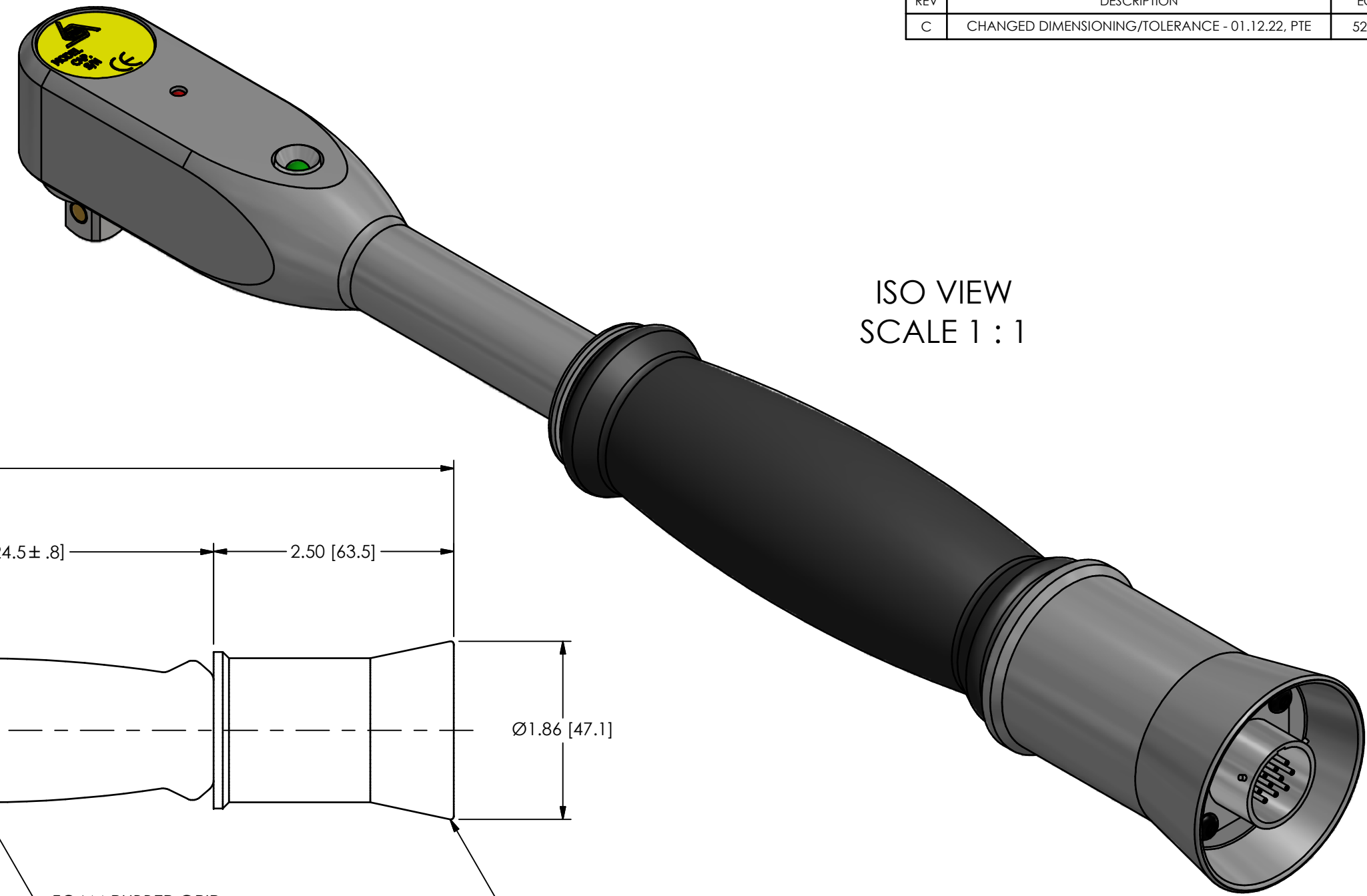


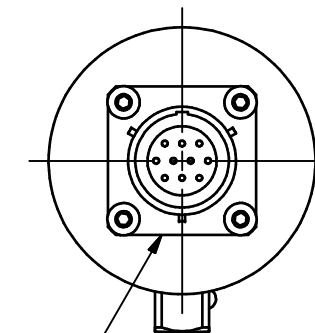
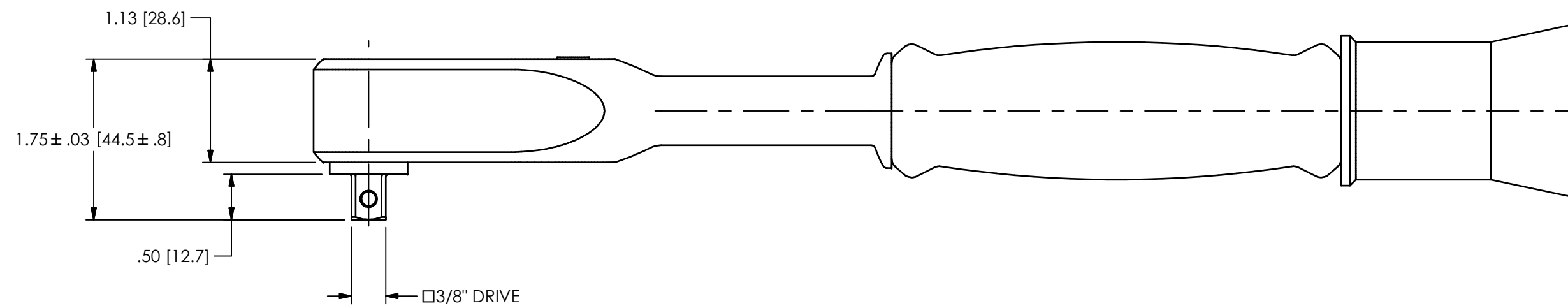
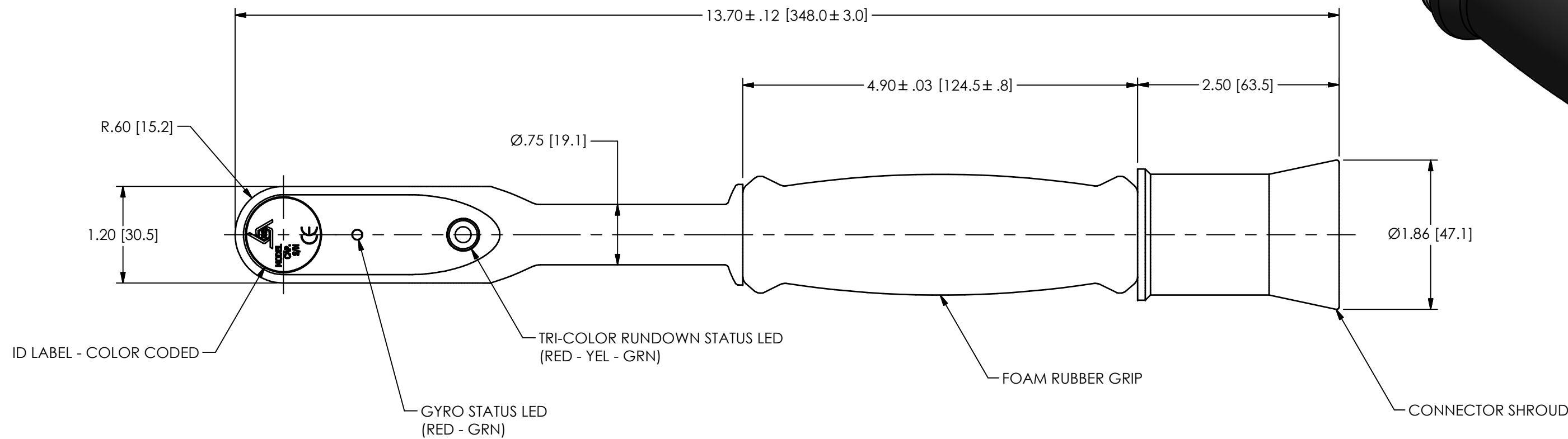
PCB Load & Torque (A Division of PCB Piezotronics, Inc.)
 claims proprietary rights in the information disclosed herein.
 Neither it nor any reproduction thereof will be disclosed to
 others without the written consent of PCB Load and Torque.

49867

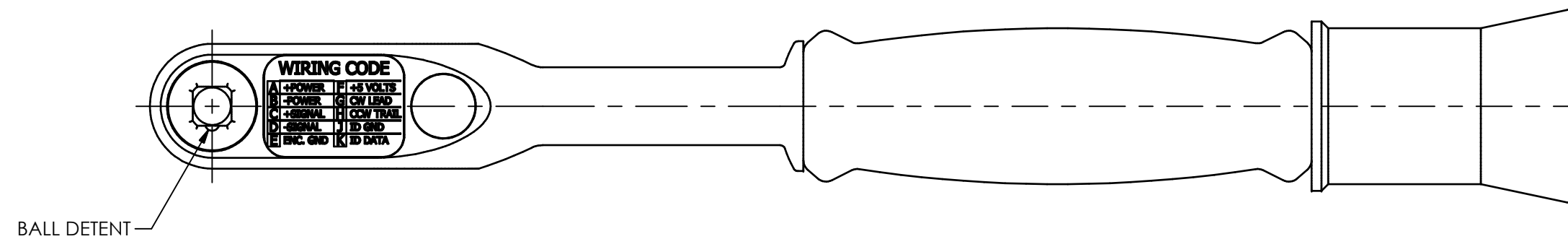
REVISIONS		
REV	DESCRIPTION	ECO
C	CHANGED DIMENSIONING/TOLERANCE - 01.12.22, PTE	52470



ISO VIEW
 SCALE 1 : 1



PUSH/TURN RECEPTACLE
 (PT02A-12-10P OR EQUIV.)
 WIRING CODE:
 PIN A +EXC.
 PIN B -EXC.
 PIN C +SIG.
 PIN D -SIG.
 PIN E ENC. GRD
 PIN F +5 VOLTS
 PIN G CW LEAD
 PIN H CCW TRAIL
 PIN J ID GRD
 PIN K ID DATA



UNLESS OTHERWISE SPECIFIED TOLERANCES ARE:		DRAWN	CHECKED	ENGINEER	
DIMENSIONS IN INCHES	DIMENSIONS IN MILLIMETERS [IN BRACKETS]	PTE	08.01.16	JSD	08.30.16
DECIMALS XX ±.01 XXX ±.005	DECIMALS X ± 0.3 XX ± 0.13	TITLE		JAM	08.01.16
ANGLES ± .5 DEGREES	ANGLES ± .5 DEGREES	OUTLINE DRAWING 3/8" SQ DRIVE (027137-07XXX) HAND TORQUE ANGLE WRENCH			
FILLETS AND RADII .015 MAX	FILLETS AND RADII 0.38 MAX	PCB LOAD & TORQUE A PCB GROUP COMPANY			
		24350 Indoplex Circle, Farmington Hills, MI 48335 (248) 888-8260 E-MAIL: llimfo@pcb.com			
		DWG. NO. 49867			
		SCALE: 3/4		SHEET 1 OF 1	