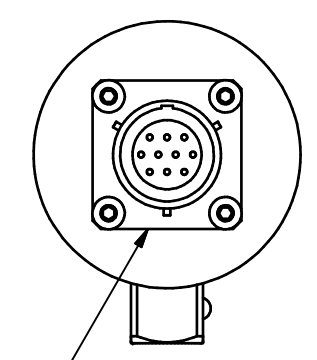
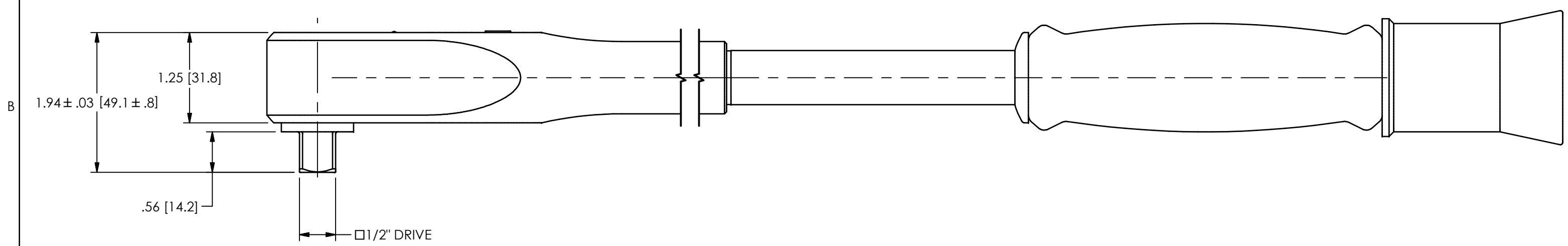
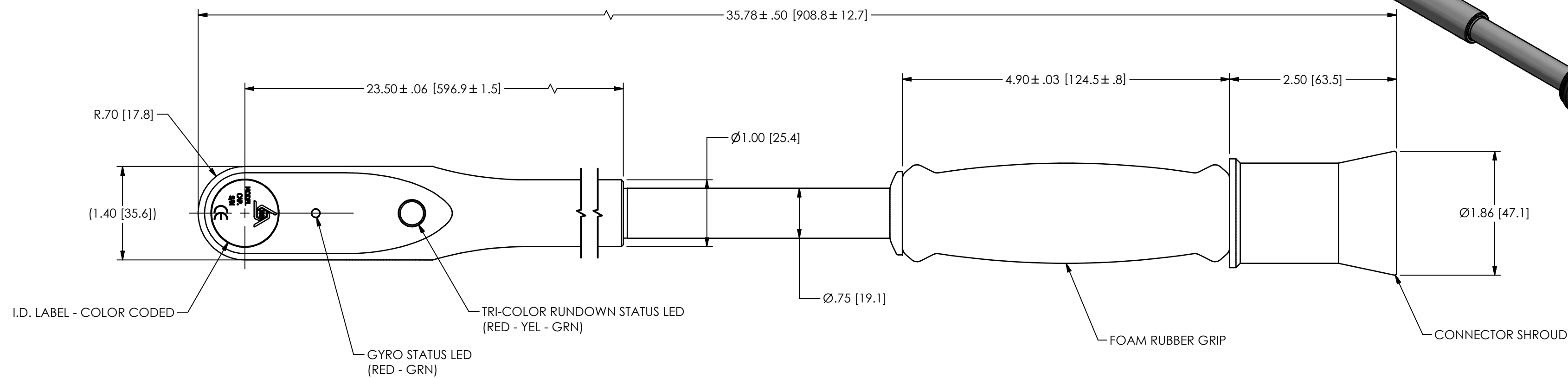
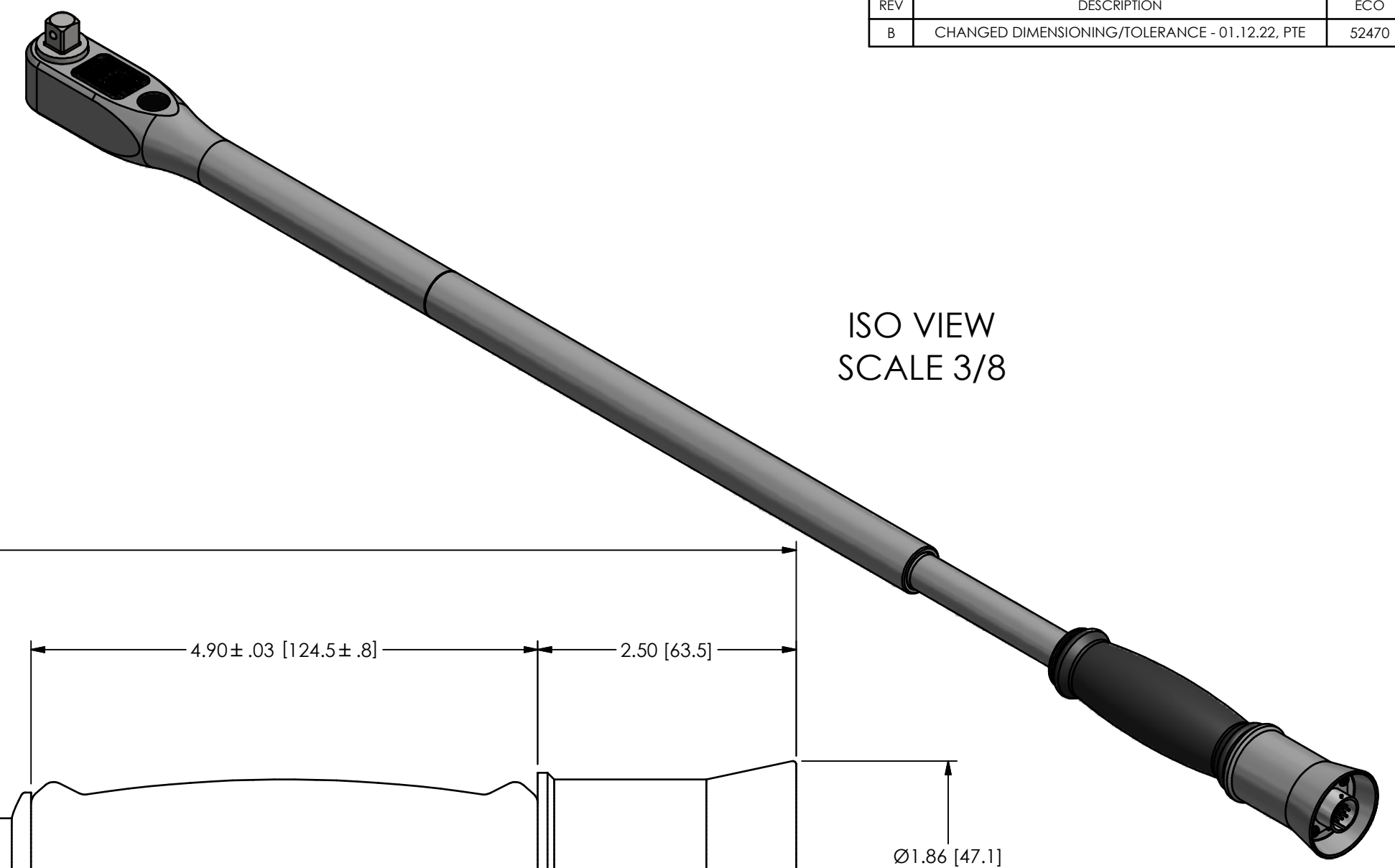


PCB Load & Torque (A Division of PCB Piezotronics, Inc.)
 claims proprietary rights in the information disclosed herein.
 Neither it nor any reproduction thereof will be disclosed to
 others without the written consent of PCB Load and Torque.

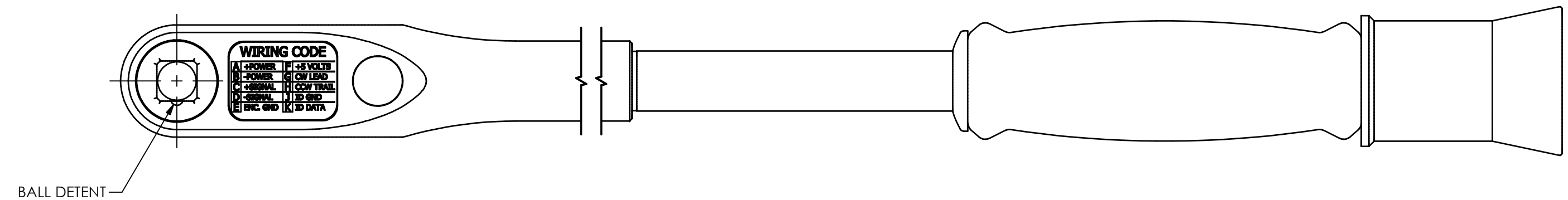
49492

REVISIONS		
REV	DESCRIPTION	ECO
B	CHANGED DIMENSIONING/TOLERANCE - 01.12.22, PTE	52470

ISO VIEW
 SCALE 3/8



PUSH/TURN RECEPTACLE
 (PT02A-12-10P OR EQUIV.)
 WIRING CODE:
 PIN A +EXC.
 PIN B -EXC.
 PIN C +SIG.
 PIN D- SIG.
 PIN E ENC. GRD
 PIN F +5 VOLTS
 PIN G CW LEAD
 PIN H CCW TRAIL
 PIN J ID GRD
 PIN K ID DATA



UNLESS OTHERWISE SPECIFIED TOLERANCES ARE:		DRAWN	CHECKED	ENGINEER	PCB LOAD & TORQUE A PCB GROUP COMPANY
DIMENSIONS IN INCHES	DIMENSIONS IN MILLIMETERS [IN BRACKETS]	PTE	11.01.16	JAM	
DECIMALS XX ±.01 XXX ±.005	DECIMALS X ± 0.3 XX ± 0.13	TITLE			24350 Indoplex Circle, Farmington Hills, MI 48335 (248) 888-8260 E-MAIL: l1mfo@pcb.com
ANGLES ± .5 DEGREES	ANGLES ± .5 DEGREES	OUTLINE DRAWING 1/2" SQ DRIVE, HI CAP. (027250-07XXX) HAND TORQUE/ANGLE WRENCH			DWG. NO. 49492
FILLETS AND RADII .015 MAX	FILLETS AND RADII 0.38 MAX	SCALE: 3/4			SHEET