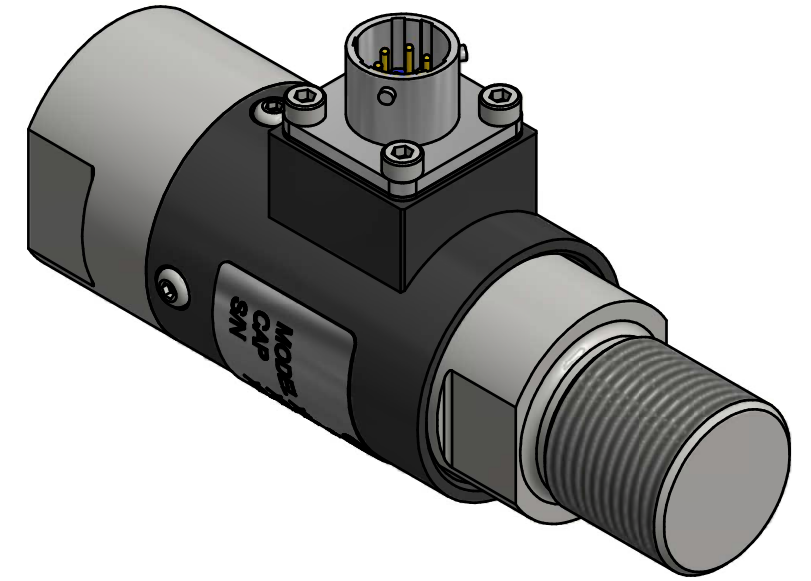
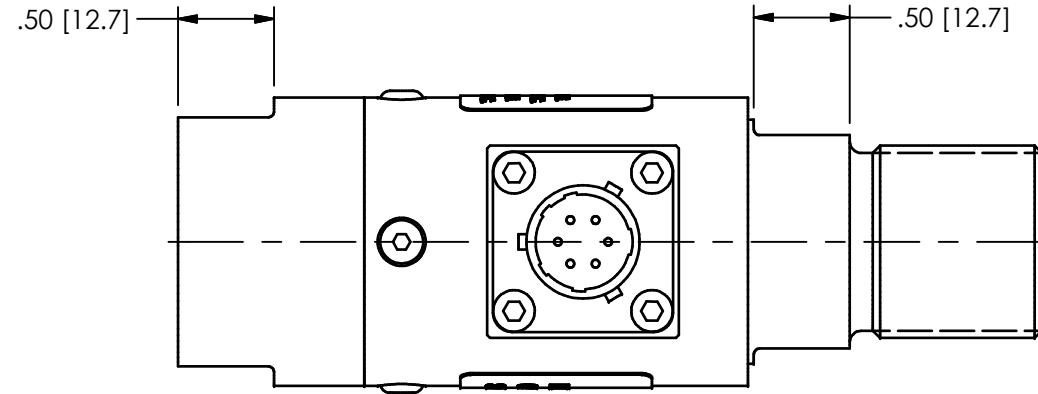


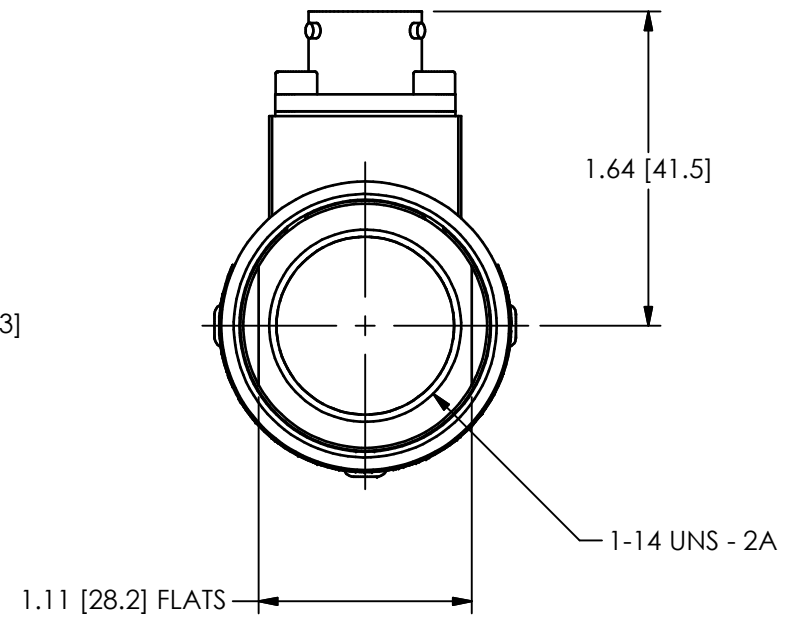
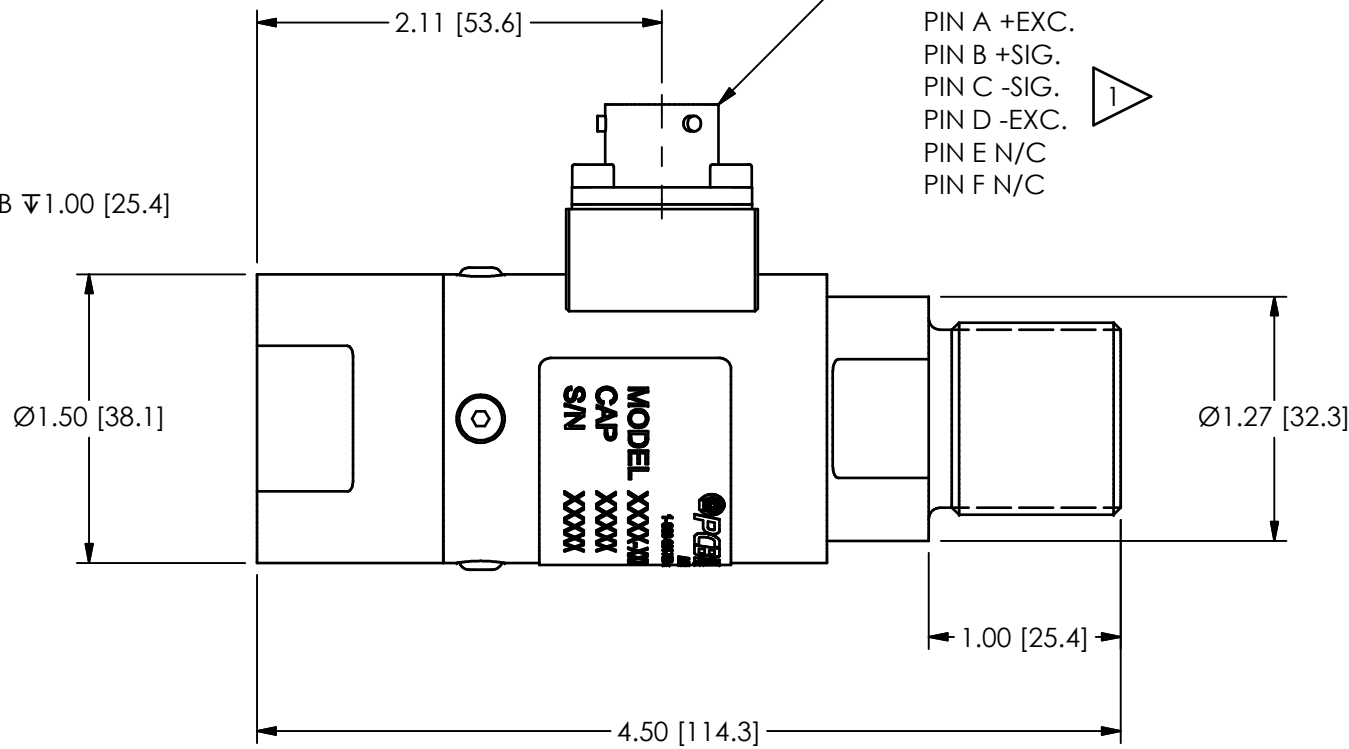
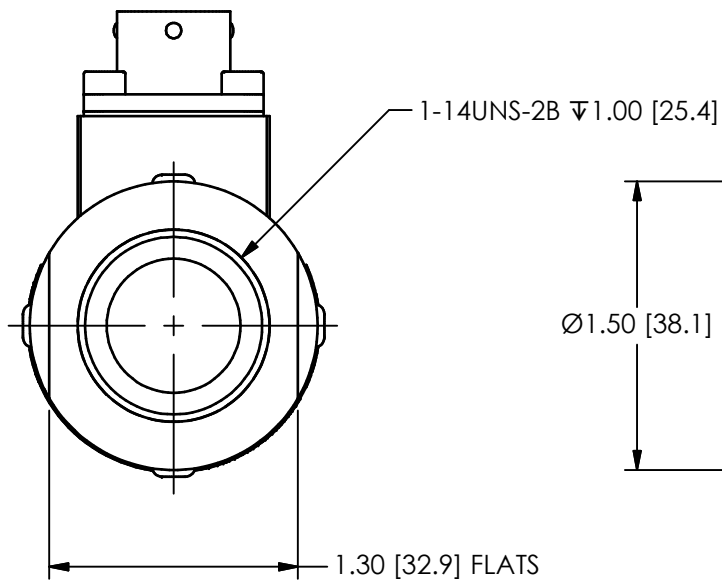
PCB Load & Torque Inc. claims proprietary rights in the information disclosed hereon. Neither it nor any reproduction thereof will be disclosed to others without the written consent of PCB Load and Torque Inc.

45728

REVISIONS		
REV	DESCRIPTION	ECO
A	UPDATED WIRING CODE - 04.11.18, PTE	48107



PUSH/TURN RECEPTACLE  
(BENDIX PT02E-10-6P OR EQUIV.)  
WIRING CODE:  
PIN A +EXC.  
PIN B +SIG.  
PIN C -SIG.  
PIN D -EXC.  
PIN E N/C  
PIN F N/C



1 WIRING CODE FOR MODELS WITH "TEDS" OPTION  
PIN A +EXC.  
PIN B +SIG.  
PIN C -SIG.  
PIN D -EXC.  
PIN E TEDS DATA  
PIN F TEDS GRD

UNLESS OTHERWISE SPECIFIED TOLERANCES ARE:		DRAWN	CHECKED	ENGINEER	 24350 Indoplex Circle, Farmington Hills, MI 48335 (716) 684-0001 E-MAIL: linfo@pcbloadtorque.com		
DIMENSIONS IN INCHES	DIMENSIONS IN MILLIMETERS [IN BRACKETS]	PTE	04.11.18	JSD		04.11.18	JSD
DECIMALS XX ±.01 XXX ±.005	DECIMALS X ±.3 XX ±.13	TITLE			OUTLINE DRAWING MODEL 1381-XXA SERIES ROD END LOAD CELL		
ANGLES ± .5 DEGREES	ANGLES ± .5 DEGREES	DWG. NO.			45728		
FILLETS AND RADII .015 MAX	FILLETS AND RADII 0.38 MAX	SCALE: FULL			SHEET 1 OF 1		