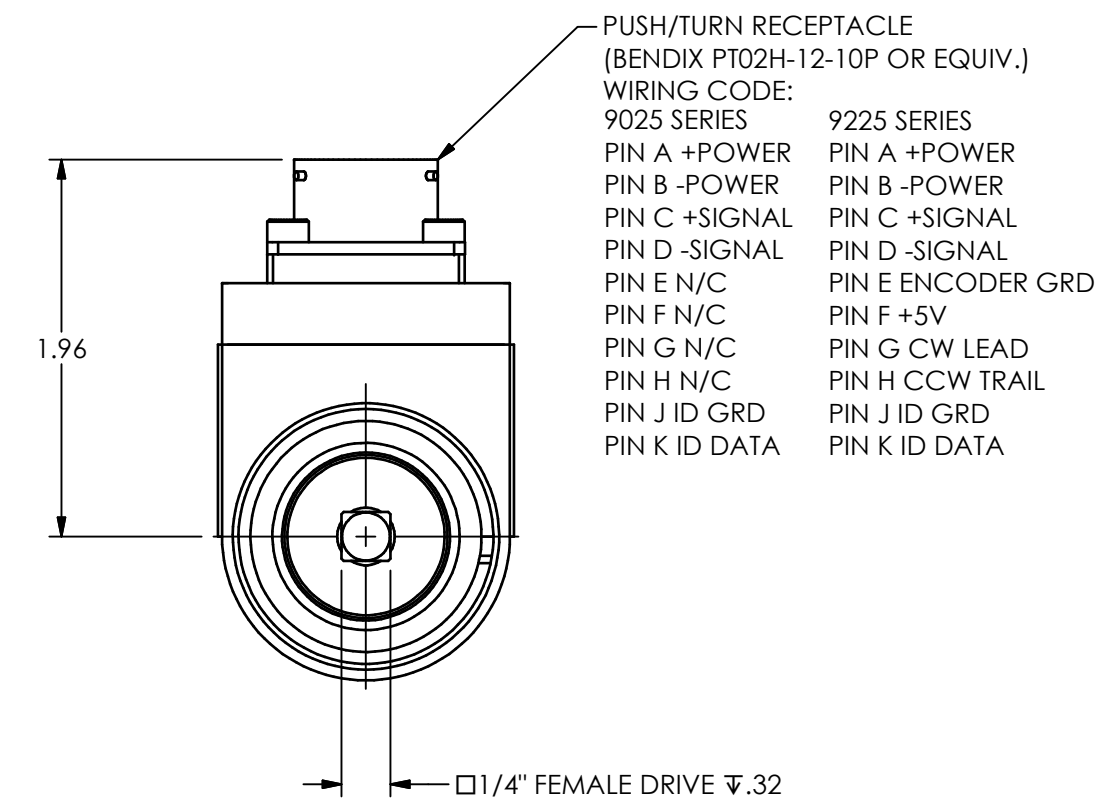
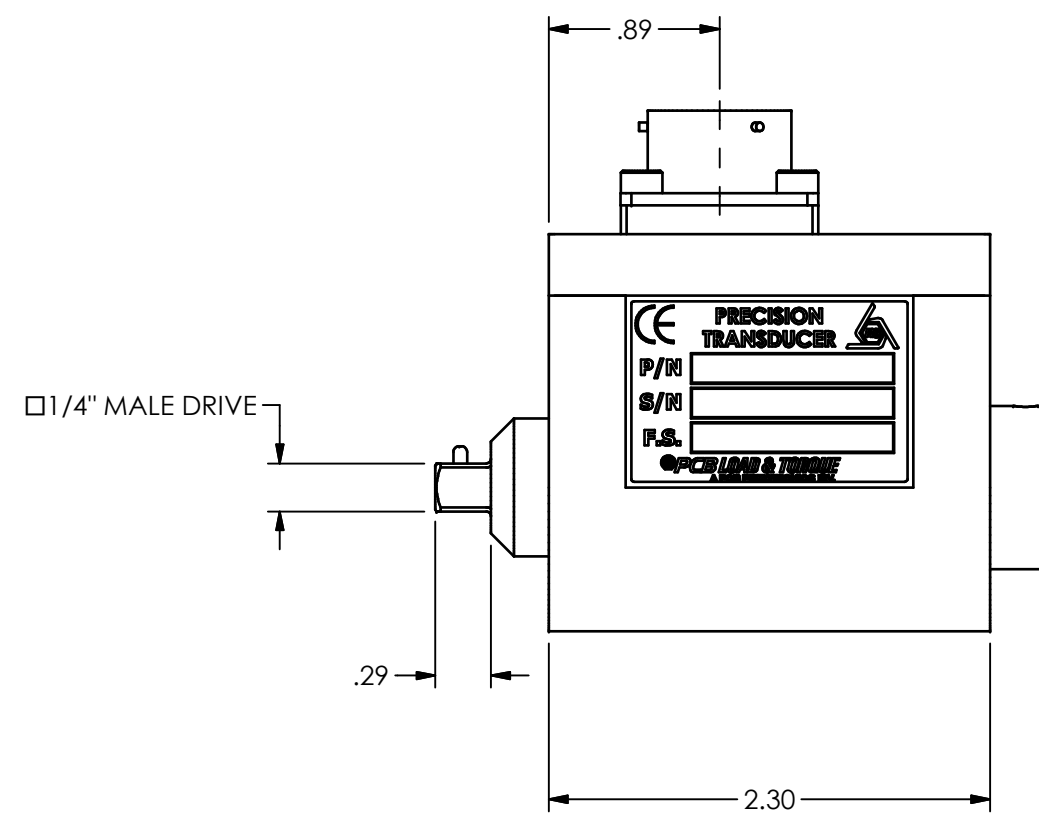
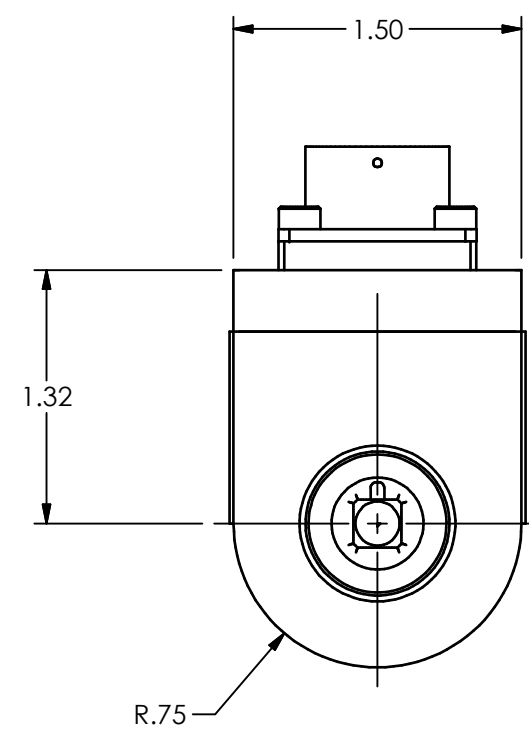
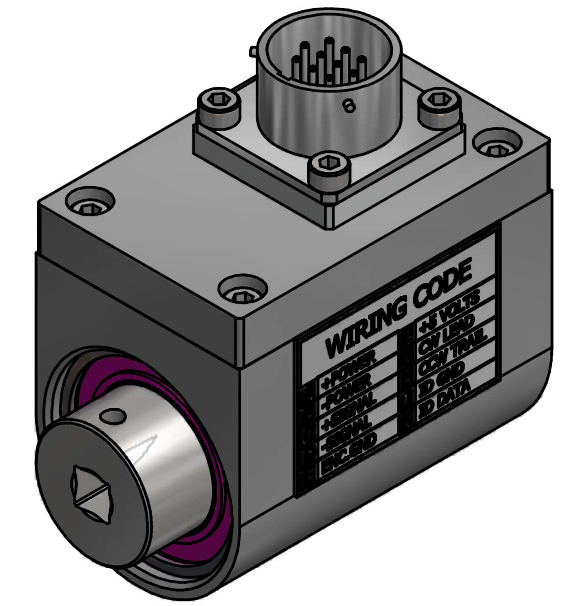
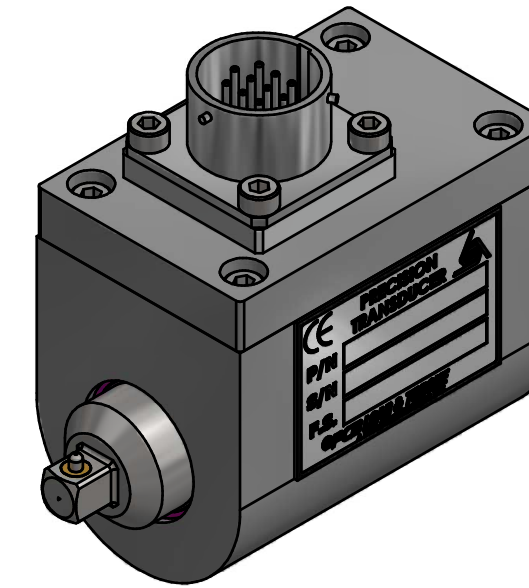
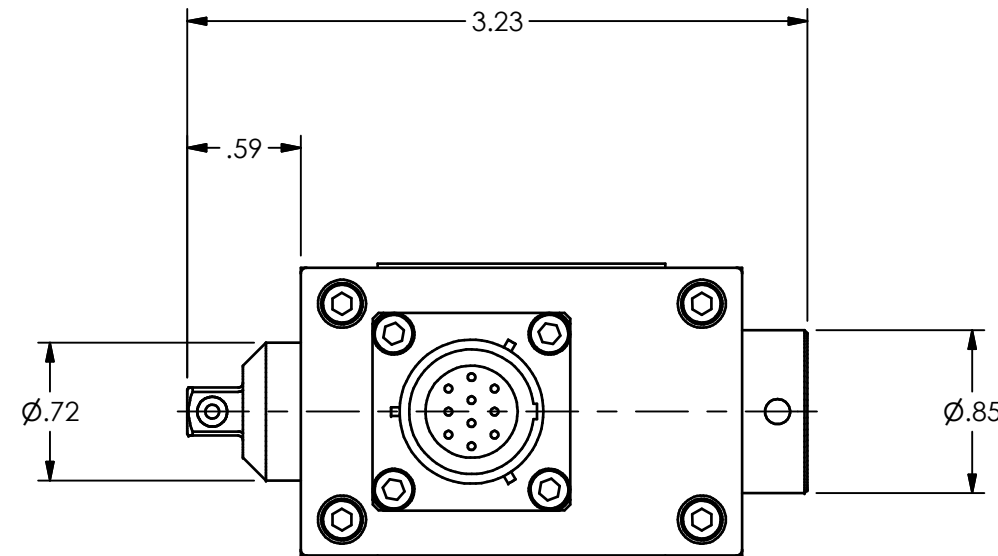


PCB Load & Torque Inc. claims proprietary rights in the information disclosed hereon. Neither it nor any reproduction thereof will be disclosed to others without the written consent of PCB Load and Torque Inc.

45187

REVISIONS		
REV	DESCRIPTION	ECO
A	CORRECTED DIMS AND WIRING CODE - 06.21.17, PTE	46925



UNLESS OTHERWISE SPECIFIED TOLERANCES ARE:		DRAWN	CHECKED	ENGINEER	 24350 Indoplex Circle, Farmington Hills, MI 48335 (716) 684-0001 E-MAIL: <a href="mailto:itinfo@pcbloadtorque.com">itinfo@pcbloadtorque.com</a> DWG. NO. <b>45187</b> SCALE: FULL SHEET 1 OF 1		
DIMENSIONS IN INCHES	DIMENSIONS IN MILLIMETERS [IN BRACKETS]	PTE	3/22/12	JAM		3/22/12	PTE
DECIMALS XX ±.01 XXX ±.005	DECIMALS X ± 0.3 XX ± 0.13	TITLE			OUTLINE DRAWING ROTARY TORQUE 1/4" SQ. DRIVE, 10 PIN		
ANGLES ± .5 DEGREES	ANGLES ± .5 DEGREES	FILLETS AND RADII .015 MAX			FILLETS AND RADII 0.38 MAX		