

28581

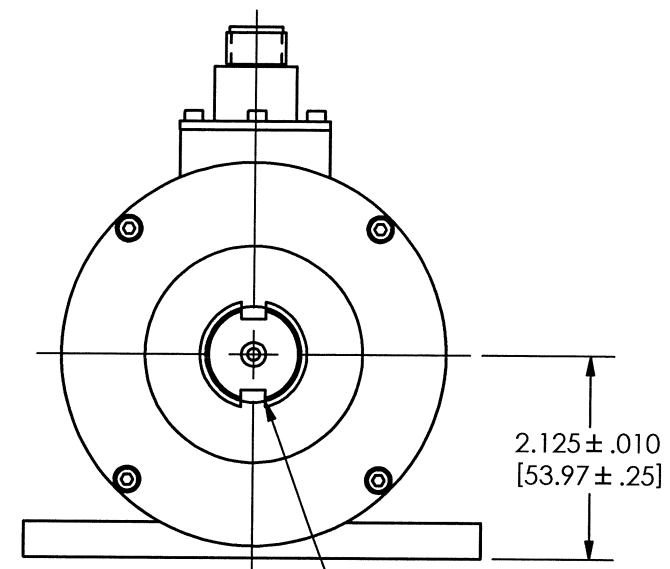
APPLICATION

NEXT ASSY	USED ON	VAR
	4104-01A	

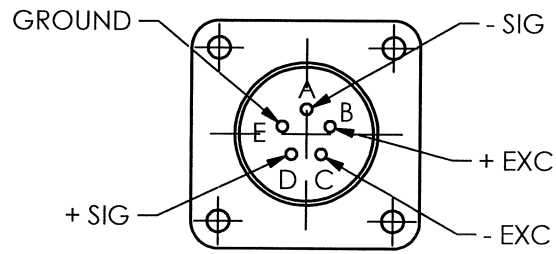
PCB Piezotronics Inc. claims proprietary rights in the information disclosed hereon. Neither it nor any reproduction thereof will be disclosed to others without the written consent of PCB Piezotronics Inc.

REVISIONS

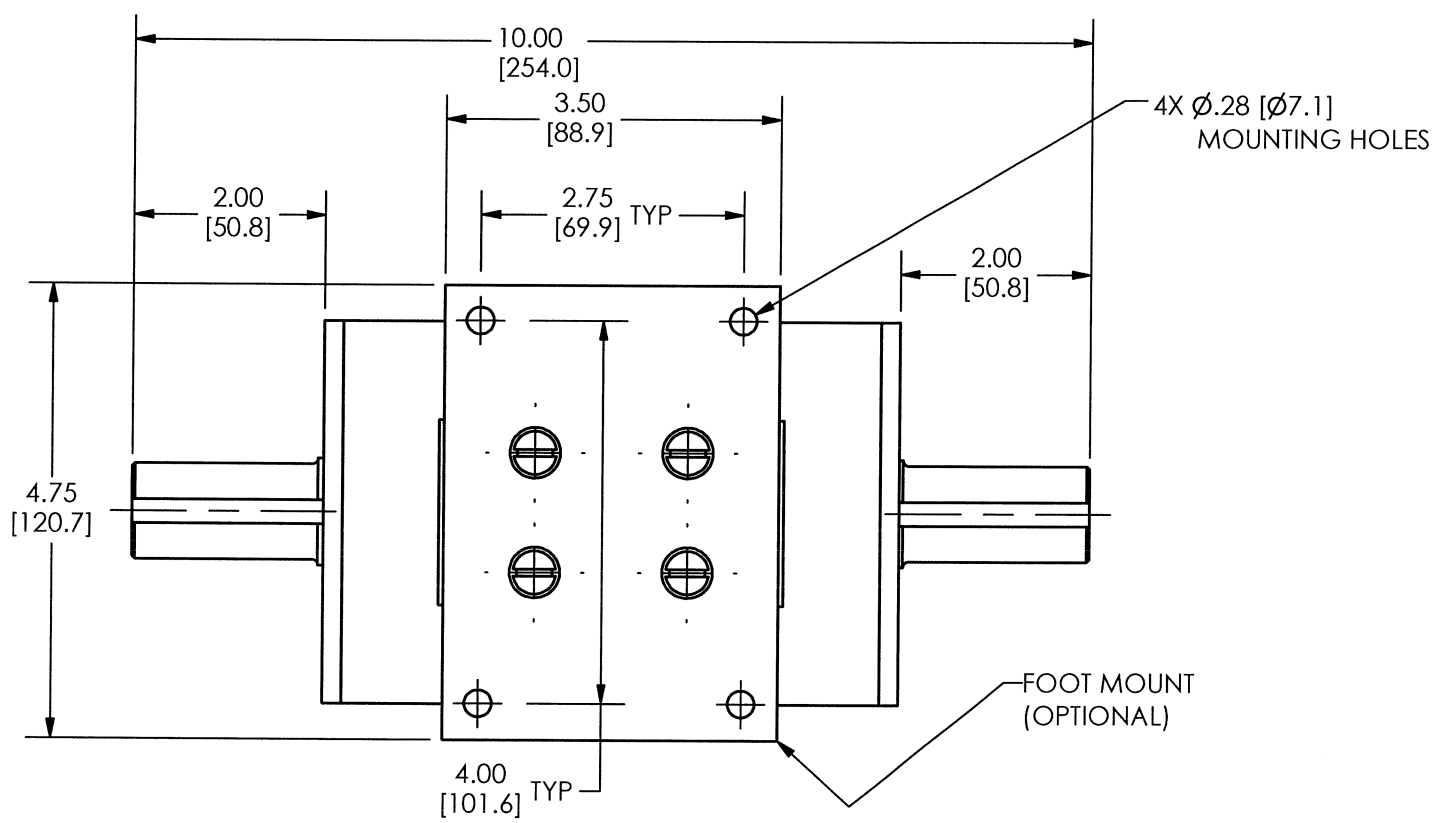
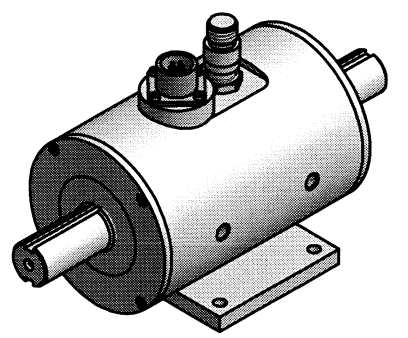
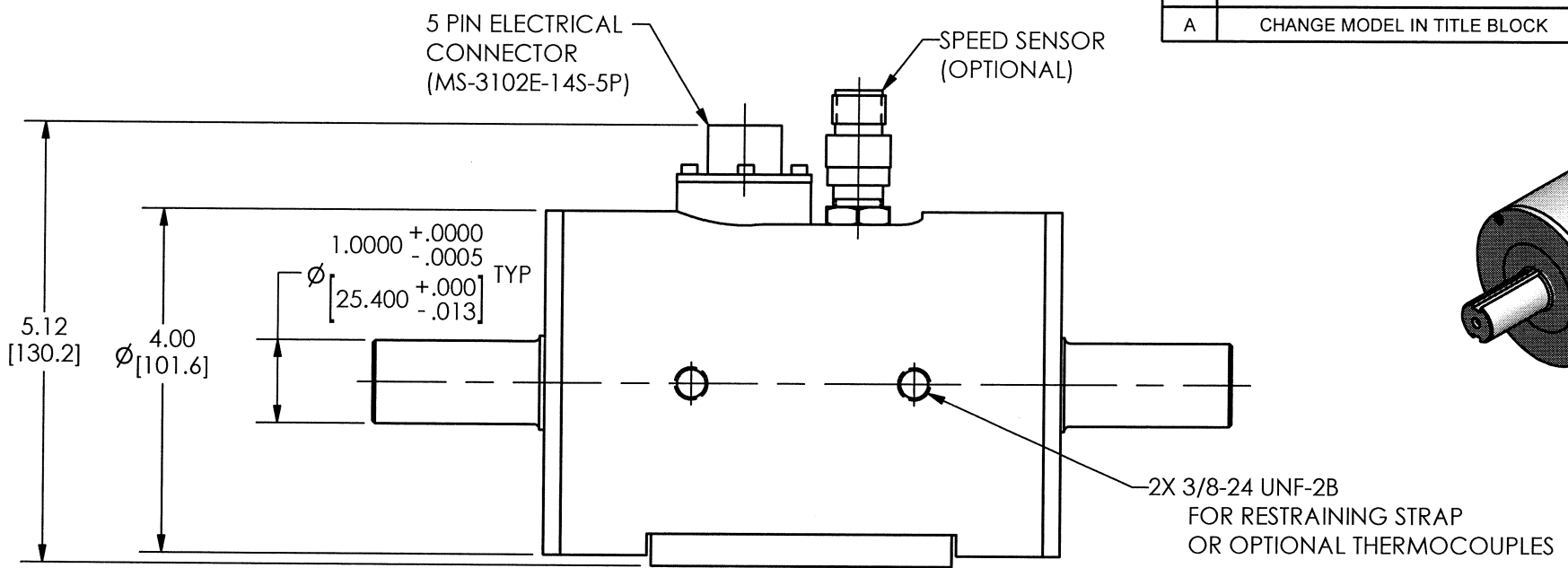
REV	DESCRIPTION	ECN	APP'D
NR	RELEASED TO DRAFTING		DM 12/04
A	CHANGE MODEL IN TITLE BLOCK	24091	FCB 5/10/06



.25 [6.3] SQUARE KEY WAY



PIN OUT



FOOT MOUNT (OPTIONAL)

UNLESS OTHERWISE SPECIFIED TOLERANCES ARE:		DRAWN	MDF	5/10/06	MFG	JR	5/11/06	<b>PCB PIEZOTRONICS</b> 3425 WALDEN AVE. DEPEW, NY 14043 (716) 684-0001 E-MAIL: sales@pcb.com
DIMENSIONS IN INCHES	DIMENSIONS IN MILLIMETERS [IN BRACKETS]	CHK'D	FCB	5/10/06	ENGR	DMB	5/11/06	
DECIMALS XX ± .03 XXX ± .010	DECIMALS X ± 0.8 XX ± 0.25	APP'D	MJC	5/10/06	SALES	MFG	5/11/06	
ANGLES ± 2 DEGREES	ANGLES ± 2 DEGREES	TITLE		OUTLINE DRAWING MODEL 4104 SERIES ROTARY TORQUE SENSOR		CODE IDENT. NO. 52681	DWG. NO. 28581	
FILLETS AND RADII .003 - .005	FILLETS AND RADII [0.07 - 0.13]	SCALE: .5 X		SHEET 1 OF 1				