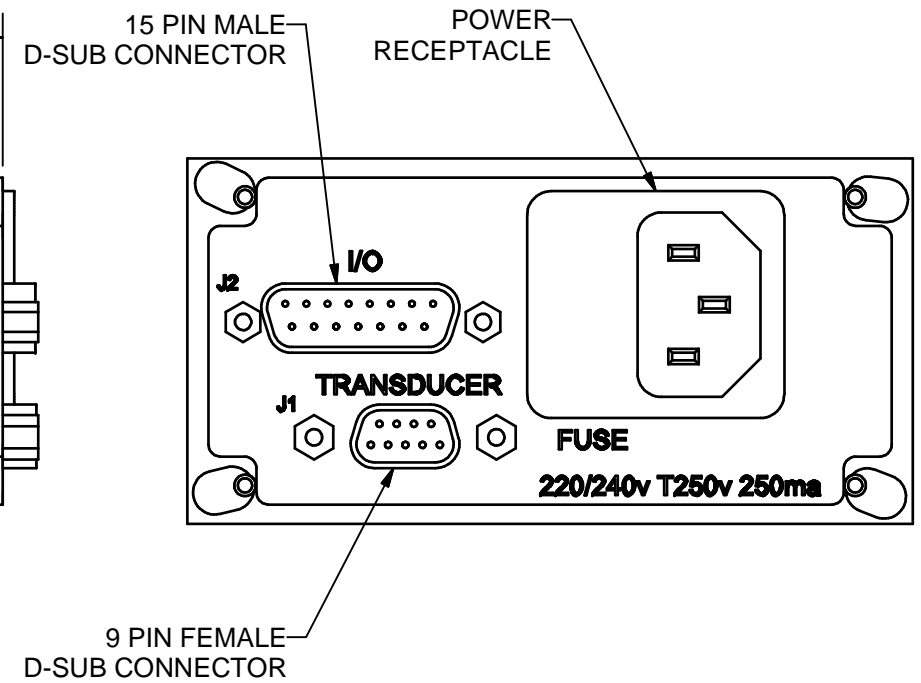
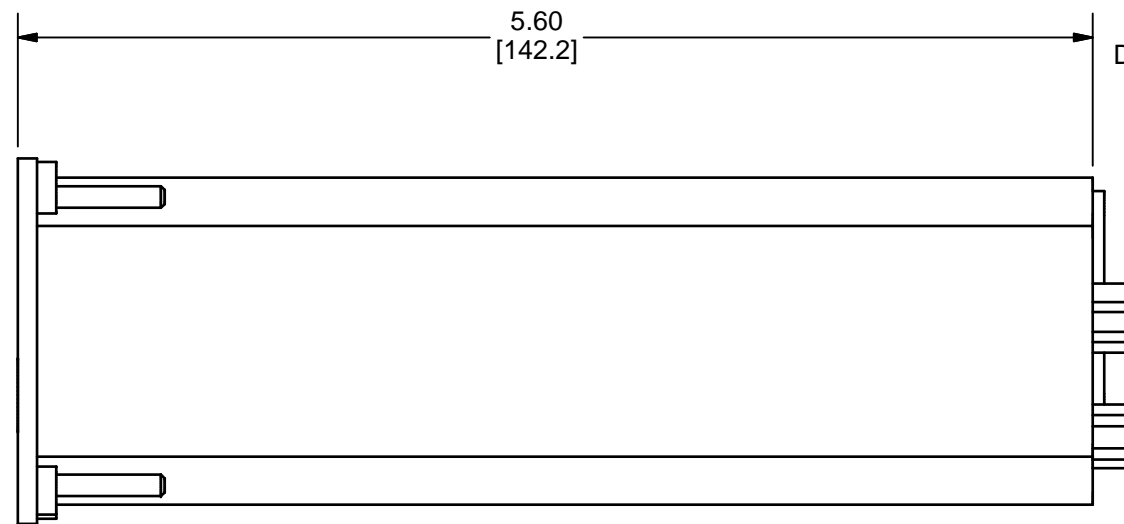
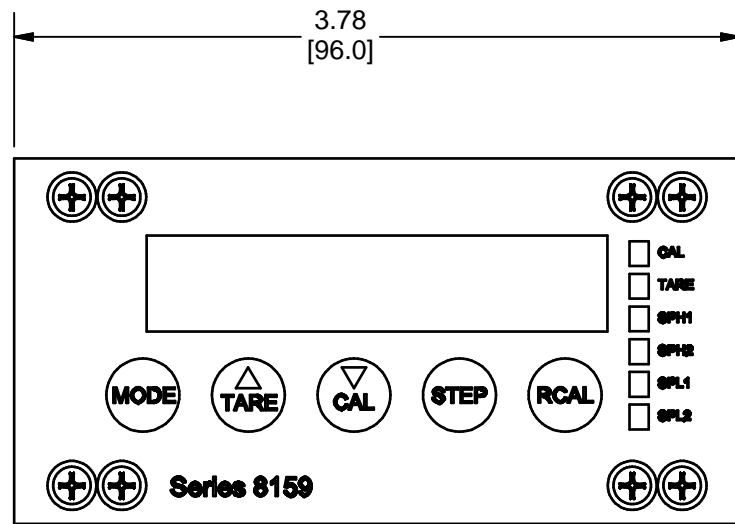
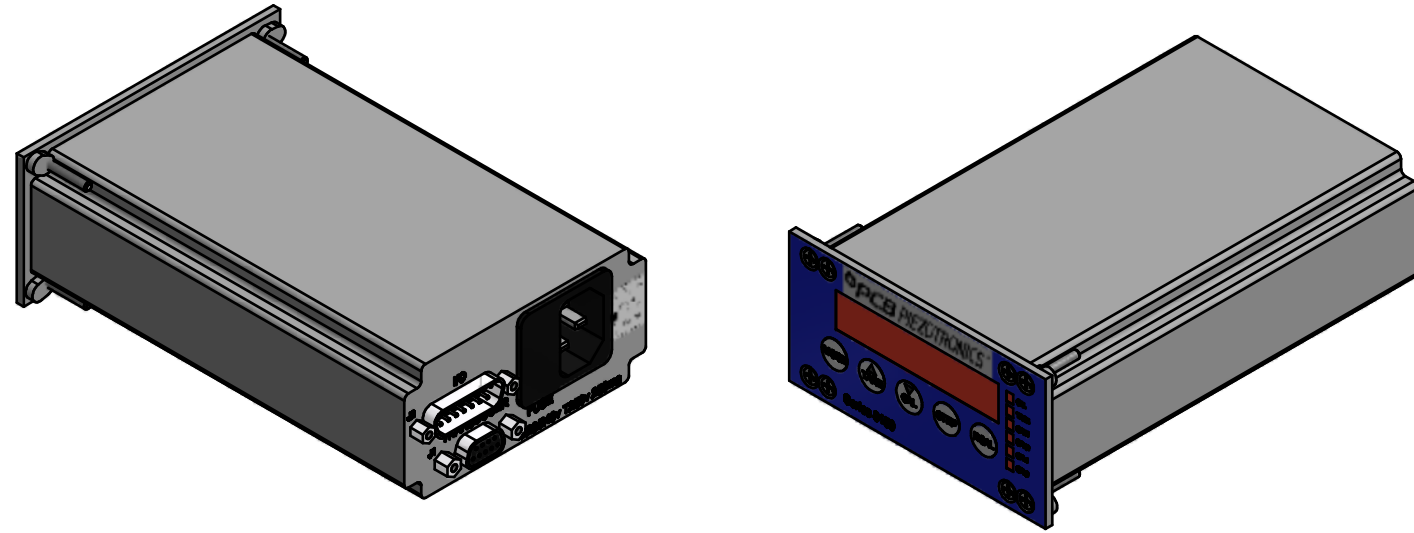


27735

PCB Load & Torque Inc. claims proprietary rights in the information disclosed hereon. Neither it nor any reproduction thereof will be disclosed to others without the written consent of PCB Load and Torque Inc.

REVISIONS		
REV	DESCRIPTION	ECO
A	WAS +/-5VDC, UPDATED TO L&T - 05.14.13, PTE	41416



15 PIN D-SUB CONNECTOR PIN OUT	
PIN	CONNECTION
1	RXD
2	N/C
3	DSR
4	GROUND
5	ANALOG GROUND
6	ANALOG OUTPUT (+/- 10Vdc)
7	ANALOG OUTPUT (4-20 m A)
8	REBOOT
9	SETPOINT OUTPUT COMMON
10	SPL2 OPEN COLLECTOR OUTPUT
11	SPH2 OPEN COLLECTOR OUTPUT
12	SPL1 OPEN COLLECTOR OUTPUT
13	SPH1 OPEN COLLECTOR OUTPUT
14	REMOTE ZERO
15	N/C

9 PIN D-SUB PIN OUT	
PIN	CONNECTION
1	VEXC (+)
2	SENSE (+)
3	SIG (+)
4	SIG (-)
5	SENSE (-)
6	VEXC (-)
7	N/C
8	N/C
9	GROUND

UNLESS OTHERWISE SPECIFIED TOLERANCES ARE:		DRAWN	CHECKED	ENGINEER	 24350 Indoplex Circle, Farmington Hills, MI 48335 (716) 684-0001 E-MAIL: linfo@pcbloadtorque.com DWG. NO. 27735 SCALE: FULL SHEET 1 OF 1
DIMENSIONS IN INCHES	DIMENSIONS IN MILLIMETERS [IN BRACKETS]	JRM 09.17.04	DM 09.20.04	DMB 09.20.06	
DECIMALS XX ±.01 XXX ±.005	DECIMALS X ±.3 XX ±.13	TITLE			
ANGLES ± .5 DEGREES	ANGLES ± .5 DEGREES	OUTLINE DRAWING MODEL 8159A SIGNAL CONDITIONER			
FILLETS AND RADII .015 MAX	FILLETS AND RADII 0.38 MAX				