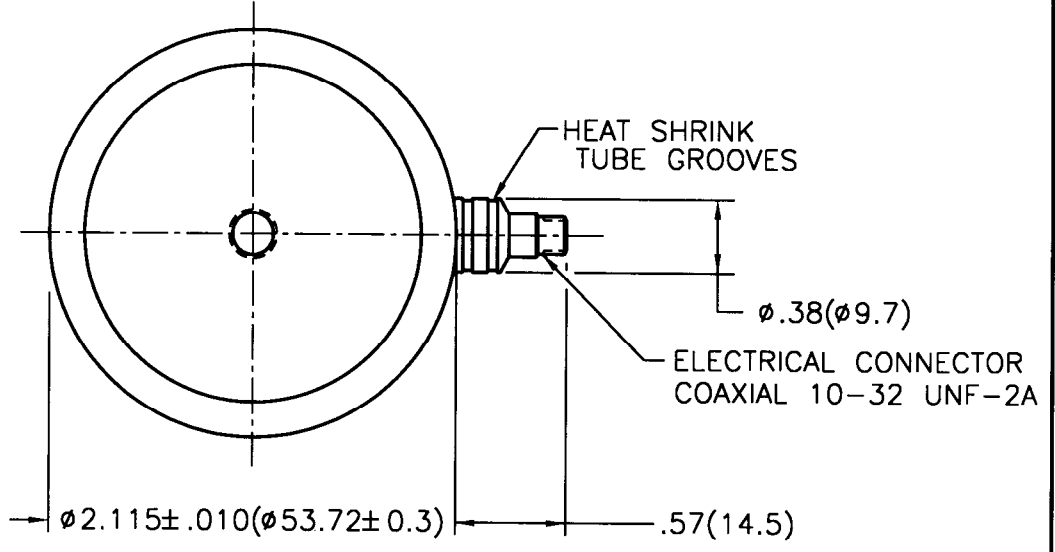


210-2500-90

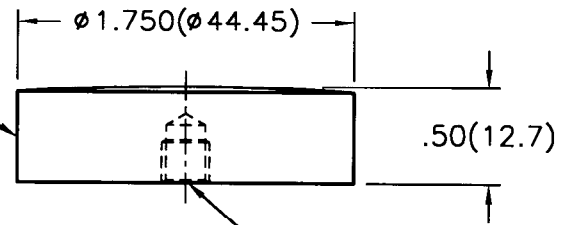
PCB Piezotronics Inc. claims proprietary rights in the information disclosed herein. Neither it nor any reproduction thereof will be disclosed to others without written consent of PCB Piezotronics Inc.

APPLICATION		
NEXT ASSY	USED ON	VAR

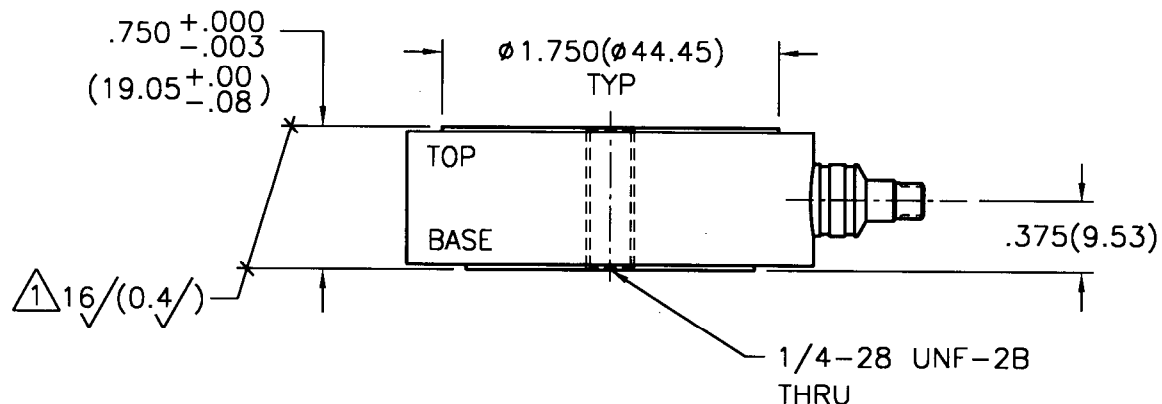
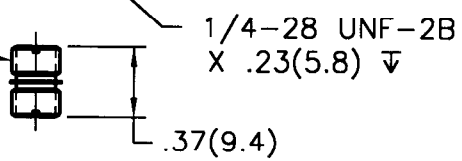
REVISIONS				
REV	DESCRIPTION	ECN	DATE	APP'D
F	REVISED PER ECN	10285	3/30/99	DM 4/99



MODEL 084A36  
IMPACT CAP  
MAT'L: 440C STL  
HARDENED Rc 53-54  
WITH KAPTON TAPE



MODEL 081B20  
MOUNTING STUD  
1/4-28 UNF-2A  
TYPICAL EACH END  
(SUPPLIED)



1.) FOR NOTES AND MOUNTING INSTRUCTIONS SEE SHEET 2 OF 2.

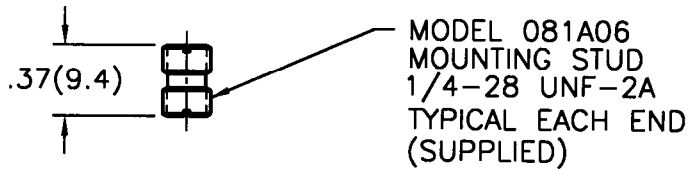
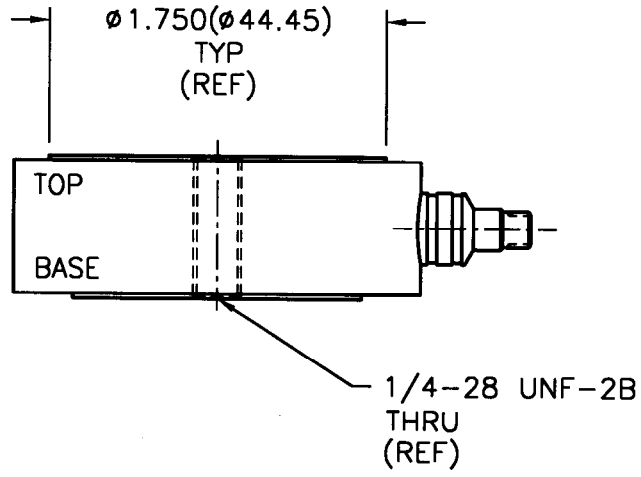
UNLESS SPECIFIED TOLERANCES		DRAWN				MFG		PCB PIEZOTRONICS™	
DIMENSIONS IN INCHES	DIMENSIONS IN MILLIMETERS (IN PARENTHESIS)	MOO	4/6/99	MFG	JS	4/6/99	3425 WALDEN AVE. DEPEW, NY 14043 (716) 684-0001 EMAIL: SALES@PCB.COM		
DECIMALS XX ± .01	DECIMALS XX ± 0.3	CHK'D	DM	ENGR	LAB	4/6/99	CODE		
XXX ± .005	XXX ± 0.13	APP'D	PL	SALES	BAR	4/9/99	IDENT. NO.		
ANGLES ± 2 DEGREES	ANGLES ± 2 DEGREES	TITLE				210-2500-90			
FILLET AND RADII .003 - .005	FILLET AND RADII (0.07 - 0.13)	INSTALLATION DRAWING				SCALE: FULL			
DD011 REV. B 03/13/98		MODEL 210B50				SHEET 1 OF 2			
		IMPACT SENSOR							

210-2500-90

PCB Piezotronics Inc. claims proprietary rights in the information disclosed hereon. Neither it nor any reproduction thereof will be disclosed to others without written consent of PCB Piezotronics Inc.

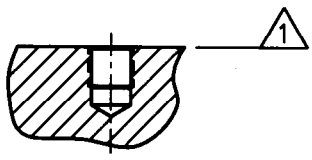
APPLICATION		
NEXT ASS'Y	USED ON	VAR

REVISIONS				
REV	DESCRIPTION	ECN	DATE	APP'D
	-SEE SHEET ONE-			



MOUNTING HOLE PREPARATION

DRILL  $\phi .218(\phi 5.54)$   $\triangle 2$   
 X .300(7.62)  $\nabla$  MIN  
 TAP 1/4-28 UNF-2B  
 X .200(5.08)  $\nabla$  MIN  
 PERFECT THREAD



- TIGHTEN CELL IN PLACE TORQUING BY HAND ONLY. USE LOCKTITE OR EQUIVALENT TO LOCK IN PLACE.
- $\triangle 2$  DRILL PERPENDICULAR TO MOUNTING SURFACE WITHIN  $\pm 1^\circ$ .
- $\triangle 1$  THIS SURFACE TO BE FLAT WITHIN .001(0.03) TIR WITH A MINIMUM 63/(1.6/) FINISH.

UNLESS SPECIFIED TOLERANCES		DRAWN		MFG		 3425 WALDEN AVE. DEPEW, NY 14043 (716) 684-0001 EMAIL: SALES@PCB.COM	
DIMENSIONS IN INCHES	DIMENSIONS IN MILLIMETERS (IN PARENTHESIS)	MDD	3/31/99	JRS	4/6/99		CODE DWG. NO. IDENT. NO. 210-2500-90
DECIMALS XX $\pm .01$ XXX $\pm .005$	DECIMALS XX $\pm 0.3$ XXX $\pm 0.13$	CHK'D	DM	ENGR	LAR	SCALE: FULL SHEET 2 OF 2	
ANGLES $\pm 2$ DEGREES	ANGLES $\pm 2$ DEGREES	APP'D	PL	Scho	EAR		
FILLETS AND RADII .003 - .005	FILLETS AND RADII (0.07 - 0.13)	TITLE					
DD011 REV. B 03/13/98		INSTALLATION DRAWING MODEL 210B50 IMPACT SENSOR					