

14014

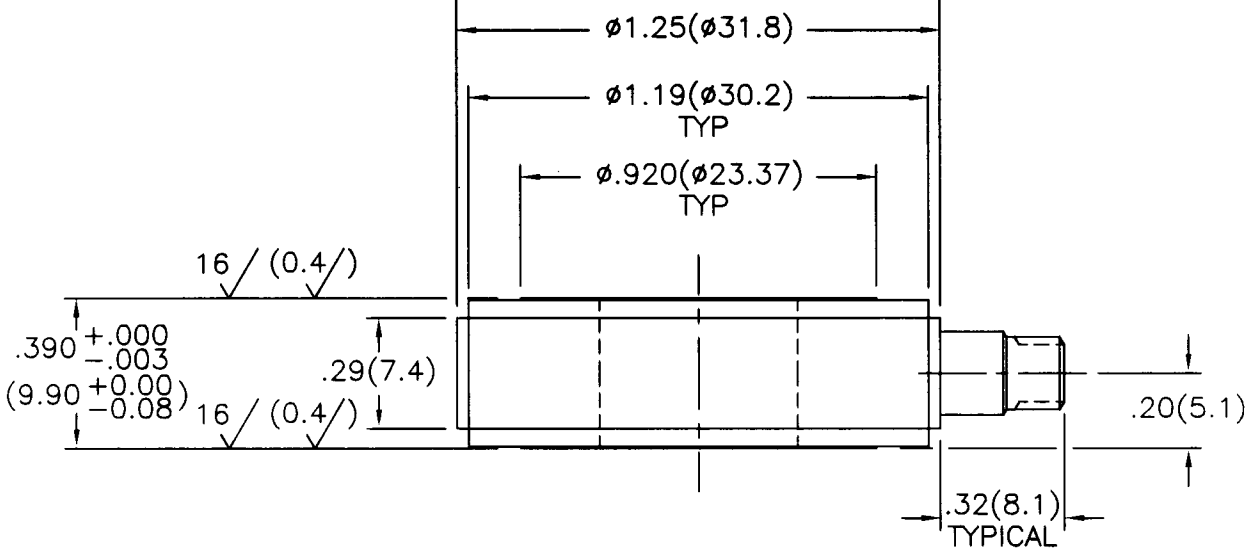
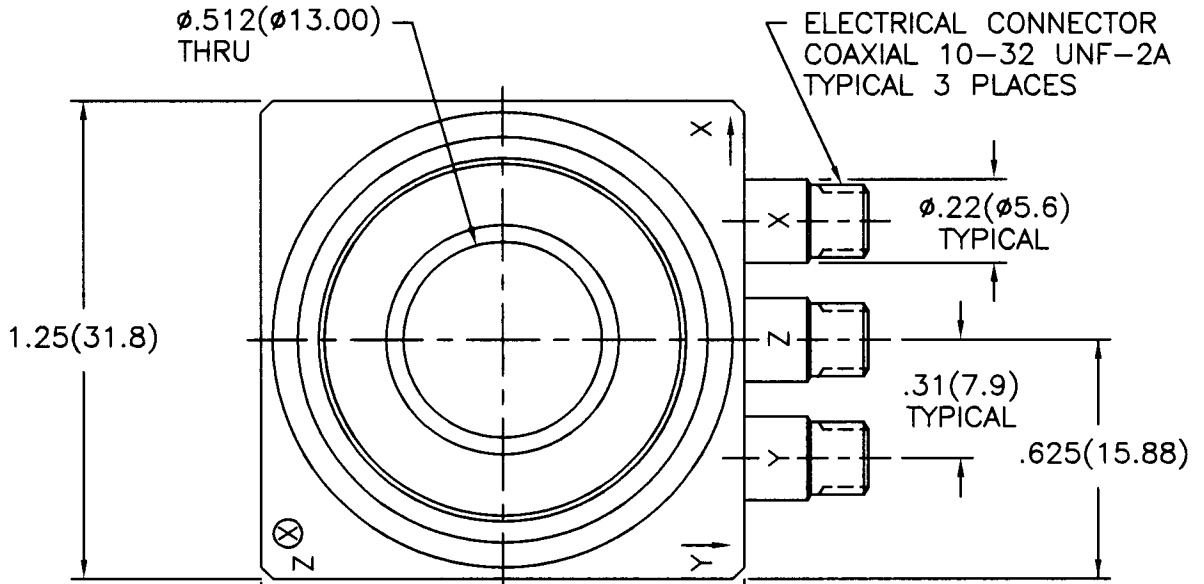
PCB Piezotronics Inc. claims proprietary rights in the information disclosed hereon. Neither it nor any reproduction thereof will be disclosed to others without written consent of PCB Piezotronics Inc.

APPLICATION

NEXT ASS'Y	USED ON	VAR

REVISIONS

REV	DESCRIPTION	ECN	DATE	APP'D
B	REVISED PER ECN	15072	3/22/02	<i>mejr</i>



1.) SEE SHEETS 2 AND 3 FOR STANDARD AND METRIC MOUNTING INSTRUCTIONS.

UNLESS SPECIFIED TOLERANCES		DRAWN	JDM	3-26-02	MFG	JBS	4/6/02	<p>3425 WALDEN AVE. DEPEW, NY 14043 (716) 684-0001 EMAIL: SALES@PCB.COM</p>
DIMENSIONS IN INCHES	DIMENSIONS IN MILLIMETERS (IN PARENTHESIS)	CHK'D	Dm	3/26/02	ENGR	KAB	3/26/02	
DECIMALS XX ±0.1 XXX ±0.005	DECIMALS XX ±0.3 XXX ±0.13	APP'D	JYL	3/26/02	SALES	Jhm	3/26/02	
ANGLES ±2 DEGREES	ANGLES ±2 DEGREES	TITLE		INSTALLATION DRAWING MODEL (M)260A12 TRIAxIAL FORCE SENSOR		CODE IDENT. NO.	52681	
FILLETs AND RADII .003 - .005	FILLETs AND RADII (0.07 - 0.13)	DD007 REV. B 03/13/98		SCALE: 2X		DWC. NO. 14014		SHEET 1 OF 3

14014

PCB Piezotronics Inc. claims proprietary rights in the information disclosed hereon. Neither it nor any reproduction thereof will be disclosed to others without written consent of PCB Piezotronics Inc.

APPLICATION

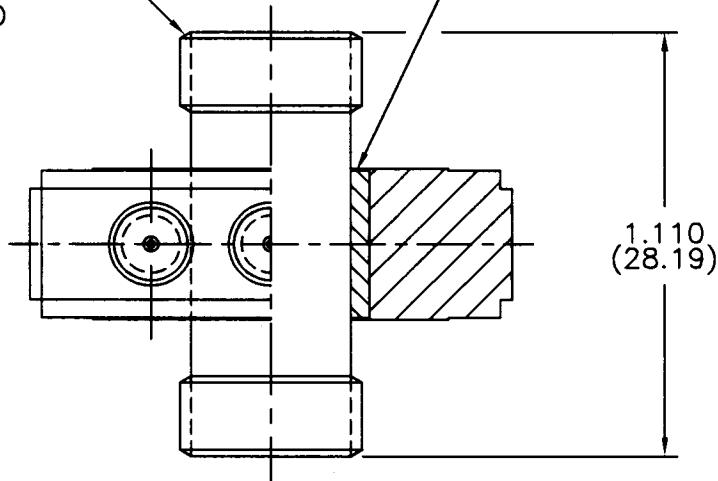
NEXT ASS'Y	USED ON	VAR

REVISIONS

REV	DESCRIPTION	ECN	DATE	APP'D
	-SEE SHEET ONE-			

MODEL 081A74
STUD
1/2-20 UNF-2A
TYP EACH END
(SUPPLIED)

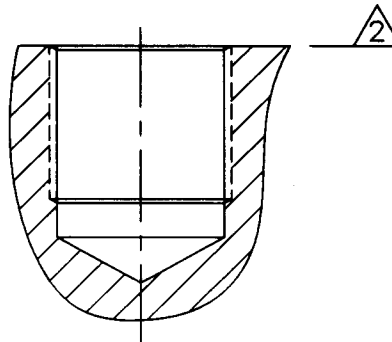
MODEL 083A13
PILOT BUSHING
(SUPPLIED)



TYP STUD MOUNTING
INSTALLATION

MOUNTING HOLE PREPARATION:

DRILL $\phi .453(\phi 11.51)$ $\triangle 3$
X .500(12.70) ∇
TAP 1/2-20 UNF-2B
X .400(10.16) ∇
PERFECT THREAD



4.) SEE MANUAL FOR PRELOAD INSTRUCTIONS.

$\triangle 3$ DRILL PERPENDICULAR TO MOUNTING SURFACE TO WITHIN $\pm 1^\circ$.

$\triangle 2$ MOUNTING SURFACE UNDER FORCE RING MUST BE FLAT WITHIN .001(0.03) TIR WITH A $32/\ (0.8/)$ FINISH.

UNLESS SPECIFIED TOLERANCES

DIMENSIONS IN INCHES	DIMENSIONS IN MILLIMETERS (IN PARENTHESIS)
DECIMALS XX $\pm .01$ XXX $\pm .005$	DECIMALS XX ± 0.3 XXX ± 0.13
ANGLES ± 2 DEGREES	ANGLES ± 2 DEGREES
FILLETS AND RADII .003 - .005	FILLETS AND RADII (0.07 - 0.13)

DRAWN	JDM	3-25-02	MFG	JMS	7/6/02
CHK'D	DM	3/26/02	ENGR	JAB	3/26/02
APP'D	MJK	3/26/02	SALES	JDM	3/26/02

PCB PIEZOTRONICS™
3425 WALDEN AVE. DEPEW, NY 14043
(716) 684-0001 EMAIL: SALES@PCB.COM

TITLE
INSTALLATION DRAWING
MODEL 260A12
TRIAxIAL FORCE SENSOR

CODE IDENT. NO. 52681	DWG. NO. 14014
SCALE: 2X	SHEET 2 OF 3

14014

PCB Piezotronics Inc. claims proprietary rights in the information disclosed hereon. Neither it nor any reproduction thereof will be disclosed to others without written consent of PCB Piezotronics Inc.

APPLICATION

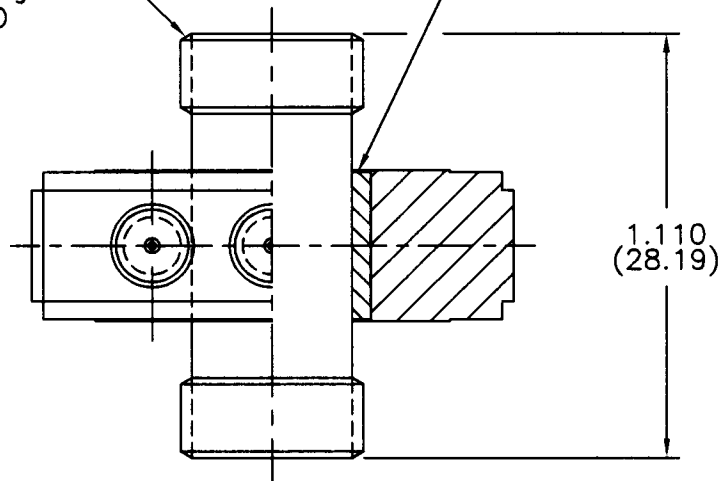
NEXT ASS'Y	USED ON	VAR

REVISIONS

REV	DESCRIPTION	ECN	DATE	APP'D
	-SEE SHEET ONE-			

MODEL M081A74
STUD
M12 X 1.25-6g
TYP EACH END
(SUPPLIED)

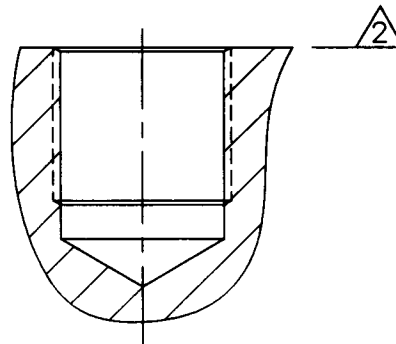
MODEL 083A13
PILOT BUSHING
(SUPPLIED)



TYP STUD MOUNTING
INSTALLATION

MOUNTING HOLE PREPARATION:

DRILL $\phi .422(\phi 10.80)$ $\triangle 3$
X $.500(12.70)$ ∇
TAP M12 X 1.25-6H
X $.400(10.16)$ ∇
PERFECT THREAD



4.) SEE MANUAL FOR PRELOAD INSTRUCTIONS.

$\triangle 3$ DRILL PERPENDICULAR TO MOUNTING SURFACE TO WITHIN $\pm 1^\circ$.

$\triangle 2$ MOUNTING SURFACE UNDER FORCE RING MUST BE FLAT WITHIN $.001(0.03)$ TIR WITH A $32/ (0.8/)$ FINISH.

UNLESS SPECIFIED TOLERANCES

DIMENSIONS IN INCHES	DIMENSIONS IN MILLIMETERS (IN PARENTHESIS)
DECIMALS XX $\pm .01$	DECIMALS XX ± 0.3
XXX $\pm .005$	XXX ± 0.13
ANGLES ± 2 DEGREES	ANGLES ± 2 DEGREES
FILLETS AND RADII .003 - .005	FILLETS AND RADII (0.07 - 0.13)

DRAWN	JDM	3-25-02	MFG	JMS	4/6/02
CHK'D	ESM	3/26/02	ENGR	JAB	3/26/02
APP'D	mya	3/26/02	SALES	Jgm	3/26/02

TITLE
INSTALLATION DRAWING
MODEL M260A12
TRIAXIAL FORCE SENSOR

PCB PIEZOTRONICS™
3425 WALDEN AVE. DEPEW, NY 14043
(716) 684-0001 EMAIL: SALES@PCB.COM

CODE IDENT. NO. 52681
DWG. NO. 14014

SCALE: 2X SHEET 3 OF 3