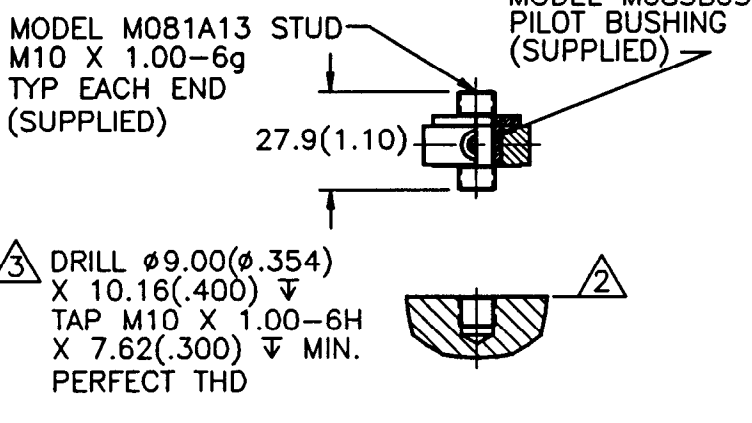
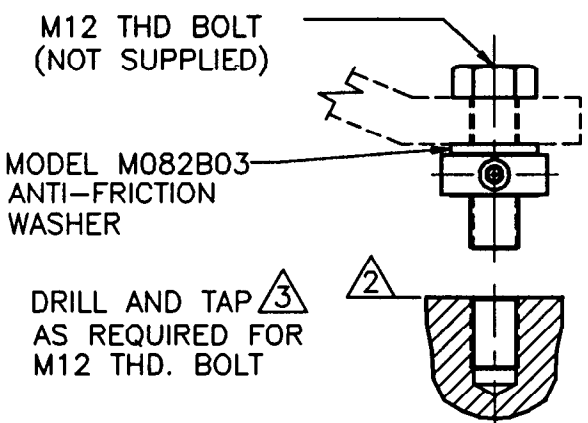
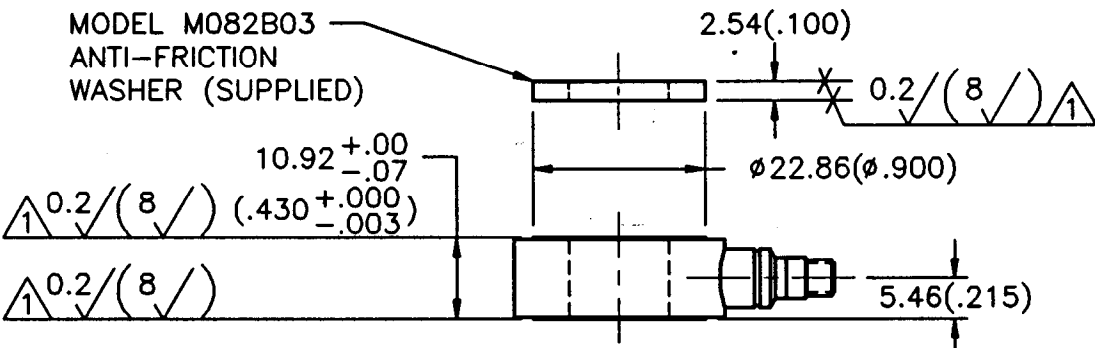
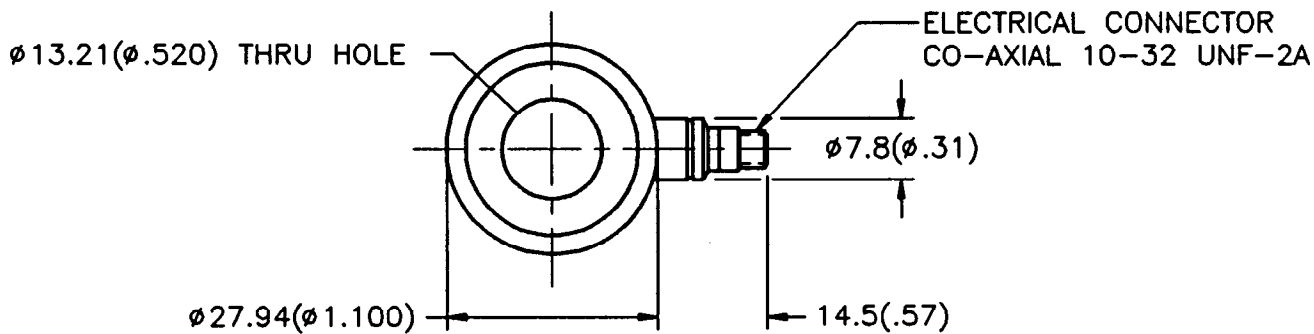


1207

APPLICATION		
NEXT ASS'Y	USED ON	VAR

REVISIONS				
REV	DESCRIPTION	ECN	DATE	APP'D



SCALE: .5X

TYP BOLT MOUNTING INSTALLATION

SCALE: .5X

TYP STUD MOUNTING INSTALLATION

4.) SEE MANUAL FOR PRELOAD INSTRUCTIONS.

- $\Delta 3$  DRILL PERPENDICULAR TO MOUNTING SURFACE WITHIN  $\pm 1$  DEGREE.
- $\Delta 2$  MOUNTING SURFACE UNDER FORCE RING MUST BE FLAT TO WITHIN .03(.001) WITH AT LEAST  $1.6 / (63)$ .
- $\Delta 1$  THESE SURFACES FLAT TO WITHIN .03(.001) TIR.

UNLESS SPECIFIED TOLERANCES		DRAWN <i>JAR</i> 5/16/94 MFG <i>RDA</i> 5/16/94 CHK'D <i>JM</i> 5/16/94 ENGR <i>PO</i> 5/16/94 APP'D <i>JBS</i> 5/16/94 <i>Sides</i> <i>Sbc</i> 5/16/94	<b>PCB</b> PIEZOTRONICS, INC. 3425 WALDEN AVE. DEPEW, NEW YORK 14043 PHONE: (716) 684-0001
DIMENSIONS IN INCHES (IN PARENTHESIS) DECIMALS XX $\pm .01$ XXX $\pm .005$ ANGLES $\pm 2$ DEGREES	DIMENSIONS IN MILLIMETERS DECIMALS X $\pm 0.3$ XX $\pm 0.13$ ANGLES $\pm 2$ DEGREES	CODE IDENT. NO. 52681 DWG. NO. 1207	
FILLETS AND RADII 0.07 - 0.13 (.003 - .005)		TITLE INSTALLATION DRAWING MODEL M213B FORCE RING	SCALE: FULL SHEET 1 OF 1