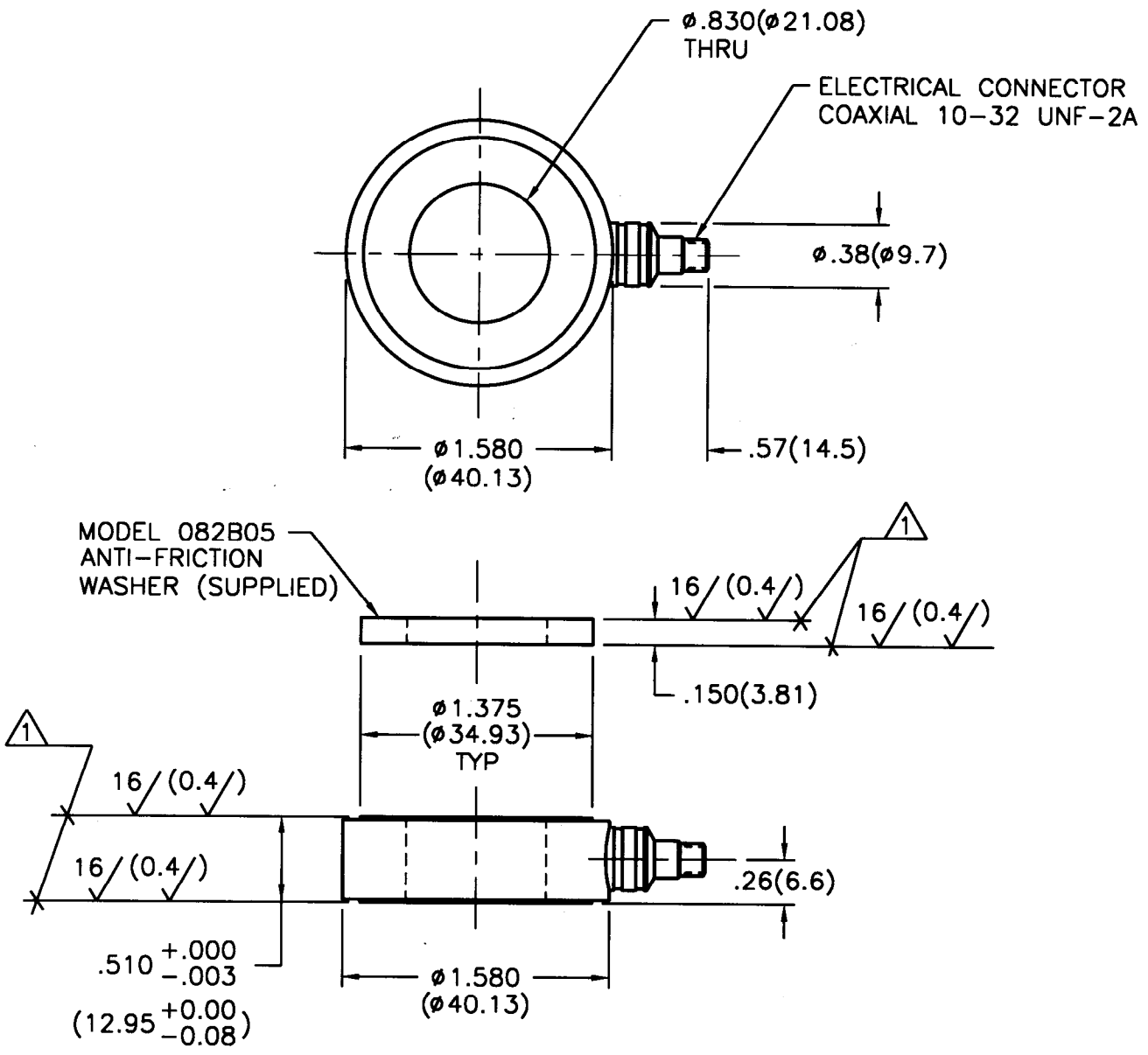


1182

PCB Piezotronics Inc. claims proprietary rights in the information disclosed hereon. Neither it nor any reproduction thereof will be disclosed to others without written consent of PCB Piezotronics Inc.

APPLICATION		
NEXT ASS'Y	USED ON	VAR

REVISIONS				
REV	DESCRIPTION	ECN	DATE	APP'D
A	REVISED PER ECN	10110	2/23/99	DMZ/99



- 3.) SEE SHEET 2 OF 2 FOR MOUNTING HOLE PREPARATION.
- 2.) SEE MANUAL FOR PRELOAD INSTRUCTIONS.
- △ THESE SURFACES FLAT WITHIN .001(0.03) TIR.

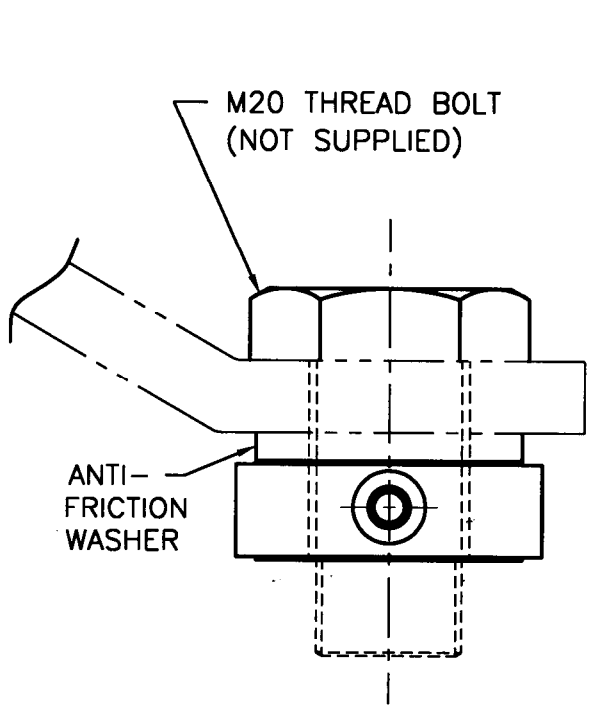
UNLESS SPECIFIED TOLERANCES		DRAWN		MFG		 3425 WALDEN AVE. DEPEW, NY 14043 (716) 684-0001 EMAIL: SALES@PCB.COM
DIMENSIONS IN INCHES	DIMENSIONS IN MILLIMETERS (IN PARENTHESIS)	MOD	2/23/99	JRS	2/24/99	
DECIMALS XX ± .01	DECIMALS XX ± 0.3	CHK'D	DM	ENGR	2/24/99	
XXX ± .005	XXX ± 0.13	APP'D	PL	Sales	2/24/99	
ANGLES ± 2 DEGREES	ANGLES ± 2 DEGREES	TITLE				CODE IDENT. NO.
FILLETS AND RADII .003 - .005	FILLETS AND RADII (0.07 - 0.13)	INSTALLATION DRAWING				DWG. NO.
DD011 REV. B 03/13/98		MODEL M215B				1182
		FORCE RING				SCALE: FULL
						SHEET 1 OF 2

1182

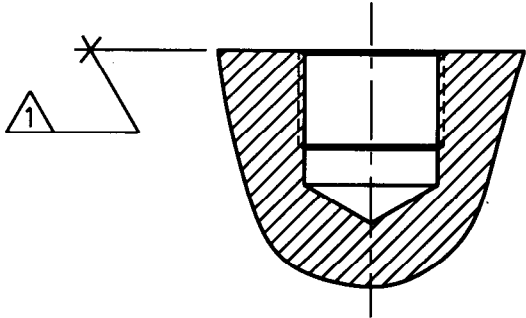
PCB Piezotronics Inc. claims proprietary rights in the information disclosed hereon. Neither it nor any reproduction thereof will be disclosed to others without written consent of PCB Piezotronics Inc.

APPLICATION		
NEXT ASS'Y	USED ON	VAR

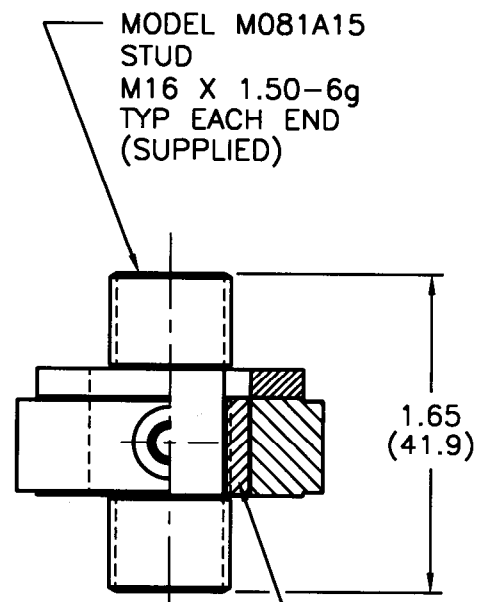
REVISIONS				
REV	DESCRIPTION	ECN	DATE	APP'D
	- SEE SHEET ONE -			



DRILL & TAP AS REQUIRED FOR M20 THREAD BOLT $\triangle 2$

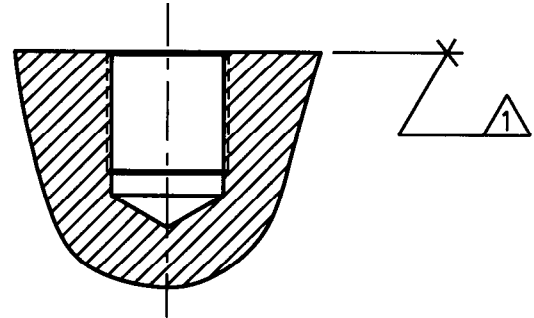


TYPICAL BOLT MOUNTING INSTALLATION



MODEL M083B05 PILOT BUSHING (SUPPLIED)

DRILL $\phi .571 (\phi 14.50)$ $\triangle 2$
 X .75 (19.0) ∇ MIN
 TAP M16 X 1.5-6H
 X .62 (15.8) ∇ MIN PERF THD



TYPICAL STUD MOUNTING INSTALLATION

- $\triangle 2$ DRILL PERPENDICULAR TO MOUNTING SURFACE TO WITHIN $\pm 1^\circ$.
- $\triangle 1$ MOUNTING SURFACE UNDER FORCE RING MUST BE FLAT WITHIN .001 (0.03) TIR WITH A MINIMUM $63 / (1.6^\circ)$.

UNLESS SPECIFIED TOLERANCES		DRAWN	MFG	PCB PIEZOTRONICS™	
DIMENSIONS IN INCHES	DIMENSIONS IN MILLIMETERS (IN PARENTHESIS)	M00	JBS	3425 WALDEN AVE. DEPEW, NY 14043	
DECIMALS XX $\pm .01$	DECIMALS XX ± 0.3	CHK'D	ENGR	(716) 684-0001 EMAIL: SALES@PCB.COM	
XXX $\pm .005$	XXX ± 0.13	APP'D	PL	CODE IDENT. NO.	DWG. NO.
ANGLES ± 2 DEGREES	ANGLES ± 2 DEGREES			52681	1182
FILLETS AND RADII .003 - .005	FILLETS AND RADII (0.07 - 0.13)	TITLE		SCALE: FULL SHEET 2 OF 2	
DD011 REV. B 03/13/98		INSTALLATION DRAWING MODEL M215B FORCE RING			