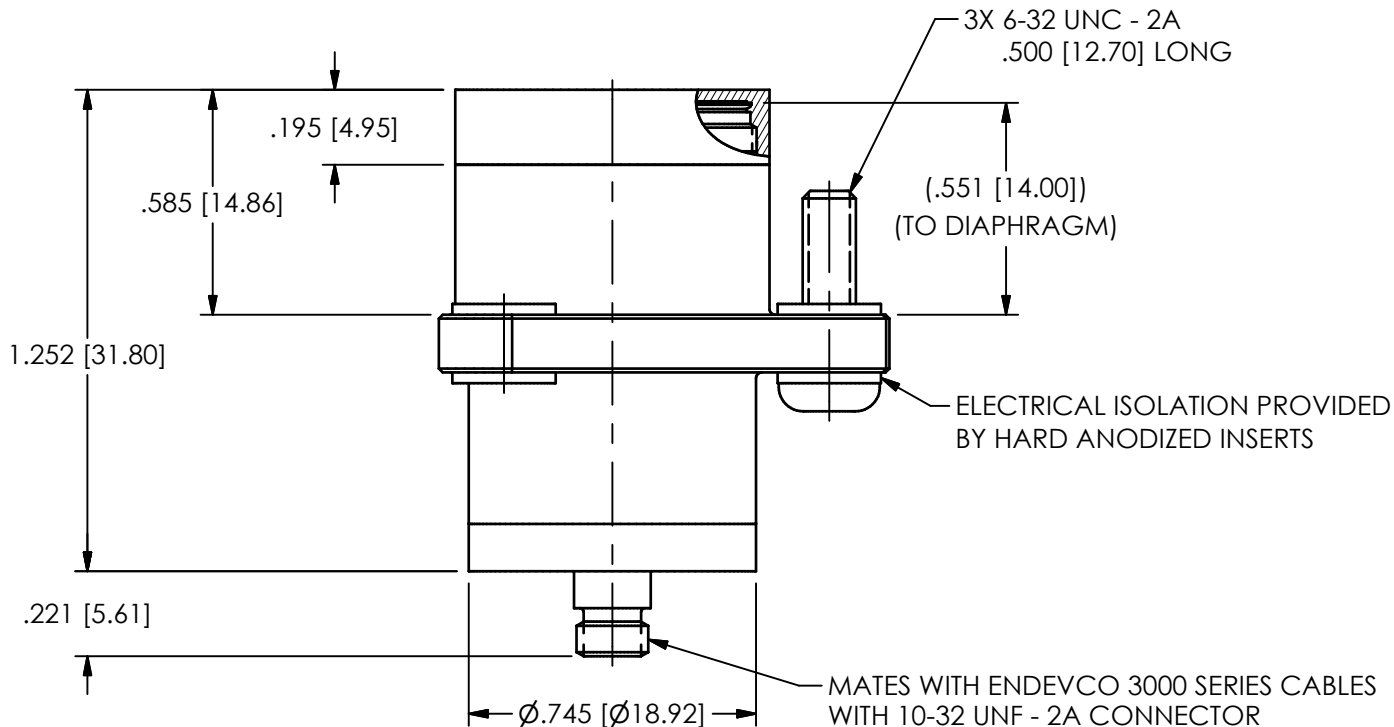
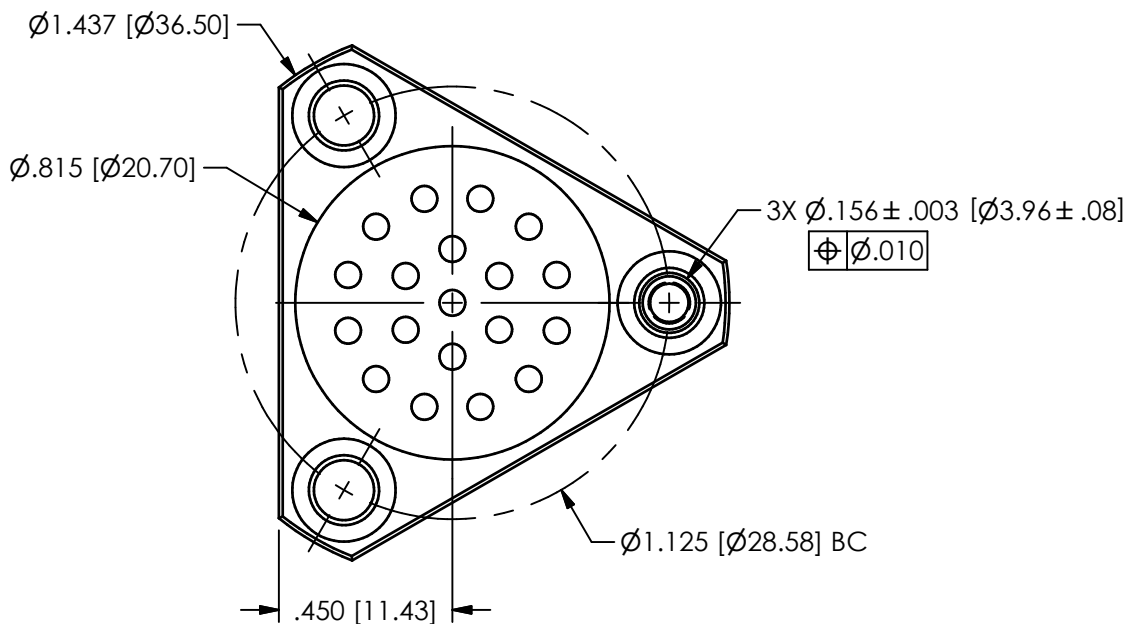


PCB Piezotronics of NC, Inc. (DBA Endevco) claims proprietary rights in the information disclosed herein. Neither it nor any reproduction thereof will be disclosed to others without the written consent of PCB Piezotronics of NC, Inc. (DBA Endevco)

REVISIONS

REV	DESCRIPTION	DIN
NR	RELEASED TO DRAFTING	54638

78972



UNLESS OTHERWISE SPECIFIED TOLERANCES ARE:

DRAWN CHECKED ENGINEER

DIMENSIONS IN INCHES
 DECIMALS XX ±.03
 XXX ±.010
 ANGLES ± 2 DEGREES

DIMENSIONS IN MILLIMETERS
 [IN BRACKETS]
 DECIMALS X ± 0.8
 XX ± 0.25
 ANGLES ± 2 DEGREES

NJF 02/27/24 JDM 02/27/24 DAM 02/27/24

CABLE TOLERANCES IN ENGLISH
 1" ≤ LENGTH < 1' = +1"/ - 0
 1' ≤ LENGTH < 5' = +2"/ - 0
 5' ≤ LENGTH < 100' = +6"/ - 0
 100' ≤ LENGTH = +1"/ - 0

CABLE TOLERANCES IN METRIC
 2.54cm ≤ LENGTH < 30.5cm = +2.54cm/ - 0
 30.5cm ≤ LENGTH < 1.5m = +5.1cm/ - 0
 1.5m ≤ LENGTH < 30.5m = +15.2cm/ - 0
 30.5m ≤ LENGTH = +30.5cm/ - 0

TITLE

OUTLINE DRAWING
 2510M4A
 MICROPHONE

FILLETS AND RADII
 .003 - .005

FILLETS AND RADII
 0.07 - 0.13



AN AMPHENOL COMPANY

PCB PIEZOTRONICS OF NC, INC (DBA ENDEVCO)
 10869 NC HIGHWAY 903, HALIFAX, NC 27839

CODE IDENT. NO. 8DN13 DWG. NO. 78972

SCALE: 2X SHEET 1 OF 1