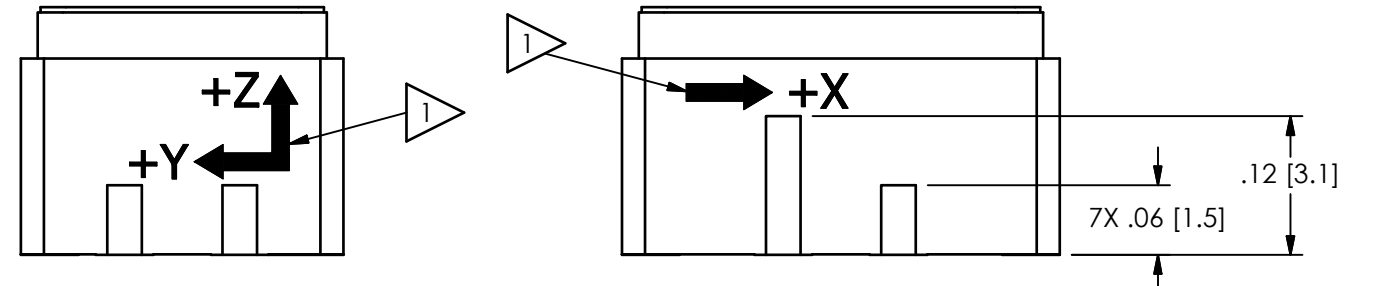
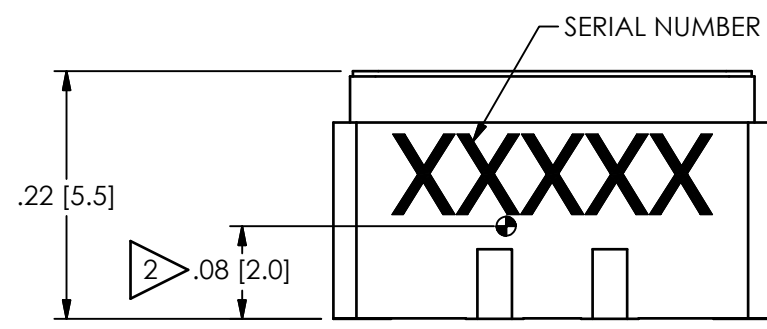
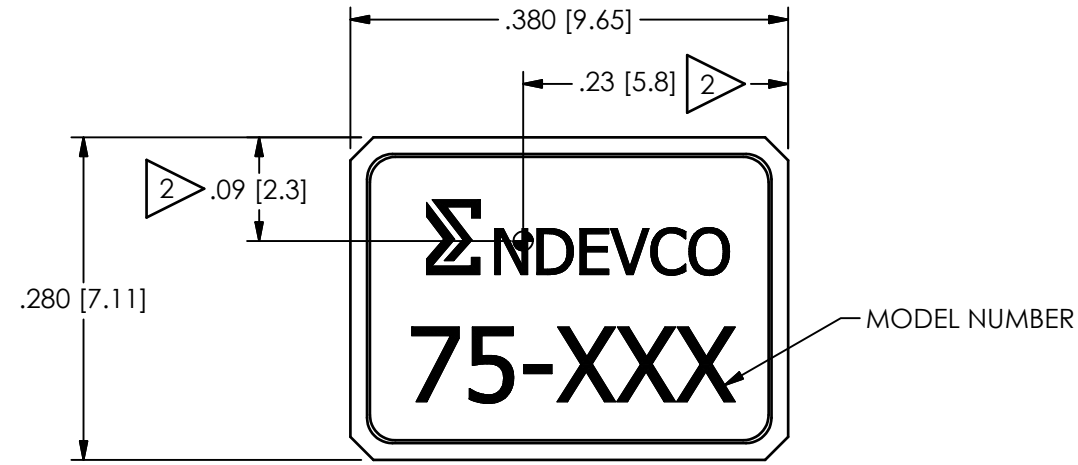


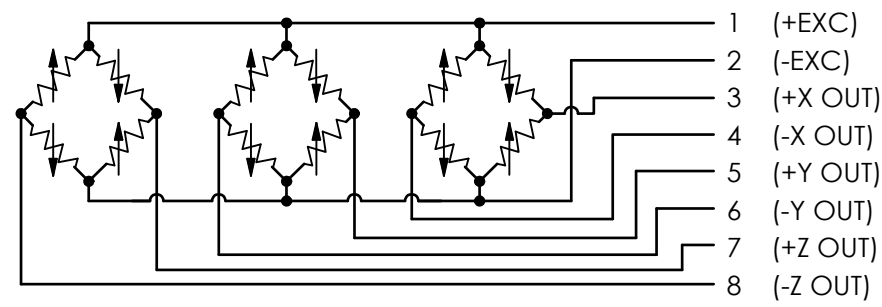
PCB Piezotronics of NC, Inc. (DBA Endevco) claims proprietary rights in the information disclosed hereon. Neither it nor any reproduction thereof will be disclosed to others without the written consent of PCB Piezotronics of NC, Inc. (DBA Endevco)

76333

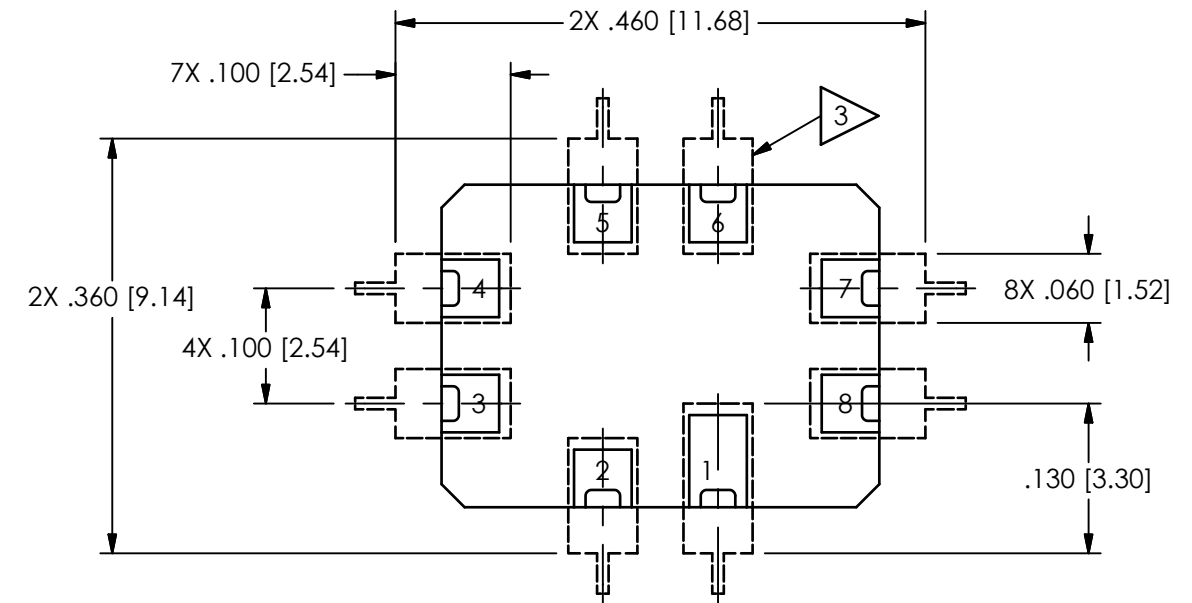
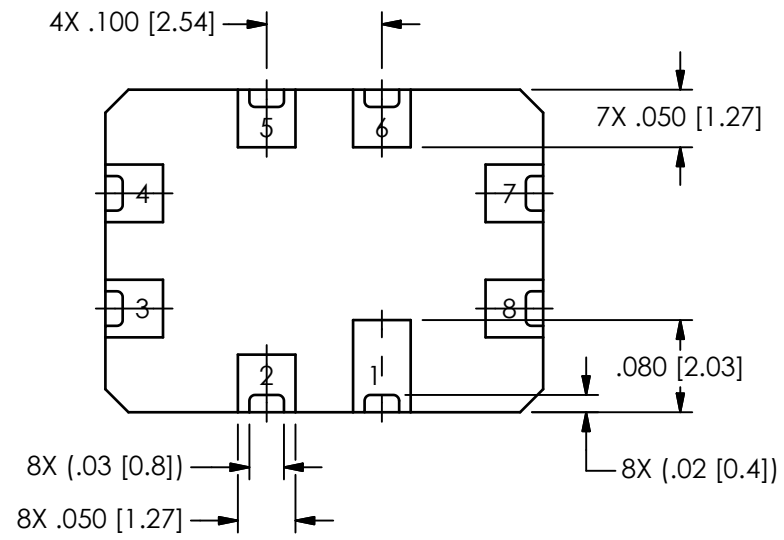
REVISIONS		
REV	DESCRIPTION	DIN
NR	RELEASED TO DRAFTING	52685



PAD NUMBER	SIGNAL ASSIGNMENT
1	+EXC
2	-EXC
3	+X OUT
4	-X OUT
5	+Y OUT
6	-Y OUT
7	+Z OUT
8	-Z OUT



**SCHEMATIC DIAGRAM**



**RECOMMENDED LAND PATTERN**

- 3 TRACES TO BE CONNECTED TO LAND PADS IN A SYMMETRIC FASHION
- 2 ORIGIN OF MEASUREMENT COORDINATE SYSTEM (I.E. INTERSECTION OF THE 3 AXES)
- 1 ACCELERATIONS IN THE POSITIVE DIRECTIONS OF THE MARKED COORDINATE SYSTEM WILL GIVE POSITIVE OUTPUTS FOR EACH CORRESPONDING AXIS

UNLESS OTHERWISE SPECIFIED TOLERANCES ARE:		DRAWN		CHECKED		ENGINEER	
DIMENSIONS IN INCHES		JJF	4/11/22	JJF	4/11/22	JKN	4/11/22
DECIMALS XX ±.03		TITLE					
XXX ±.010							
ANGLES ± 2 DEGREES							
CABLE TOLERANCES IN ENGLISH		OUTLINE DRAWING					
1"≤ LENGTH < 1' = +1' / - 0		75 SERIES					
1"≤ LENGTH < 5' = +2' / - 0							
5"≤ LENGTH < 100' = +6' / - 0							
100'≤ LENGTH = +1' / - 0							
FILLETS AND RADII .003 - .005							
FILLETS AND RADII 0.07 - 0.13							

**ENDEVCO**  
AN AMPHENOL COMPANY  
PCB PIEZOTRONICS OF NC, INC (DBA ENDEVCO)  
10869 NC HIGHWAY 903, HALIFAX, NC 27839

CODE IDENT. NO. 8DN13  
DWG. NO. 76333

SCALE: 6X SHEET 1 OF 1