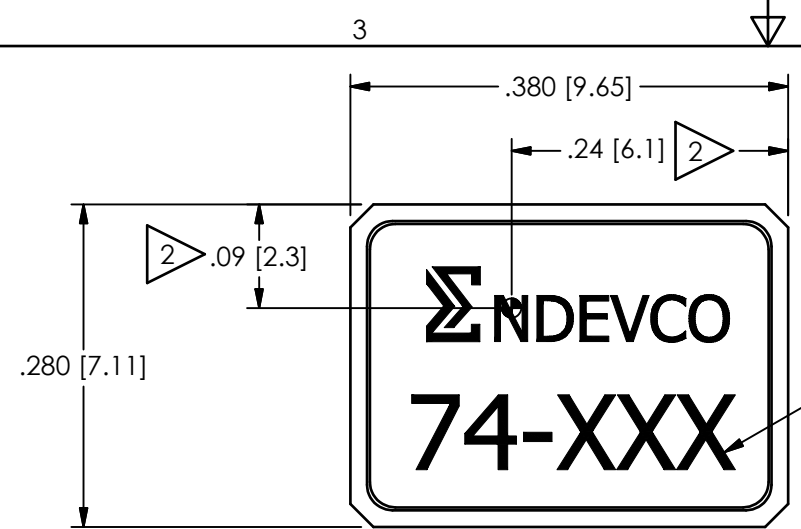


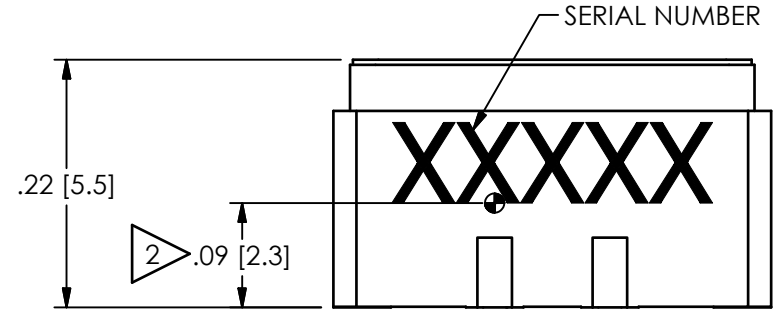
PCB Piezotronics of NC, Inc. (DBA Endevco) claims proprietary rights in the information disclosed hereon. Neither it nor any reproduction thereof will be disclosed to others without the written consent of PCB Piezotronics of NC, Inc. (DBA Endevco)

76331

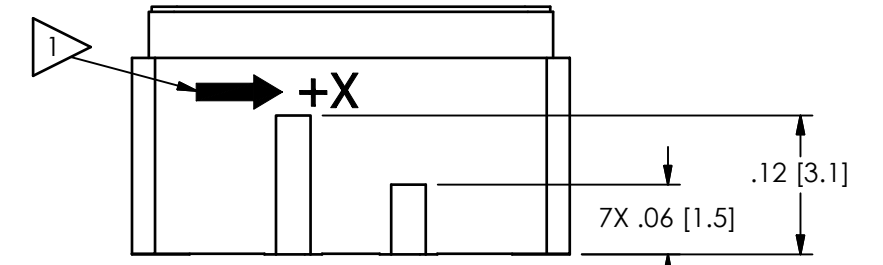
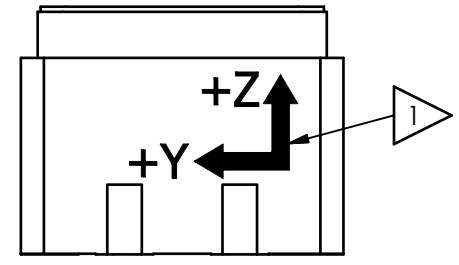
REVISIONS		
REV	DESCRIPTION	DIN
NR	RELEASED TO DRAFTING	52683



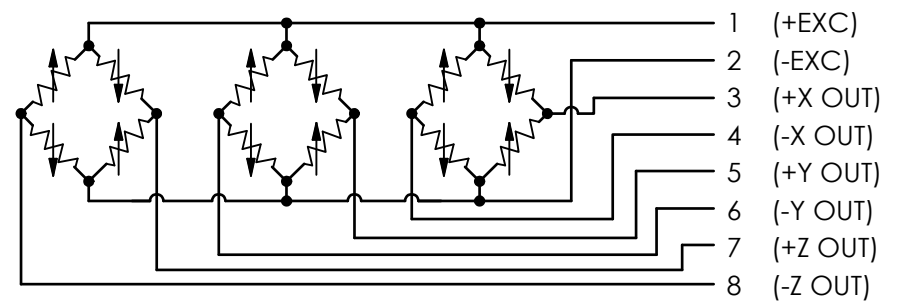
MODEL NUMBER



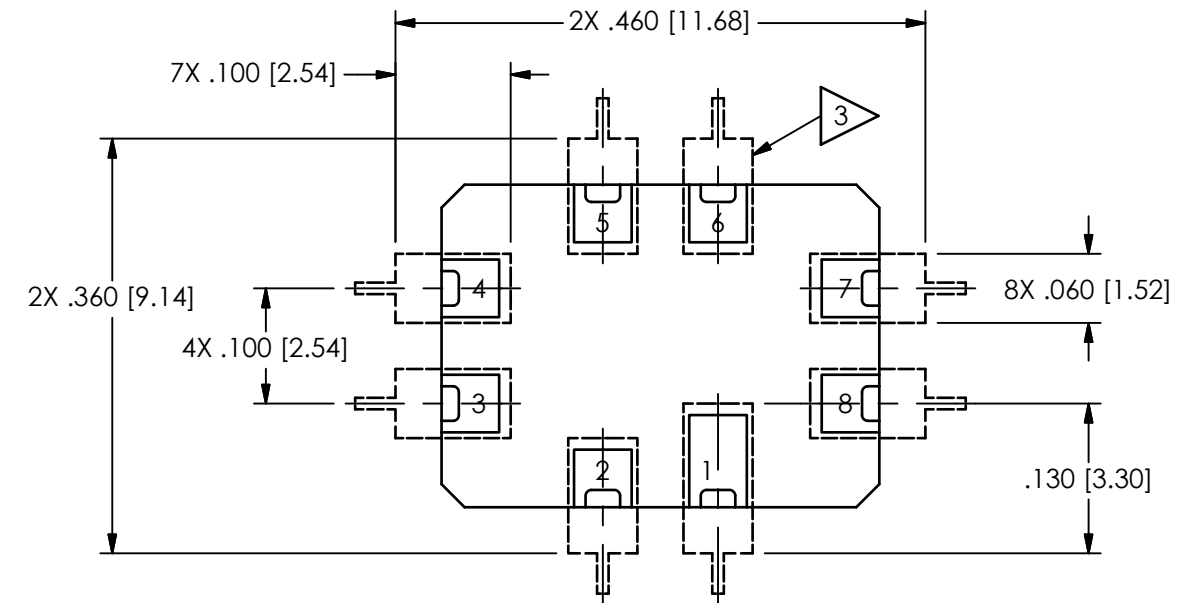
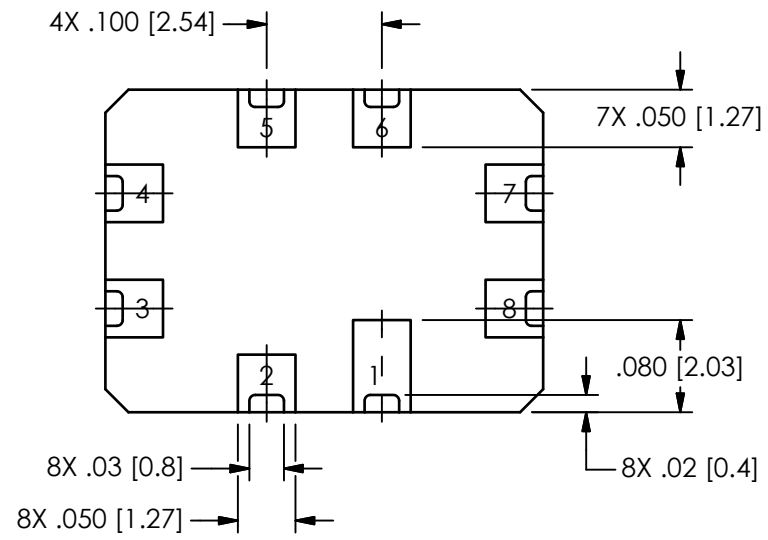
SERIAL NUMBER



PAD NUMBER	SIGNAL ASSIGNMENT
1	+EXC
2	-EXC
3	+X OUT
4	-X OUT
5	+Y OUT
6	-Y OUT
7	+Z OUT
8	-Z OUT



SCHMATIC DIAGRAM



RECOMMENDED LAND PATTERN

- 3 TRACES TO BE CONNECTED TO LAND PADS IN A SYMMETRIC FASHION
- 2 ORIGIN OF MEASUREMENT COORDINATE SYSTEM (I.E. INTERSECTION OF THE 3 AXES)
- 1 ACCELERATIONS IN THE POSITIVE DIRECTIONS OF THE MARKED COORDINATE SYSTEM WILL GIVE POSITIVE OUTPUTS FOR EACH CORRESPONDING AXIS

UNLESS OTHERWISE SPECIFIED TOLERANCES ARE:	
DIMENSIONS IN INCHES DECIMALS XX ±.03 XXX ±.010 ANGLES ± 2 DEGREES	DIMENSIONS IN MILLIMETERS [IN BRACKETS] DECIMALS X ± 0.8 XX ± 0.25 ANGLES ± 2 DEGREES
CABLE TOLERANCES IN ENGLISH 1" ≤ LENGTH < 1' = +1' / - 0 1' ≤ LENGTH < 5' = +2' / - 0 5' ≤ LENGTH < 100' = +6' / - 0 100' ≤ LENGTH = +1' / - 0	CABLE TOLERANCES IN METRIC 2.54cm ≤ LENGTH < 30.5cm = +2.54cm / - 0 30.5cm ≤ LENGTH < 1.5m = +5.1cm / - 0 1.5m ≤ LENGTH < 30.5m = +15.2cm / - 0 30.5m ≤ LENGTH = +30.5cm / - 0
FILLETS AND RADII .003 - .005	FILLETS AND RADII 0.07 - 0.13

DRAWN	CHECKED	ENGINEER
JJF	JJF	JKN
4/8/22	4/8/22	4/8/22
TITLE OUTLINE DRAWING 74 SERIES		

ENDEVCO
AN AMPHENOL COMPANY
PCB PIEZOTRONICS OF NC, INC (DBA ENDEVCO)
10869 NC HIGHWAY 903, HALIFAX, NC 27839

CODE IDENT. NO. 8DN13
DWG. NO. 76331

SCALE: 6X SHEET 1 OF 1