

2

1

PCB Piezotronics Inc. claims proprietary rights in the information disclosed hereon. Neither it nor any reproduction thereof will be disclosed to others without the written consent of PCB Piezotronics Inc.

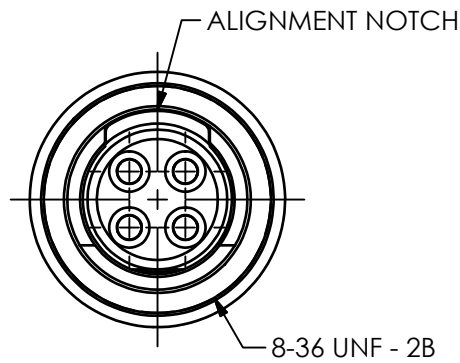
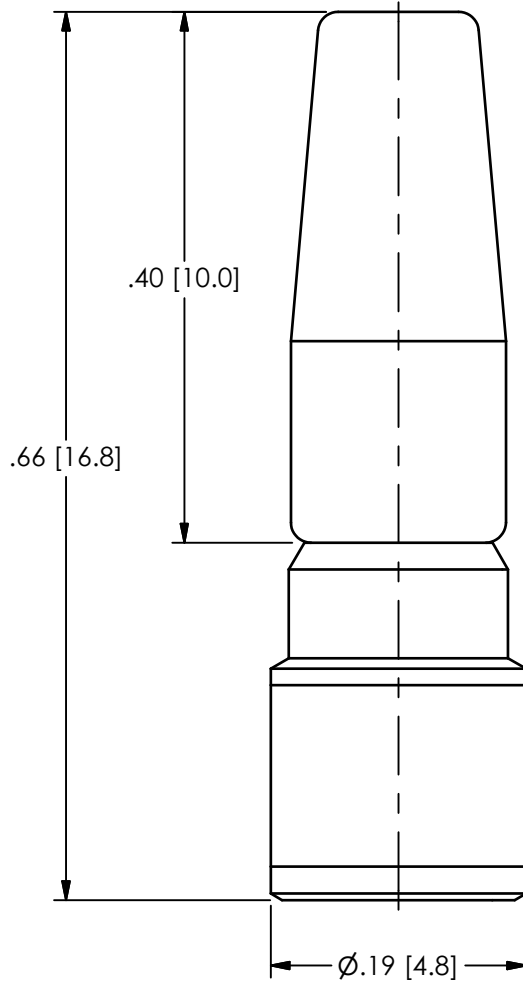
REVISIONS

| REV | DESCRIPTION | DIN |
|-----|----------------------|-------|
| NR | RELEASED TO DRAFTING | 48475 |

69881

B

B



A

A

UNLESS OTHERWISE SPECIFIED TOLERANCES ARE:

| DRAWN | | CHECKED | | ENGINEER | |
|-------|---------|---------|---------|----------|---------|
| KRM | 7/19/18 | KRM | 7/19/18 | BAM | 7/19/18 |



3425 WALDEN AVE. DEPEW, NY 14043
(716) 684-0001 E-MAIL: sales@pcb.com

| | |
|--------------------------|-------------------|
| CODE IDENT. NO. 52681 | DWG. NO. 69881 |
|--------------------------|-------------------|

| | |
|-----------|--------------|
| SCALE: 7X | SHEET 1 OF 1 |
|-----------|--------------|

TITLE
OUTLINE DRAWING
CONNECTOR EH

2

1

