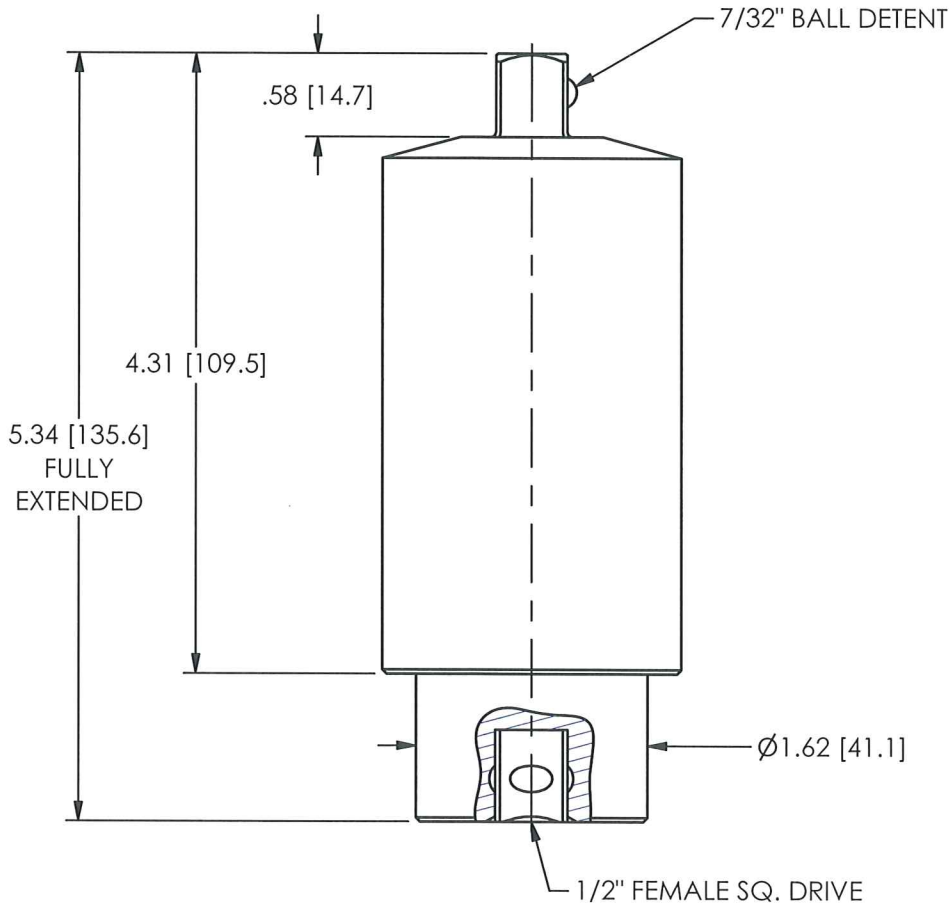
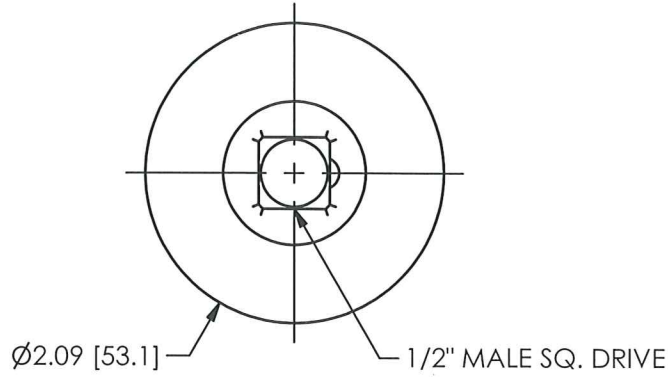


PCB Load & Torque Inc. claims proprietary rights in the information disclosed hereon. Neither it nor any reproduction thereof will be disclosed to others without the written consent of PCB Load and Torque Inc.

REVISIONS

REV	DESCRIPTION	ECO
NR	RELEASED TO DRAFTING	35469

51027



UNLESS OTHERWISE SPECIFIED TOLERANCES ARE:		DRAWN	CHECKED	ENGINEER	<p>24350 Indoplex Circle, Farmington Hills, MI 48335 (716) 684-0001 E-MAIL: linfo@pcbloadtorque.com</p>
DIMENSIONS IN INCHES	DIMENSIONS IN MILLIMETERS [IN BRACKETS]	<i>EMB</i> 8/18/11	<i>Ann</i> 8/14/11	PTE 8/8/11	
DECIMALS XX ±.01 XXX ±.005	DECIMALS X ±0.3 XX ±0.13	TITLE		DWG. NO.	
ANGLES ± .5 DEGREES	ANGLES ± .5 DEGREES	OUTLINE DRAWING RUN DOWN ADAPTOR 1/2" SQ., 25-250 LB-FT CAP.		51027	
FILLETS AND RADII .015 MAX	FILLETS AND RADII 0.38 MAX			SCALE: 3/4	SHEET 1 OF 1