

2

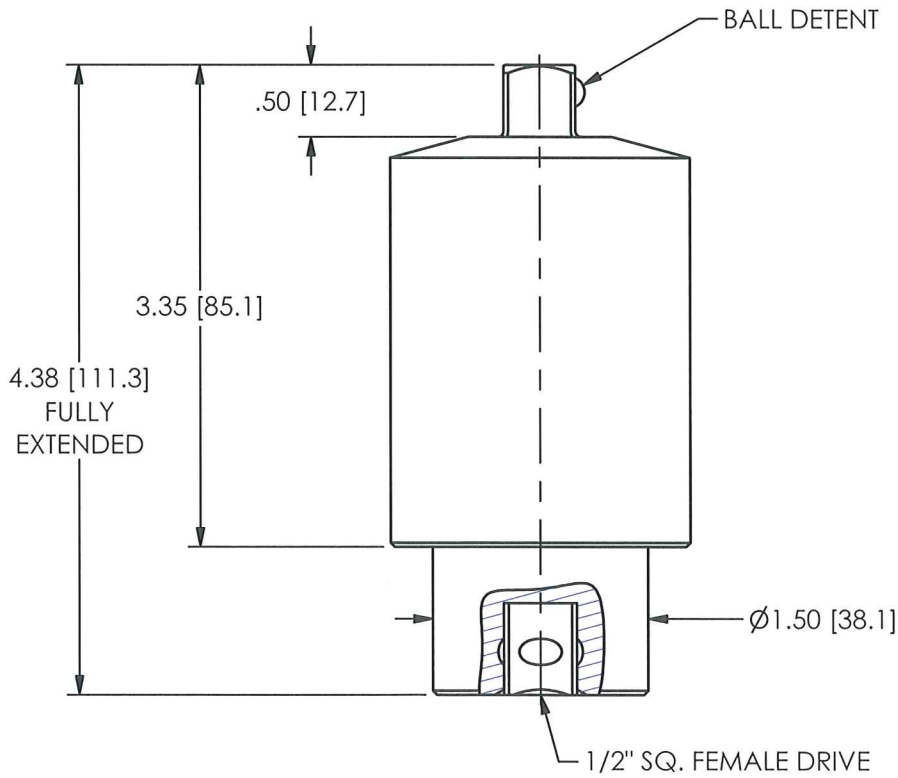
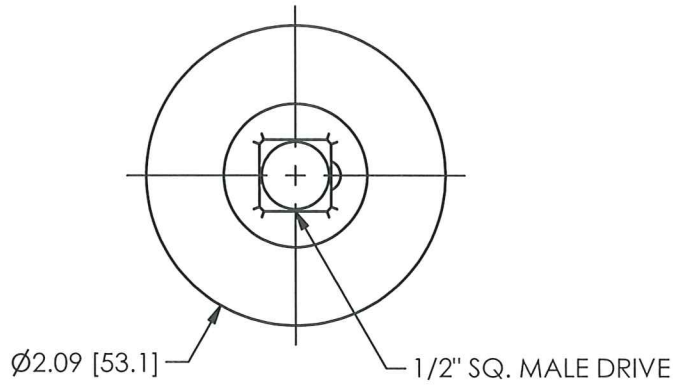
1

PCB Load & Torque Inc. claims proprietary rights in the information disclosed hereon. Neither it nor any reproduction thereof will be disclosed to others without the written consent of PCB Load and Torque Inc.

REVISIONS

REV	DESCRIPTION	ECO
NR	RELEASED TO DRAFTING	35469

45116



UNLESS OTHERWISE SPECIFIED TOLERANCES ARE:

DIMENSIONS IN INCHES

DIMENSIONS IN MILLIMETERS [IN BRACKETS]

DECIMALS XX ±.01
XXX ±.005

DECIMALS X ± 0.3
XX ± 0.13

ANGLES ± .5 DEGREES

ANGLES ± .5 DEGREES

FILLETS AND RADII
.015 MAX

FILLETS AND RADII
0.38 MAX

DRAWN	CHECKED	ENGINEER
<i>smj 8/6/11</i>	<i>jon 8/10/11</i>	PTE 8/8/11

TITLE
OUTLINE DRAWING
RUN DOWN ADAPTOR
1/2" SQ. DRIVE, 100ft-lb CAP.



24350 Indoplex Circle, Farmington Hills, MI 48335
(716) 684-0001 E-MAIL: llinfo@pcbloadtorque.com

DWG. NO.

45116

SCALE: 3/4

SHEET 1 OF 1

2

1

1