

2

1

PCB Load & Torque Inc. claims proprietary rights in the information disclosed hereon. Neither it nor any reproduction thereof will be disclosed to others without the written consent of PCB Load and Torque Inc.

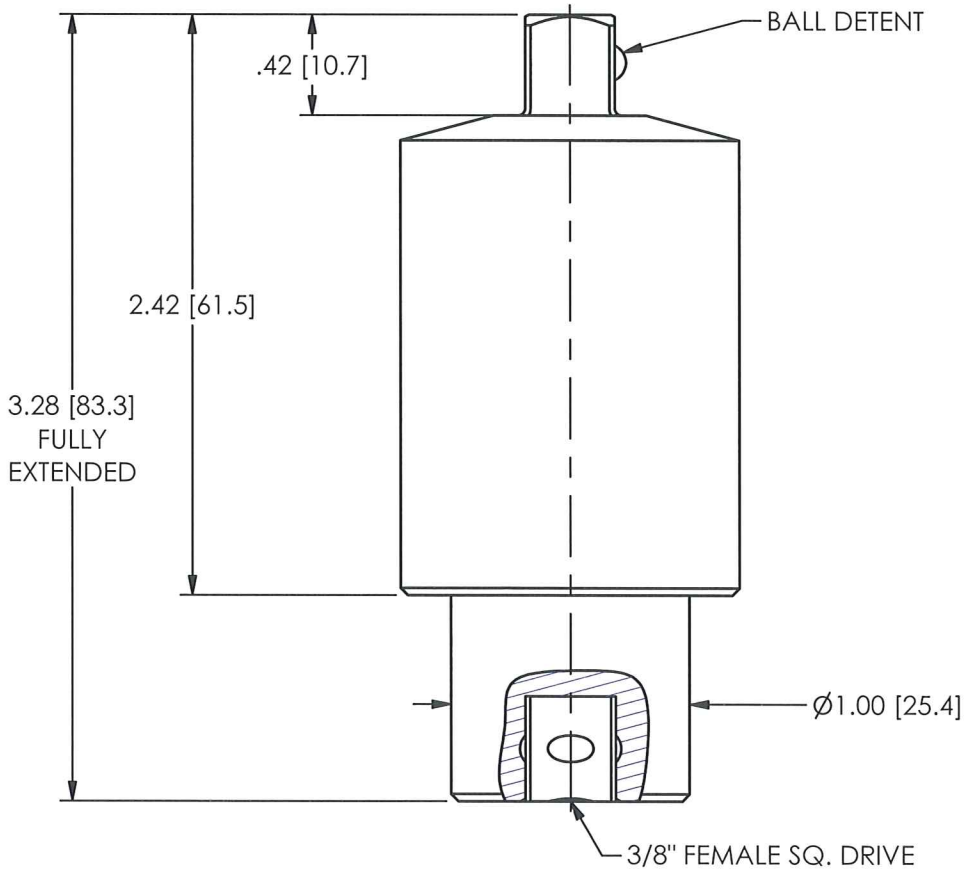
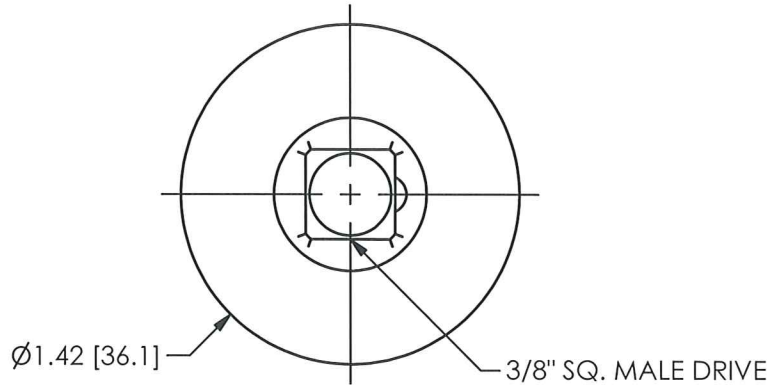
REVISIONS

REV	DESCRIPTION	ECO
NR	RELEASED TO DRAFTING	35469

45115

B

B



A

A

UNLESS OTHERWISE SPECIFIED TOLERANCES ARE:		DRAWN	CHECKED	ENGINEER	 PCB LOAD & TORQUE A PCB GROUP COMPANY 24350 Indoplex Circle, Farmington Hills, MI 48335 (716) 684-0001 E-MAIL: info@pcbloadtorque.com
DIMENSIONS IN INCHES	DIMENSIONS IN MILLIMETERS [IN BRACKETS]	<i>Sam B</i>	<i>John</i>	PTE 8/5/11	
DECIMALS XX ± 0.01 XXX ± 0.005	DECIMALS X ± 0.3 XX ± 0.13	TITLE OUTLINE DRAWING RUN DOWN ADAPTOR 3/8" SQ. DRIVE, 750in-lb & 50ft-lb CAP.			DWG. NO.
ANGLES $\pm .5$ DEGREES	ANGLES $\pm .5$ DEGREES				45115
FILLETS AND RADII .015 MAX	FILLETS AND RADII 0.38 MAX	SCALE: 1.25X			SHEET 1 OF 1

2

1