

2

1

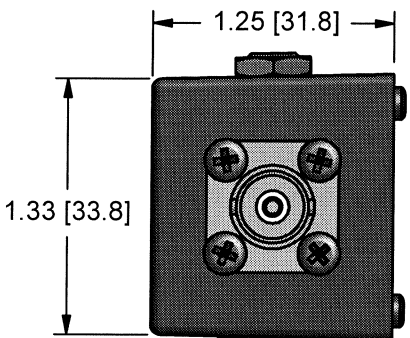
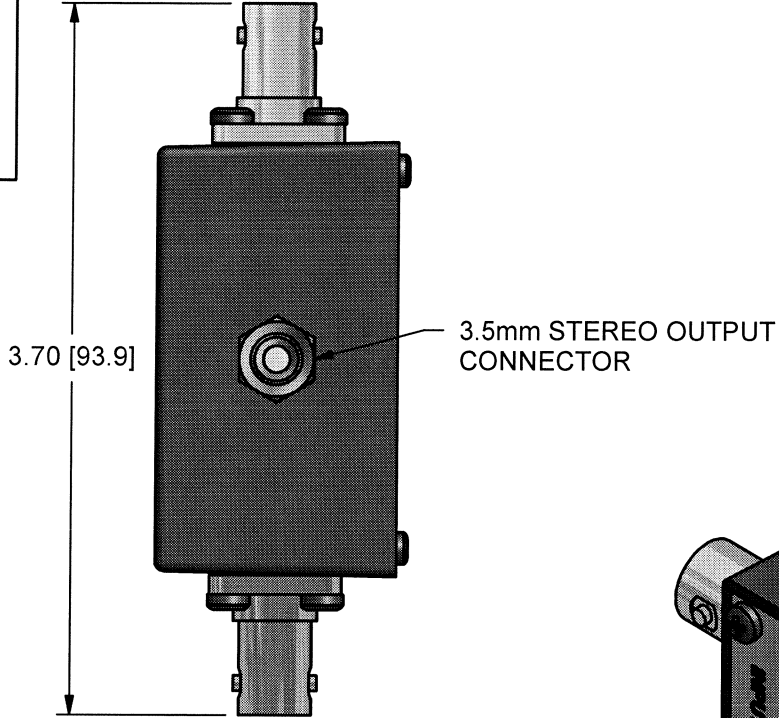
APPLICATION

REVISIONS

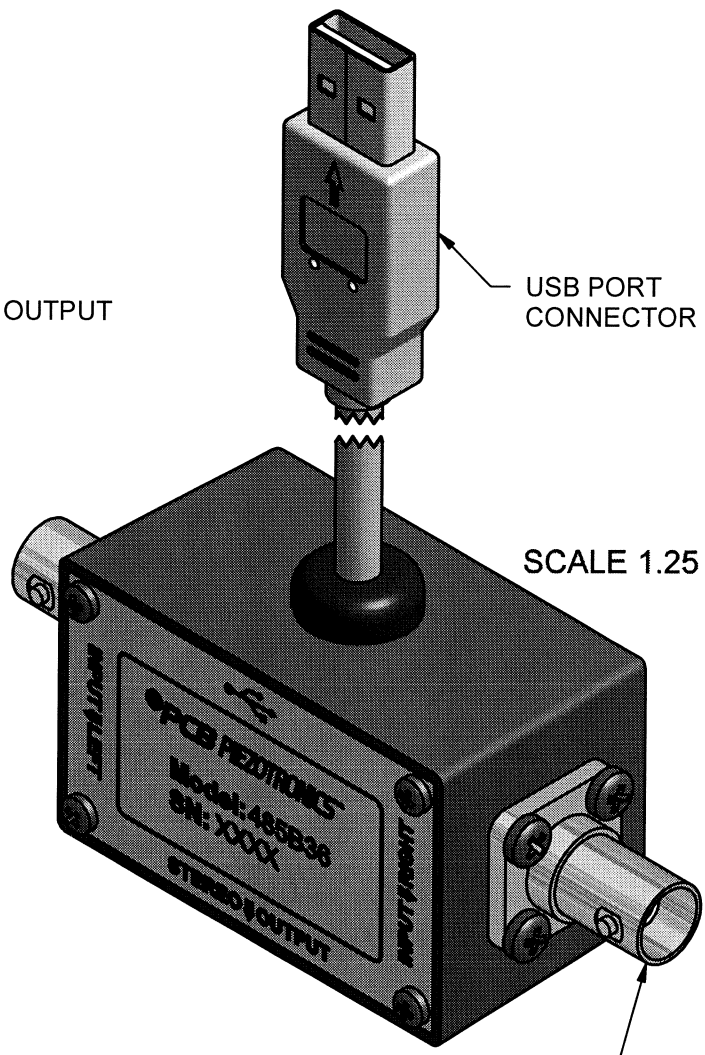
NEXT ASS'Y	USED ON	VAR

REV	DESCRIPTION	ECN	APP'D
A	REVISED PER ECN	22146	DM 6/05

29117



3.5mm STEREO OUTPUT CONNECTOR



UNLESS OTHERWISE SPECIFIED TOLERANCES ARE:

DIMENSIONS IN INCHES	DIMENSIONS IN MILLIMETERS [ IN BRACKETS ]
DECIMALS XX ± .03 XXX ± .010	DECIMALS X ± 0.8 XX ± 0.25
ANGLES ± 2 DEGREES	ANGLES ± 2 DEGREES

FILLETS AND RADII .003 - .005	FILLETS AND RADII [ 0.07 - 0.13 ]
----------------------------------	--------------------------------------

DRAWN	MDP 5/11/05	MFG	DJS 6/9/05
CHK'D	DM 6/9/05	ENGR	CLP 6/9/05
APP'D	3/10/05	SALES	VR 6/16/05

TITLE  
**OUTLINE DRAWING**  
**MODEL 485B36**  
**DUAL CHANNEL SIGNAL**  
**CONDITIONER**

**PCB PIEZOTRONICS**<sup>INC</sup>  
 3425 WALDEN AVE. DEPEW, NY 14043  
 (716) 684-0001 E-MAIL: sales@pcb.com

CODE IDENT. NO. 52681	DWG. NO. <b>29117</b>
SCALE: FULL	SHEET 1 OF 1

2

1

1