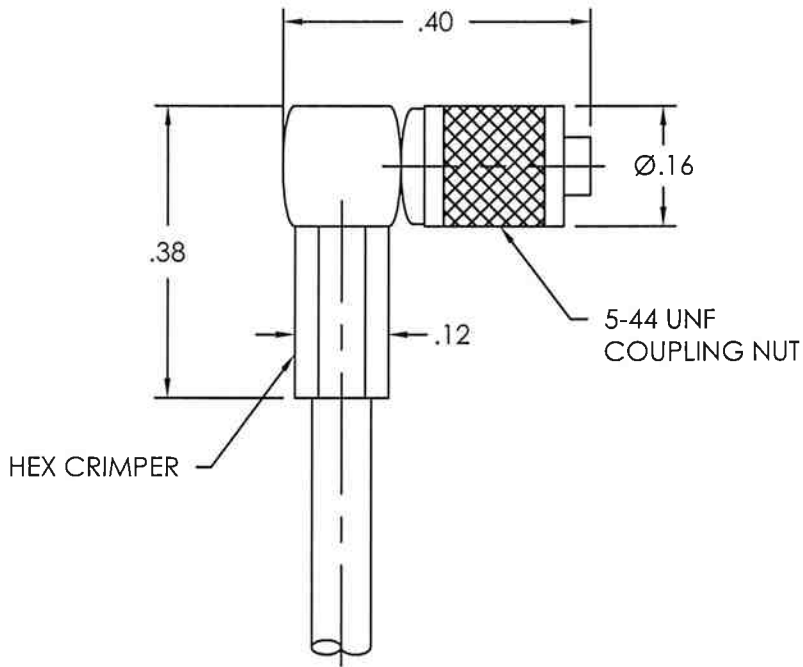


26473

PCB Piezotronics Inc. claims proprietary rights in the information disclosed hereon. Neither it nor any reproduction thereof will be disclosed to others without written consent of PCB Piezotronics Inc.

REVISIONS

REV	DESCRIPTION	ECN	APP'D
NR	RELEASED TO DRAFTING		DM 6/04
A	UPDATE DIMENSIONS	28534	ECB 5/08



UNLESS SPECIFIED TOLERANCES

DIMENSIONS IN INCHES	DIMENSIONS IN MILLIMETERS (IN BRACKETS)
DECIMALS XX ±.03	DECIMALS X ±0.8
XXX ±.010	XX ±0.25
ANGLES ±2 DEGREES	ANGLES ±2 DEGREES

DRAWN	ECB	5/19/08	MFG	BD	5/19/08
CHK'D	ECB	5/19/08	ENGR	BAM	5/19/08
APP'D	JB	5/19/08	SALES	RJL	5/19/08

**PCB PIEZOTRONICS**<sup>™</sup>  
 3425 WALDEN AVE. DEPEW, NY 14043  
 (716) 684-0001 EMAIL: SALES@PCB.COM

FILLETS AND RADII	FILLETS AND RADII
.003 - .005	[0.07 - 0.13]

TITLE  
 OUTLINE DRAWING  
 AF  
 CONNECTOR

CODE IDENT. NO.	DWG. NO.
52681	26473