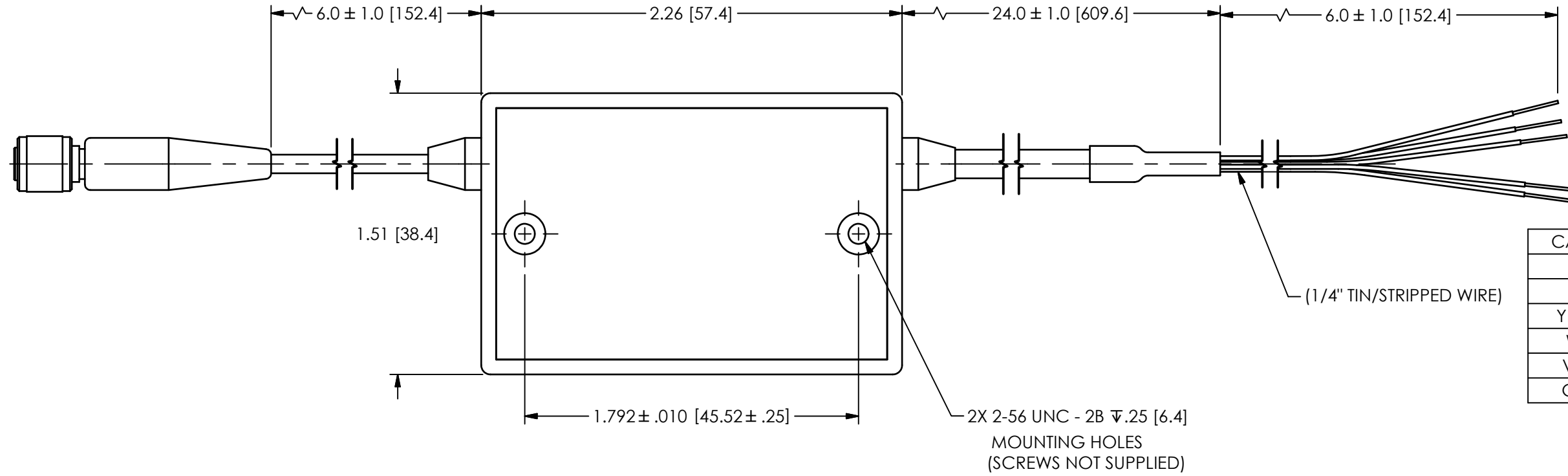


19469

PCB Piezotronics Inc. claims proprietary rights in the information disclosed hereon. Neither it nor any reproduction thereof will be disclosed to others without the written consent of PCB Piezotronics Inc.

REVISIONS		
REV	DESCRIPTION	DIN
A	UPDATED DIMENSIONS ON ENCLOSURE	49569



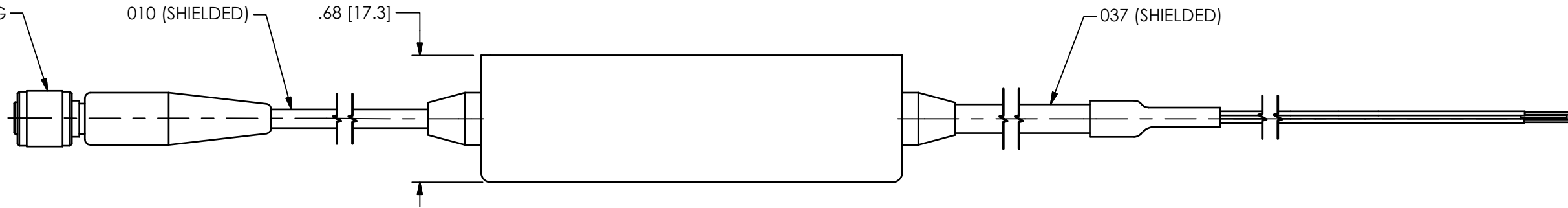
CABLE CONFIGURATION	
WIRE	DESCRIPTION
RED	OUT X
YELLOW	OUT Y
WHITE	OUT Z
VIOLET	+24V
GREEN	GND

"AY" 4-SOCKET PLUG (INPUT, TRIAX)

010 (SHIELDED)

.68 [17.3]

037 (SHIELDED)



UNLESS OTHERWISE SPECIFIED TOLERANCES ARE:		DRAWN		CHECKED		ENGINEER	
DIMENSIONS IN INCHES	DIMENSIONS IN MILLIMETERS [IN BRACKETS]	JES	6/6/19	JDM	6/6/19	CPH	6/6/19
DECIMALS XX ±.01 XXX ±.005	DECIMALS X ±.03 XX ±.013	TITLE INSTALLATION DRAWING MODEL 485M49 3 CHANNEL SIGNAL CONDITIONER					
ANGLES ± 2 DEGREES	ANGLES ± 2 DEGREES						
FILLETS AND RADII .003 - .005	FILLETS AND RADII 0.07 - 0.13	CODE IDENT. NO. 52681		DWG. NO. 19469		SCALE: 1.5X SHEET 1 OF 1	

**PCB PIEZOTRONICS™**

3425 WALDEN AVE. DEPEW, NY 14043  
(716) 684-0001 E-MAIL: sales@pcb.com