



MODELS

699A06 & 699A07

INDUSTRIAL PORTABLE VIBRATION CALIBRATOR



- Small and completely self-contained, ideal for field check of accelerometers, velocity transducers and proximity probes
- Ruggedized, weatherproof enclosure dramatically improves durability and portability
- Battery-powered unit offers extended life and enhanced protection against full discharge
- Precision quartz reference accelerometer and conditioning electronics for superior control and stability
- Rugged shaker element design with carbon fiber composite armature flexures
- Provides NIST traceable transducer verification across a wide frequency and amplitude range

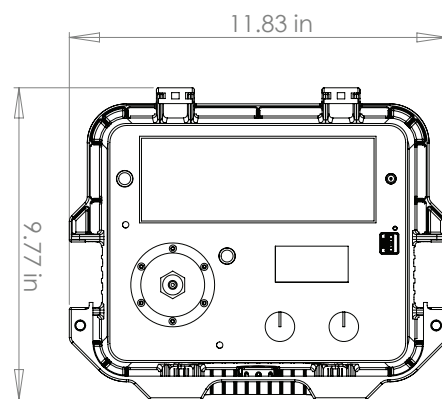
CALIBRATE AND CERTIFY ACCELEROMETERS, VELOCITY SENSORS AND PROXIMITY PROBES IN THE FIELD

Industrial Portable Vibration Calibrators (Models 699A06 and 699A07) are ideal to field-check accelerometers, velocity transducers and proximity probes over a wide operating frequency (5 Hz to 10 kHz) and amplitude range.

Calibrators are packaged in a ruggedized, weatherproof enclosure with two press and pull latches and padlockable clasps. With an integral quartz reference accelerometer, the shaker table is built with robust carbon fiber composite armature flexure supports.

SPECIFICATIONS		
Model Number	699A06	699A07
Performance		
Frequency Range (operating, 100g payload)	5 Hz to 10 kHz 300 to 600,000 cpm	
Maximum Amplitude Acceleration (100 Hz, no payload)	20 g pk 196 m/s ² pk	
Maximum Amplitude Velocity (100 Hz, no payload)	15 ips pk 380 mm/s pk	
Maximum Amplitude Displacement (100 Hz, no payload)	50 mils pk-pk 1.27 mm pk-pk	
Maximum Payload	28.2 oz 800 g	
Accuracy of Readout		
Acceleration (10 Hz to 10 kHz)	±3%	
Acceleration (5 Hz to 10 Hz)	±5%	
Velocity (10 Hz to 1000 Hz)	±3%	
Displacement (30 Hz to 150 Hz)	±3%	
Amplitude Linearity (100 g payload, 100 Hz)	<1% up to 10 g pk	
Waveform Distortion (100 g payload, 30 Hz to 2 kHz)	5% THD (typical) up to 5 g pk	
Units of Readout		
Acceleration (peak and RMS)	g m/s ²	
Velocity (peak and RMS)	ips mm/s	
Displacement (peak-to-peak)	mils µm	
Frequency	Hz cpm	
Test Sensor Sensitivity	N/A	mV/EU
Input/Output		
Test Sensor In	N/A	Voltage or ICP®
Bias Fault Indication (ICP® Sensors)	N/A	Yes
External Source In	1 VAC RMS	
Monitor Reference Out	10 mV/g (nominal) - Buffered internal reference output	
Memory		
Storage	N/A	Up to 500 calibration points
Points per Record	N/A	30 calibration data points
Sensor Information	N/A	Model number, serial number, mounting orientation (x, y, z), user notes
USB Port	N/A	Export flash drive (FAT32)
Export File Format	N/A	Comma-separated values (CSV)
Power Requirements		
Internal Battery Type	Sealed solid gel acid	
Internal Battery Power	12 VDC, 4 amp hours	
AC Power (for recharging battery)	11-240 V, 50-60 Hz	
Operating Battery Life (100 g payload, 100 Hz at 1 g pk)	18 hours	
Operating Battery Life (100 g payload, 100 Hz at 10 g pk)	1 hour	
Physical		
Dimensions (H x W x D)	8.5 x 12 x 10 in 22.0 x 30.5 x 28 cm	
Weight	18 lb 8.2 kg	
Sensor Mounting Platform Thread Size	1/4-28	
Operating Temperature Range	-32 to +122 °F 0 to +50 °C	

SPECIFICATIONS		
Model Number	699A06	699A07
Included Accessories		
Mounting Wrench	600A34	
Power Supply and Plug Adapters: 18 VDC, 1 A. Use with 100-240 VAC, 50/60 Hz power supply.	600A25	
1/4-28 to 1/4-28 Adapter	081B20	
1/4-28 to 10-32 Adapter	081A08	
Mounting Pad	080A118	
USB Flash Drive with Calibration Report Generation Worksheet	N/A	No Part Number
Optional Accessories		
Imperial Proximity Probe Adapter Kit: Supports probes with common threads ranging from M6 to 3/8". Includes Mitutoyo imperial micrometer & nickel plated 4140 steel target.	600B22	
Metric Proximity Probe Adapter Kit: Supports probes with common threads ranging from M6 to 3/8". Includes Mitutoyo metric micrometer & nickel plated 4140 steel target.	600B23	
Mounting Accessory Kit: Adapts calibrator for sensors with stud other than 1/4-28. Includes studs/inserts (1/4-28, 10-32, 6-32 and 5-40) and bases (for adhesive, magnetic and custom thread patterns).	600A24	
Replacement Battery	600A26	
Firmware Options		
Semi-Automation and Pass/Fail Notification	600A30	600A31
Modulated Current Sensors Power Supply & Measurement	N/A	600A33



3425 Walden Avenue, Depew, NY 14043-2495 USA

Toll-Free in the USA: 1 800 959 4464

Phone: 1 716 684 0003 | Email: imi@pcb.com

IMI Sensors, a division of PCB Piezotronics, Inc. manufactures industrial vibration monitoring instrumentation, such as accelerometers, vibration transmitters and switches that feature rugged stainless steel housings and survive in harsh environments like paper and steel mills, mines, gas turbines, water treatment facilities and power plants. Integrating with portable analyzers and PLC's, IMI instrumentation helps maintenance departments reduce downtime and protect critical machinery. Visit IMI Sensors at www.pcb.com. PCB Piezotronics, Inc. is a wholly owned subsidiary of MTS Systems Corporation. Additional information on MTS can be found at www.mts.com.

© 2019 PCB Piezotronics, Inc. In the interest of constant product improvement, specifications are subject to change without notice. PCB®, ICP®, Swiveler®, Modally Tuned®, and IMI® with associated logo are registered trademarks of PCB Piezotronics, Inc. in the United States. ICP® is a registered trademark of PCB Piezotronics Europe GmbH in Germany and other countries. UHT-12™ is a trademark of PCB Piezotronics, Inc. SensorLine™ is a service mark of PCB Piezotronics, Inc. SWIFT® is a registered trademark of MTS Systems Corporation in the United States.

IMI-VIB-699A07-0419



MTS Sensors, a division of MTS Systems Corporation (NASDAQ: MTSC), vastly expanded its range of products and solutions after MTS acquired PCB Piezotronics, Inc. in July, 2016. PCB Piezotronics, Inc. is a wholly owned subsidiary of MTS Systems Corp.; IMI Sensors and Larson Davis are divisions of PCB Piezotronics, Inc.; Accumetrics, Inc. and The Modal Shop, Inc. are subsidiaries of PCB Piezotronics, Inc.