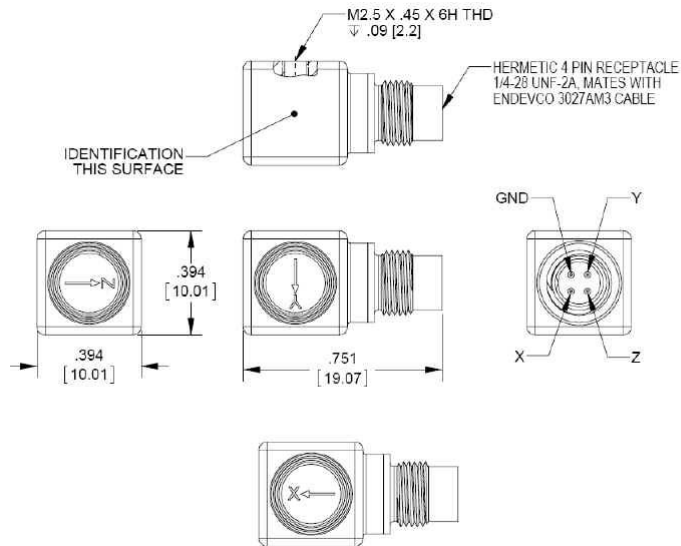


# Isotron<sup>®</sup> accelerometer

## Model 65HTLPF



### Key features

- Triaxial, low-impedance output with 2-pole low pass filter
- Rated for continuous use up to +175°C (347°F)
- Small size (10-mm cube, 5 gram)
- 65HTLPF-10-02-R and 65HTLPF-10-10-R available as replacement sensors

### Description

The Endevco<sup>®</sup> model 65HTLPF is a miniature IEPE high temperature (up to 175°C) triaxial accelerometer with 2-pole low-pass filter. The sensor is designed for use in test and measurement applications requiring both high temperature operation and effective attenuation of high-frequency, high-g signals that can obscure the required low-frequency information and also can cause saturation of electronics. Additionally, the low-pass filter provides resonance suppression. The model 65HTLPF is packaged in a 10 mm cube of welded titanium construction. Interface to the model 65HTLPF triaxial accelerometer is made via a side connector Microtech style 4-pin receptacle. Power to the sensor, in the form of a constant current, travels through the same pins as the low impedance output signals.

The model 65HTLPF-10 features a sensitivity of 10 mV/g. The model number's second suffix indicates the low-pass filter corner frequency at level -3dB. Two options are currently available, the model 65HTLPF-10-02 featuring a corner frequency of 2 kHz and the 65HTLPF-10-10 featuring a corner frequency of 10 kHz. Other corner frequencies are available upon request.

This product is fully compliant to the European Union's Low Voltage Directive, 2006/95/EC and EMC Directive 2004/108/EC and is eligible to bear the CE Mark.

# Isotron® accelerometer | Model 65HTLPPF

The following performance specifications conform to ISA-RP-37.2 (1964) and are typical values, referenced at +75°F (+24°C) and 100 Hz, unless otherwise noted. Calibration data, traceable to National Institute of Standards and Technology (NIST), is supplied.

Specifications				
Dynamic characteristics	Units	-10-02		-10-10
Range	g			±500
Voltage sensitivity				
Typical	mV/g			10
Tolerance	%			10
Frequency response		See typical amplitude response		
Amplitude response				
±5%	Hz	5 to 1000		5 to 5000
±1 dB	Hz	3 to 1400		3 to 7000
Resonance frequency	Hz		40 000	
Low-pass filter corner frequency (-3 dB)	kHz	2 ±0.2		10 ±1
Low-pass filter roll-off	dB/Octave		10-12.5	
Temperature response		See typical curve		
Sensitivity deviation		Positive absolute value <15% at -67°F (-55°C) [ref 77°F (25°C)]		
Sensitivity deviation		Negative absolute value <30% at +347°F (+175°C) [ref 77°C (25°C)]		
Transverse sensitivity	%			< 5
Amplitude linearity	%			< 1
Output characteristics				
Output polarity		See arrows on outline drawing		
DC output bias voltage [1]	Vdc	+9.5 to +13.5 at room temperature +8 to +16 over temperature range		
Output connection		See connection diagram		
Output impedance				
1 mA to 2 mA	Ω			< 300
3 mA to 4 mA	Ω			< 100
Full scale output	Vpk			±5
Saturation level at 5Vpk output				
100 Hz	gpk	500		500
1 kHz	gpk	500		500
2 kHz	gpk	≥ 700		500
5 kHz	gpk	≥ 5000		500
10 kHz	gpk	≥ 5000		≥ 700
40 kHz (resonance frequency)	gpk	≥ 350		≥ 800
Noise floor				
Broadband (0.1 Hz to 10 kHz)	μg rms			≤ 4000
Spectral:				
1 Hz	μg / √ Hz			≤ 1000
10 Hz	μg / √ Hz			≤ 170
100 Hz	μg / √ Hz	≤ 70		≤ 40
1 kHz	μg / √ Hz	≤ 70		≤ 40
Grounding		Signal ground connected to the case		
Power requirement				
Current requirement	mA			+1 to +4
Voltage supply	Vdc			+23 to +30
Warm-up time (time to reach 90% of final bias) sec				< 2
Environmental characteristics				
Temperature range		-67°F to +347°F (-55°C to +175°C)		
Humidity		Welded construction		
Sinusoidal vibration limit (without damage)	g pk			±5000
Shock limit (without damage) [2]	g pk			10 000
Base strain sensitivity at 250μ strain	eq. g/μstrain			< 0.001
Thermal transient sensitivity	eq. g/°F			0.02
Physical characteristics				
Dimensions		See outline drawing		
Weight	oz (gram)			0.17 (5)
Case material		Titanium, commercially pure Cp4		
Connector [3]		4-pin Microtech-style, side mounted		
Mounting [4]		Adhesive or M2.5 thread		
Mounting torque	in-lbf			8
Calibration				
Supplied, each axis:				
Sensitivity	mV/g			
Transverse sensitivity	%			
Frequency response	Hz	20 to 2200		20 to 11000

Accessories				
Options	Description	65HTLPF	65HTLPF-R	
3027AM3-36	Triaxial cable 85" C, 3 BNC's at instrumentation end [6]	Included	Optional	
3027AVM13-84	Extension cable, 84 inches, rated to +200°C (mates with 3027AM3) [5]	Included	Optional	
3027AVM13-XXX	Extension cable rated to +200°C (mates with 3027AM3) [5]. -XXX defines cable length in inches.	Optional	Optional	
32279	Mounting wax	Included	Optional	
EH755	Screw cap M2.5 x .45 x 6 mm	Included	Included	
EH761	Screw set M2.5 x .45 x 6 mm	Included	Included	
40965	Mounting block, adhesive mount	Optional	Optional	
EH769	Screw for 40965 mounting block	Optional	Optional	
41013	Mounting clip	Optional	Optional	
2981-14	Mounting stud, M2.5 to 6-32	Optional	Optional	
2793	Isotron signal conditioner	Optional	Optional	
4990A-1	OASIS 2000 computer controlled system	Optional	Optional	
2981-14	Adapter stud, M2.5 to 6-32	Optional	Optional	

## Notes

- +22 Vdc minimum must be available to the accelerometer to ensure full-scale operation at the temperature extremes.
- Shock pulses of short duration may excite sensor resonance. Shock level above the sinusoidal vibration limit may produce temporary zershift which will result in erroneous velocity or displacement data after integration.
- Microtech DR-4S-4 receptacle mates with Endevco® model 3027AM3 and 3027AVM13 cables
- Be careful not to apply excessive force when removing the accelerometer from structure. Hammer taps and wrench "snaps" often impart permanent damage to the case and internal sensors.
- The 3027AVM13 cable assembly should be used where the accelerometer is used near its upper temperature extreme, 347°F (175°C).
- 3027AM3 cable assembly should be used as a 185°F (85°C). extension cable for model 3027AVM13.
- Case isolation available as models 65HTLPMF1-10-02 and 65HTLPMF1-10-10. For these models, signal ground is connected to the case and isolated from the mounting surface.
- Maintain high levels of precision and accuracy using Endevco's factory calibration services. Call Endevco's inside sales force at 866-ENDEVCO for recommended intervals, pricing and turn-around time for these services as well as for quotations on our standard products.

