



Model 350A43

HIGH SHOCK ICP® TRIAXIAL ACCELEROMETER

- Mechanically isolated and electrically filtered
- Hermetically sealed sensing element for harsh environments
- Case isolated to avoid electrical noise and ground loops
- Eliminates the need for mounting three single axis sensors on a cube and uses a single shielded cable to simplify routing

Typical Applications

- Far-field and Mid-field Pyroshock
- Resonant Beam Excitation Monitoring
- High Shock Metal-to-Metal Impact



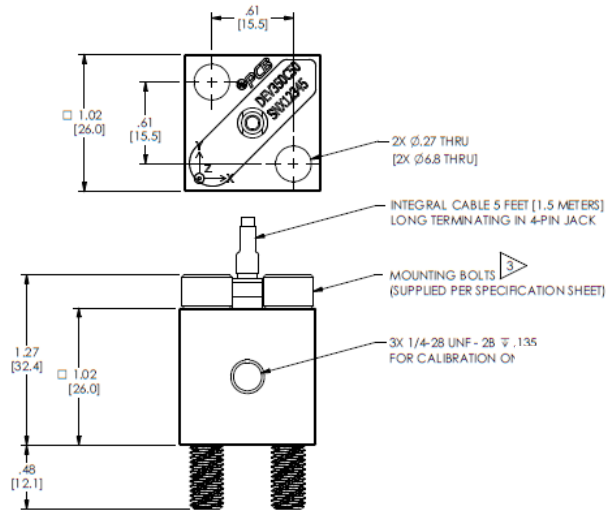
Model 350A43 is mechanically isolated, electronically filtered and hermetically sealed for harsh environments

Model 350A43 is a ceramic, case isolated ICP® shock accelerometer that is mechanically isolated, electrically filtered and hermetically sealed for harsh environments such as pyroshock. Mechanical isolation limits the passage of high frequency signals into the sensing element. This ICP® shock accelerometer has an electrical second order LP filter between the sensing crystal and the ICP® amplifier, avoiding amplifier saturation and extending useful frequency response.

CE



SPECIFICATIONS		
	English:	SI:
Performance		
Sensitivity (±30 %)	0.5 mV/g	0.05 mV/(m/s ²)
Measurement Range	±10000 g pk	±98000 m/s ² pk
Frequency Range (±1 dB)	0.4 to 10000 Hz	0.4 to 10000 Hz
Frequency Range (-3 dB)	0.2 to 25000 Hz	0.2 to 25000 Hz
Resonant Frequency	>50 kHz	>50 kHz
Electrical Filter Corner Frequency (3 dB)	21 kHz	21 kHz
Mechanical Filter Resonant Frequency	35 kHz	35 kHz
Broadband Resolution (1 to 10000 Hz)	0.04 g rms	0.39 m/s ² rms
Non-Linearity	≤2.0 %	≤2.0 %
Transverse Sensitivity	≤7 %	≤7 %
Environmental		
Overload Limit (Shock)	±50000 g pk	±490000 m/s ² pk
Temperature Range (Operating)	0 to +150 °F	-18 to +66 °C
Temperature Range (Storage)	-40 to +200 °F	-40 to +93 °C
Base Strain Sensitivity	0.002 g/μϵ	0.02 (m/s ²)/μϵ
Electrical		
Excitation Voltage	20 to 30 VDC	20 to 30 VDC
Constant Current Excitation	2 to 20 mA	2 to 20 mA
Output Impedance	≤200 Ohm	≤200 Ohm
Output Bias Voltage	8 to 14 VDC	8 to 14 VDC
Discharge Time Constant	1.0 to 2.0 sec	1.0 to 2.0 sec
Settling Time (within 10% of bias)	<10 sec	<10 sec
Electrical Isolation (Base)	1E8 Ohm	1E8 Ohm
Physical		
Sensing Element	Ceramic	Ceramic
Sensing Geometry	Shear	Shear
Housing Material	Titanium	Titanium
Sealing	Hermetic	Hermetic
Size - Height	1.02 in	26.0 mm
Size - Length	1.02 in	26.0 mm
Size - Width	1.02 in	26.0 mm
Weight (without cable)	2.20 oz	62.5 g
Electrical Connector	Integral Cable	Integral Cable
Electrical Connection Position	Side	Side
Cable Termination	1/4-28 4-Pin Jack	1/4-28 4-Pin Jack
Cable Length	5.0 ft	1.52 m
Cable Type	034 4-cond Shielded	034 4-cond Shielded
Mounting	Through Hole	Through Hole



Model 350A43 is provided with two calibrations in accordance with MIL-STD-810, change notice 1:

- Amplitude response calibration for shock accelerometer, 100 Hz to upper 1 dB frequency, max 15 kHz (ISO 17025)
- High-G verification using Hopkinson bar to max g range, NIST traceable



www.PCB.com

3425 Walden Avenue, Depew, NY 14043-2495 USA

Toll-Free in the USA: 866-816-8892 | 24-hour SensorLineSM: 716-684-0001

Fax: 716-684-0987 | Email: aerosales@pcb.com

PCB PIEZOTRONICS, INC. is a designer, manufacturer, and global supplier of accelerometers, microphones, force, torque, load, strain, and pressure sensors, as well as the pioneer of ICP® technology. This instrumentation is used for test, measurement, monitoring, and control requirements in automotive, aerospace, industrial, R&D, military, educational, commercial, OEM applications, and more. Our Platinum Stock Sensors program ensures fast shipment of over 10,000 sensors that are covered by a Lifetime Warranty. With a support team of Customer Service Representatives and Application Engineers, PCB® proudly stands behind their products with the services you value most, including 24-hour technical support, a global distribution network, and the industry's only commitment **Total Customer Satisfaction**. Visit us at www.pcb.com for more information.