



# High Temperature Charge Output Accelerometer

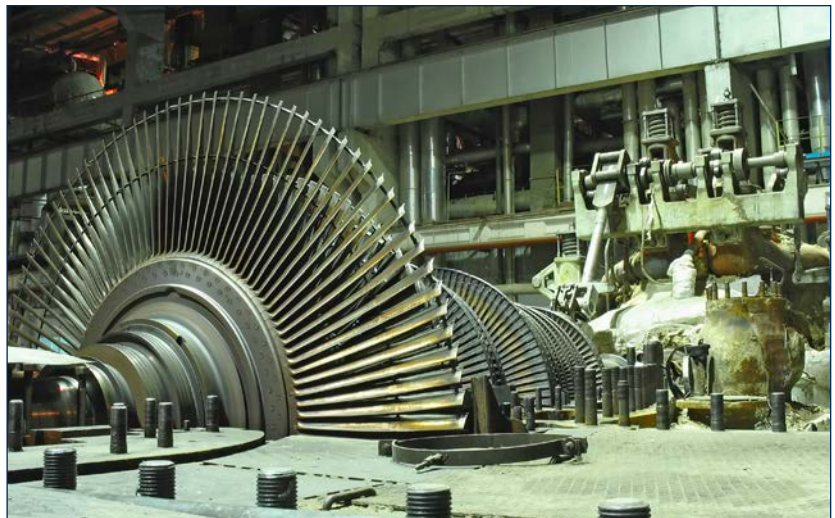
Designed to withstand application challenges of extreme heat environments such as gas turbines and nuclear power plants

## Highlights

- Featuring shear mode sensing element vs. compression mode
- Less sensitivity to thermal transients
- Extended temperature survivability range to 1200 °F (650 °C)
- Warranty, pricing, lead time, and height advantage over the competition
- Hazardous location approvals

## Typical Applications

- Gas Turbine Bearing Health Monitoring
- Commissioning of Nuclear Power Plants
- Condition Monitoring of Power Generation Turbines
- Machinery Protection in Extremely High Temperature Environments
- Turbine Health Management
- Structural Damages on Gas Turbines



IMI® has developed this new High Temperature Charge Mode Accelerometer Model EX611A00 to be used in various gas turbine applications such as bearing health monitoring, condition monitoring, and structural damages monitoring. Other applications include commissioning of nuclear power plants. The new model extends temperature survivability range to 1200 °F (650 °C) in an industrial housing. The unit comes standard with a 10 foot (3 meter) integral hard-line cable terminating in a 2 pin 7/16-27 connector, but other cable lengths and terminating connectors are available (LEMO connector).

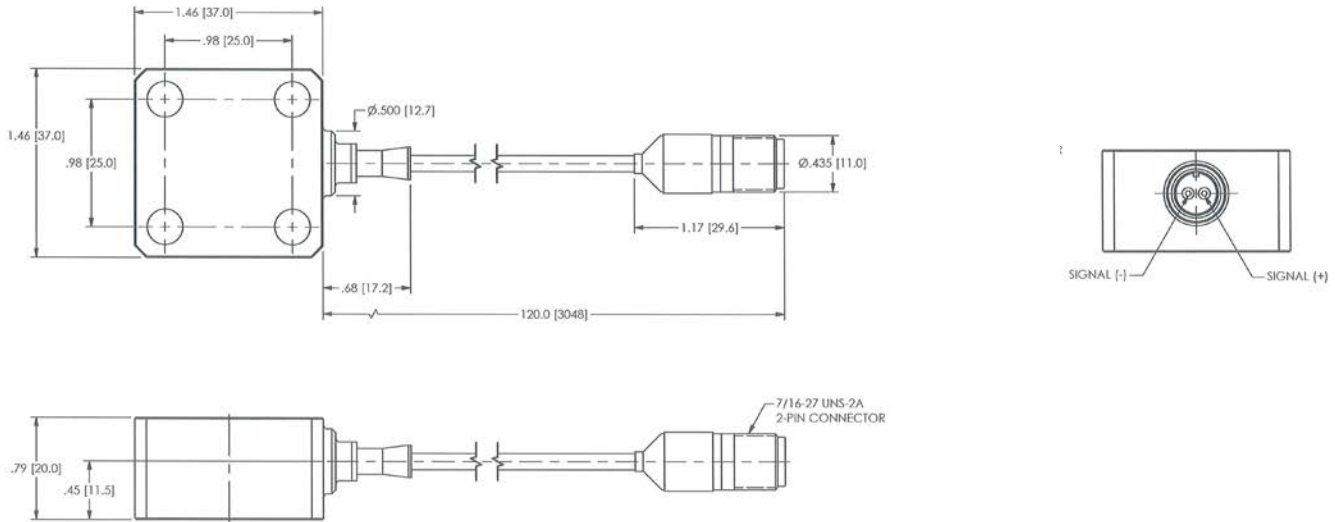
 **1200°F**  
(649 °C)



**Series EX611A00**  
High temperature  
charge mode accelerometer



# High Temperature Charge Output Accelerometer



## Technical Specifications

Model Number	EX611A00	Model Number	EX611A00
<b>Performance</b>		<b>Physical</b>	
Sensitivity (± 5 %)	10 pC/g 1.02 pC/(m/s <sup>2</sup> )	Sensing Element	Single Crystal
Measurement Range	± 200 g pk ± 1962 m/s <sup>2</sup> pk	Sensing Geometry	Shear
Frequency Range (± 5 %)	2.8 kHz [4]	Housing Material	Inconel
Frequency Range (± 10 %)	3.7 kHz [4]	Sealing	Hermetic
Resonant Frequency	>17 kHz [1]	Size (Height x Length x Width)	.787 in x 1.465 in x 1.456 in 20 mm x 37 mm x 37 mm
Non-Linearity	≤ 1 % [5]	Weight (without cable)	6.3 oz 180 gm [1]
Transverse Sensitivity	≤ 5 % [6]	Electrical Connector	7/16-27 2-Pin
<b>Environmental</b>		Electrical Connection Position	Side
Overload Limit (Shock)	± 500 g pk ± 4905 m/s <sup>2</sup> pk	Cable Length	10 ft 3 m
Temperature Range	-65 to +1200 °F -54 to +650 °C [2]	Cable Type	MI Hardline Cable
Temperature Range	-165 to +1300 °F -109 to +704 °C [3]	Mounting	Through Hole
Base Strain Sensitivity	0.033 g/με 0.32 (m/s <sup>2</sup> )/με [1]	<b>Notes</b>	
Radiation Exposure Limit (Integrated Neutron Flux)	1 E10 N/cm <sup>2</sup>	[1] Typical.	
Radiation Exposure Limit (Integrated Gamma Flux)	1 E8 rad	[2] Continuous	
Hazardous Area Approval	Ex ia IIC T6 ... T 710°C Ga	[3] Extreme	
Hazardous Area Approval	IECEx Ex ia IIC T6 ... T 710°C Ga	[4] Low frequency response is determined by external signal conditioning electronics.	
<b>Electrical</b>		[5] Zero-based, least-squares, straight line method.	
Capacitance(Pin to Pin)	250 pF [1]	[6] Transverse sensitivity is typically ≤ 3%.	
Capacitance(Pin to Case)	110 pF [1]	[7] See PCB Declaration of Conformance PS122 for details.	
Insulation Resistance(Pin to Case 70 °F)	>10 <sup>9</sup> Ohm [1]		
Insulation Resistance(Pin to Pin 70 °F)	>10 <sup>9</sup> Ohm		
Output Polarity	Differential		



3425 Walden Avenue, Depew, NY 14043-2495 USA

**Toll-Free in the USA 800-959-4464**

**24-hour SensorLine<sup>SM</sup> 716-684-0003**

**Fax 716-684-3823 ■ Email imi@pcb.com**

**Website www.pcb.com/imi-sensors**

**ISO 9001 CERTIFIED ■ A2LA ACCREDITED to ISO 17025**

© 2018 PCB Piezotronics, Inc. In the interest of constant product improvement, specifications are subject to change without notice. PCB<sup>®</sup>, ICP<sup>®</sup>, Swiveler<sup>®</sup>, Modally Tuned<sup>®</sup>, and IMI<sup>®</sup> with associated logo are registered trademarks of PCB Piezotronics, Inc. in the United States. ICP<sup>®</sup> is a registered trademark of PCB Piezotronics Europe GmbH in Germany and other countries. SensorLine<sup>SM</sup> is a servicemark of PCB Piezotronics, Inc. PCB Piezotronics, Inc. was acquired by MTS Systems Corporation in 2016 and merged with its sensors division – MTS Sensors.

IMI-EX611A00-0318

Printed in U.S.A.



**IMI Sensors**, a division of PCB Piezotronics, Inc. manufactures industrial vibration monitoring instrumentation, such as accelerometers, vibration transmitters and switches that feature rugged stainless steel housings and survive in harsh environments like paper and steel mills, mines, gas turbines, water treatment facilities and power plants. Integrating with portable analyzers and PLC's, IMI instrumentation helps maintenance departments reduce downtime and protect critical machinery. Visit IMI Sensors at [www.pcb.com](http://www.pcb.com). PCB Piezotronics, Inc. is a wholly owned subsidiary of MTS Systems Corporation. Additional information on MTS can be found at [www.mts.com](http://www.mts.com).

Visit [www.pcb.com](http://www.pcb.com) to locate your nearest sales office