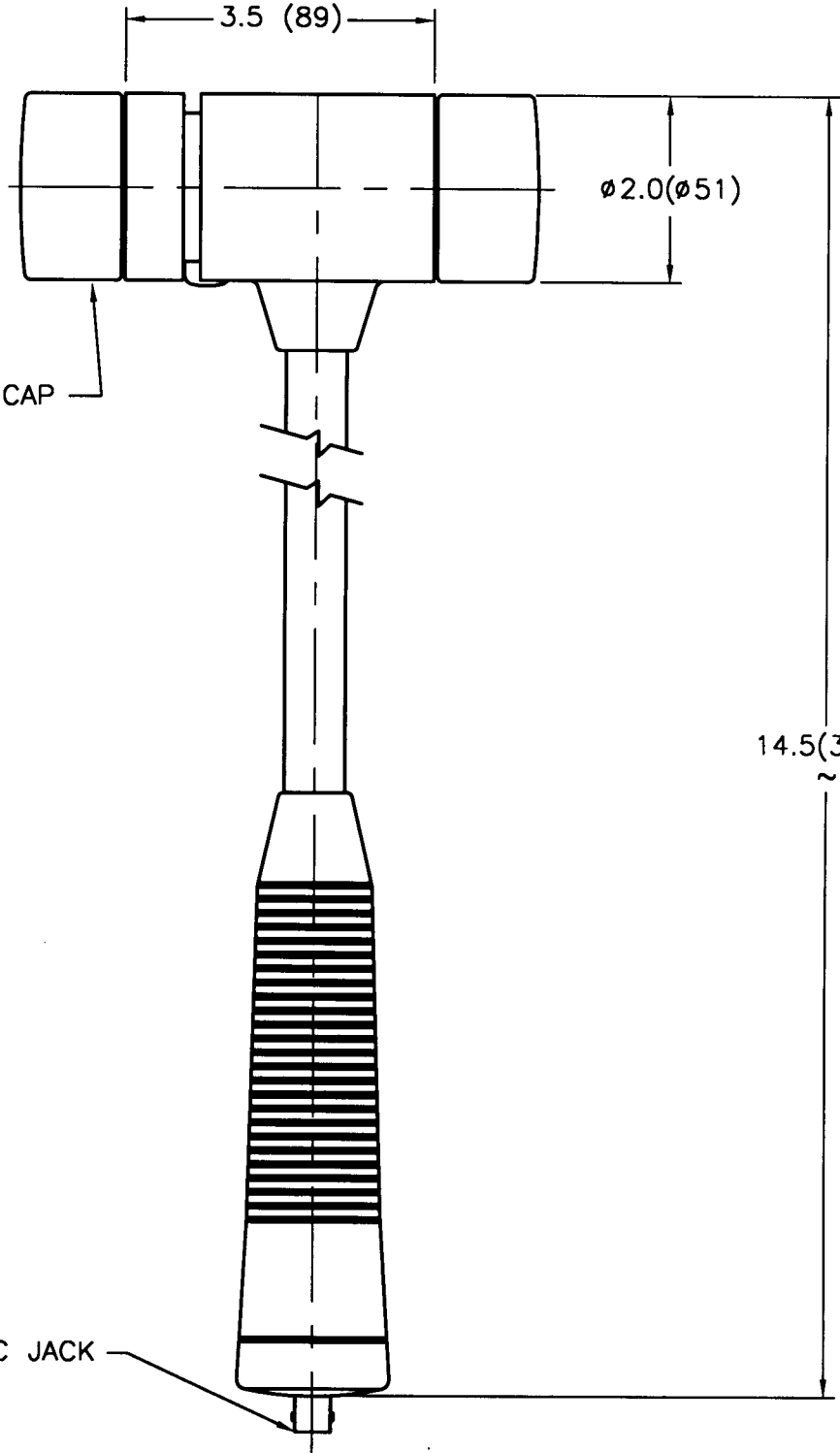


2610

PCB Piezotronics Inc. claims proprietary rights in the information disclosed hereon. Neither it nor any reproduction thereof will be disclosed to others without written consent of PCB Piezotronics Inc.

APPLICATION		
NEXT ASS'Y	USED ON	VAR

REVISIONS				
REV	DESCRIPTION	ECN	DATE	APP'D
A	CHANGE HEAD AND HANDLE	11358	1/19/00	<i>DMJ/c</i>



REMOVEABLE IMPACT CAP
TYPICAL EACH END

BNC JACK

UNLESS SPECIFIED TOLERANCES		DRAWN	DATE	MFG	DATE	PCB PIEZOTRONICS™ 3425 WALDEN AVE. DEPEW, NY 14043 (716) 684-0001 EMAIL: SALES@PCB.COM	
DIMENSIONS IN INCHES	DIMENSIONS IN MILLIMETERS (IN PARENTHESES)	<i>DMJ</i>	<i>2/23/00</i>	<i>AK</i>	<i>2/24/00</i>		CODE IDENT. NO. 52681
DECIMALS XX ±.01 XXX ±.005	DECIMALS XX ±0.3 XXX ±0.13	<i>DMJ</i>	<i>2/24/00</i>	<i>AK</i>	<i>2/24/00</i>	DWG. NO. 2610	
ANGLES ±2 DEGREES	ANGLES ±2 DEGREES	<i>DMJ</i>	<i>2/24/00</i>	<i>SL</i>	<i>2/24/00</i>		SCALE: 1/2
FILLETS AND RADII .003 - .005	FILLETS AND RADII (0.07 - 0.13)	TITLE OUTLINE DRAWING MODEL 086C41 IMPULSE HAMMER				SHEET 1 OF 1	
DD011 REV. B 03/13/98							