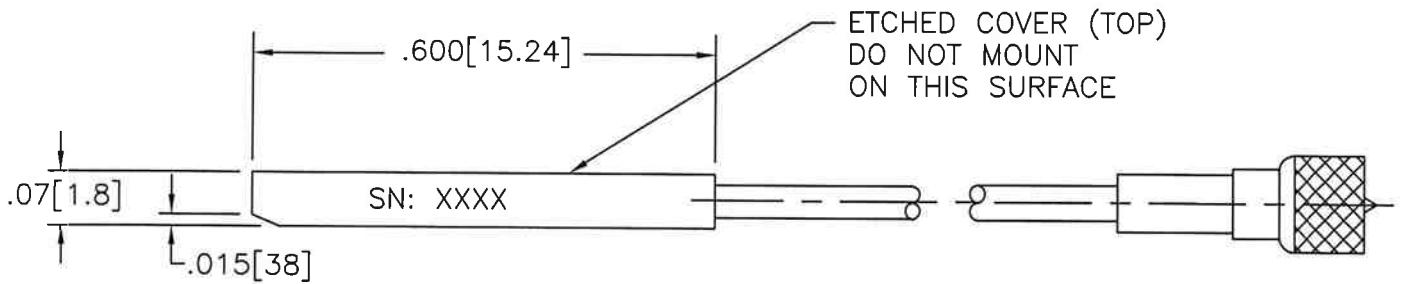
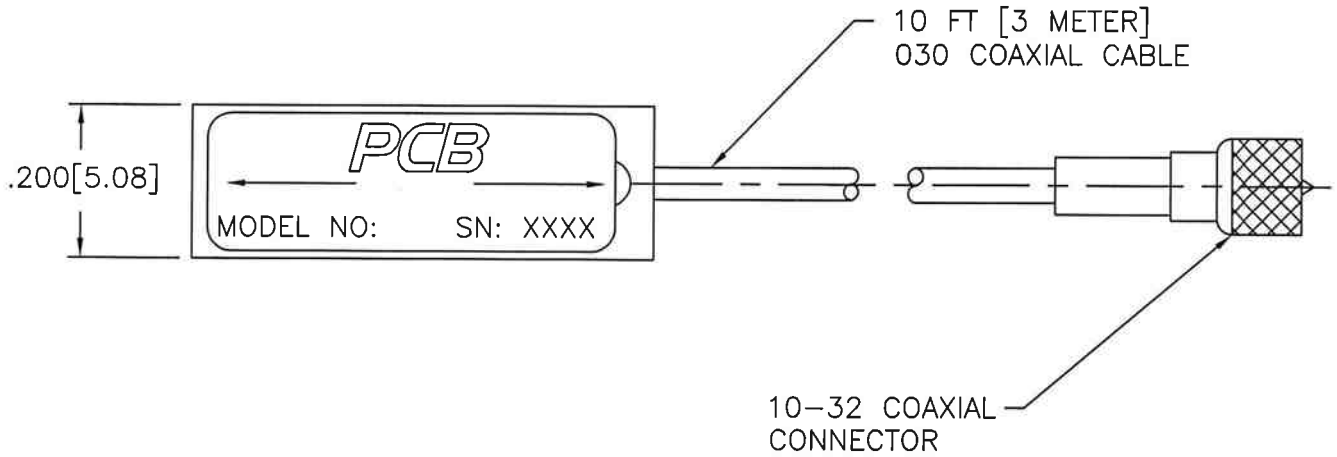


PCB Piezotronics Inc. claims proprietary rights in the information disclosed hereon. Neither it nor any reproduction thereof will be disclosed to others without written consent of PCB Piezotronics Inc.

REVISIONS

REV	DESCRIPTION	ECN	APP'D
B	UPDATED TO SHOW ETCHING	14985	DM 3/02
C	REMOVE MODEL NO. FROM CABLE	28295	MDF 3/08

9600



UNLESS SPECIFIED TOLERANCES

DIMENSIONS IN INCHES	DIMENSIONS IN MILLIMETERS [IN BRACKETS]
DECIMALS XX $\pm .03$ XXX $\pm .010$	DECIMALS X ± 0.8 XX ± 0.25
ANGLES ± 2 DEGREES	ANGLES ± 2 DEGREES
FILLETS AND RADII .003 - .005	FILLETS AND RADII [0.07 - 0.13]

DRAWN	MDF	3/3/08	MFG	DC	3/3/08
CHK'D	MDF	3/3/08	ENGR	BM	3/3/08
APP'D	EB	3/3/08	SALES	RL	3/3/08

PCB PIEZOTRONICS^{INC}
 3425 WALDEN AVE. DEPEW, NY 14043
 (716) 684-0001 EMAIL: SALES@PCB.COM

TITLE
 OUTLINE DRAWING
 MODEL 740 SERIES
 LOW PROFILE STRAIN GAUGE

CODE IDENT. NO. 52681
 DWG. NO. 9600
 SCALE: 4X SHEET 1 OF 1