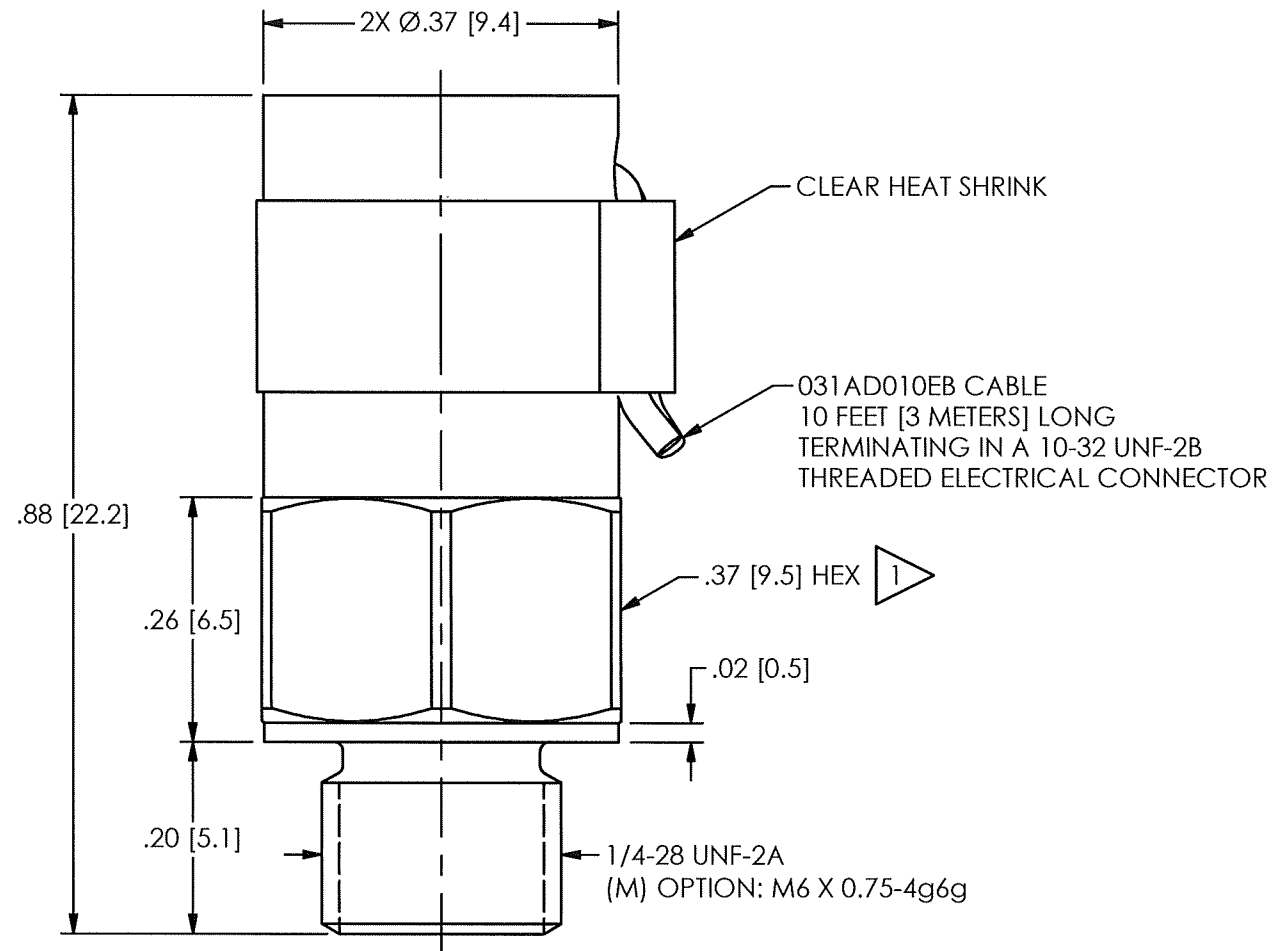


PCB Piezotronics Inc. claims proprietary rights in the information disclosed hereon. Neither it nor any reproduction thereof will be disclosed to others without the written consent of PCB Piezotronics Inc.

52261

REVISIONS

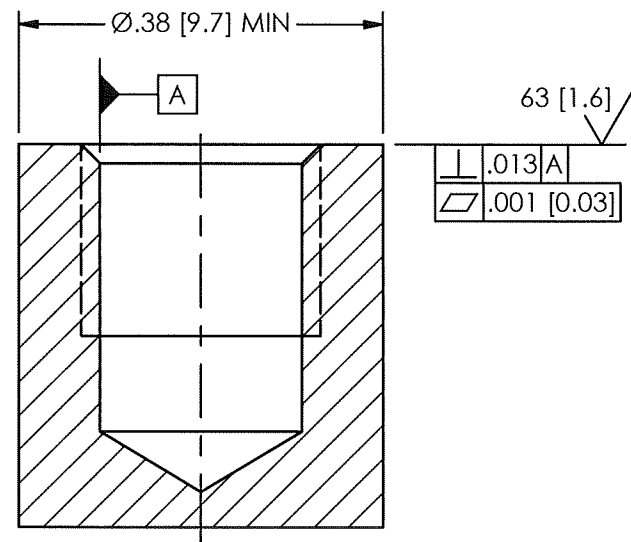
REV	DESCRIPTION	DIN
B	REMOVED NOTE 2	40169



PIN OUTS		
FUNCTION	031	EB
SIGNAL/POWER	RED	CENTER PIN
GROUND	WHITE	SHELL
CASE	N/A	N/A

MOUNTING HOLE PREPARATION
 Ø.22 [5.4] ∇ .30 [7.6] MIN
 1/4-28 UNF-3B ∇ .20 [5.1] MIN

(M) OPTION
 Ø.21 [5.9] ∇ .30 [7.6] MIN
 M6 X 0.75-6H ∇ .20 [5.1] MIN



1 RECOMMENDED MOUNTING TORQUE ON .37 [.95] HEX 2.5-4 FOOT POUNDS [2.8-3.4 Nm].

UNLESS OTHERWISE SPECIFIED TOLERANCES ARE:		DRAWN		CHECKED		ENGINEER	
DIMENSIONS IN INCHES	DIMENSIONS IN MILLIMETERS [IN BRACKETS]	JDM	11/8/12	gm	11/8/12	DORT	11/8/12
DECIMALS XX ±.01 XXX ±.005	DECIMALS X ±.3 XX ±.13	TITLE INSTALLATION DRAWING MECHANICALLY FILTERED SHOCK ACCELEROMETER					
ANGLES ± 2 DEGREES	ANGLES ± 2 DEGREES						
FILLETS AND RADII .003 - .005	FILLETS AND RADII 0.07 - 0.13	CODE IDENT. NO. 52681		DWG. NO. 52261		SCALE: 5X SHEET 1 OF 1	

PCB PIEZOTRONICS INC.
 3425 WALDEN AVE. DEPEW, NY 14043
 (716) 684-0001 E-MAIL: sales@pcb.com