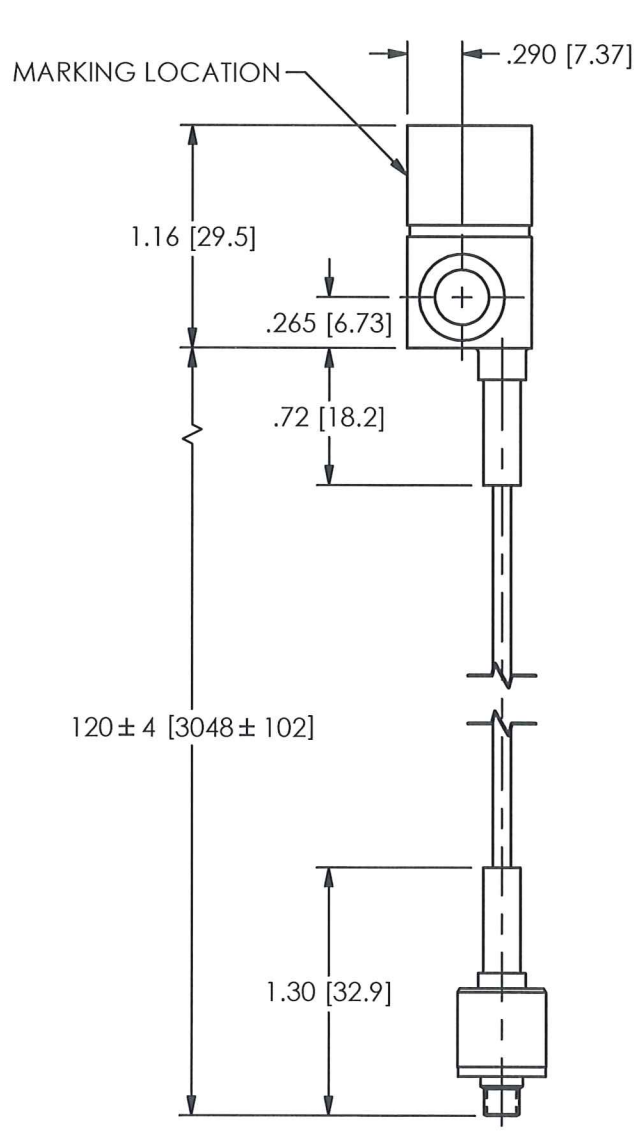
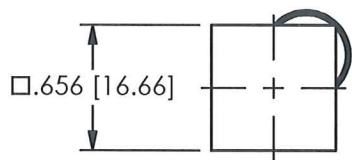


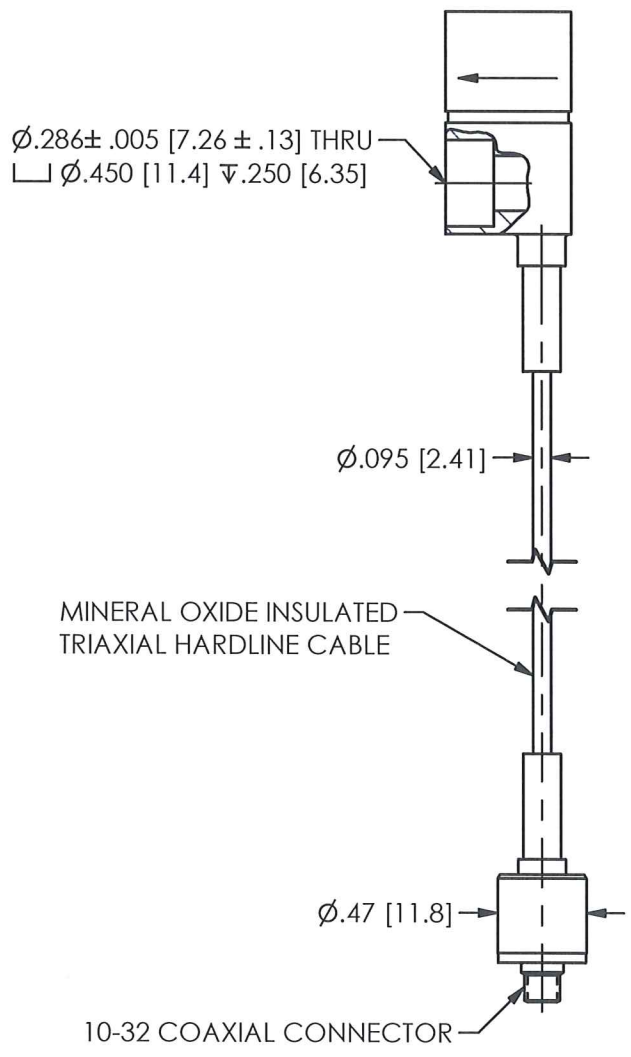
50848

PCB Piezotronics Inc. claims proprietary rights in the information disclosed hereon. Neither it nor any reproduction thereof will be disclosed to others without the written consent of PCB Piezotronics Inc.

REVISIONS		
REV	DESCRIPTION	DIN
A	UPDATE DIMENSIONS	37921



DIRECTION OF ACCELERATION TO PROVIDE A NEGATIVE SIGNAL



MINERAL OXIDE INSULATED TRIAXIAL HARDLINE CABLE

1.) CABLE MINIMUM BEND RADIUS: .25 [6.35]

UNLESS OTHERWISE SPECIFIED TOLERANCES ARE:		DRAWN	CHECKED	ENGINEER	
DIMENSIONS IN INCHES	DIMENSIONS IN MILLIMETERS [IN BRACKETS]	<i>MDP</i> 12/21/11	<i>JPM</i> 12/21/11	SWP	12/21/11
DECIMALS XX ± .03 XXX ± .010	DECIMALS X ± 0.8 XX ± 0.25	TITLE OUTLINE DRAWING MODEL 357D90 ACCELEROMETER			
ANGLES ± 2 DEGREES	ANGLES ± 2 DEGREES				
FILLET AND RADII .003 - .005	FILLET AND RADII 0.07 - 0.13			3425 WALDEN AVE. DEPEW, NY 14043 (716) 684-0001 E-MAIL: sales@pcb.com	
		CODE IDENT. NO. 52681		DWG. NO. 50848	
		SCALE: FULL		SHEET 1 OF 1	

2

1